



1191026IDL/06.11



## Consumer Helpline

### Australia

Phone: 1800 126 659

Fax: 1800 007 289

### New Zealand

Phone: 0508 200 300


Fax: 0508 200 301

[www.delonghi.com.au](http://www.delonghi.com.au)

[www.delonghi.co.nz](http://www.delonghi.co.nz)

De' Longhi New Zealand Limited  
P.O. BOX 58-056 Botany  
MANUKAU 2163

De'Longhi Australia Pty Limited  
P.O. BOX 4540  
CASULA MALL NSW 2170

 is a registered Trademark  
of De'Longhi Australia Pty Ltd.  
ABN 49 104 012 857.

© 2009 De'Longhi Australia Pty Ltd.

PN:261800308394

## De'Longhi Built-in Multifunction Combination Oven/Microwave

Model  
DE60COMBI



## USER GUIDE

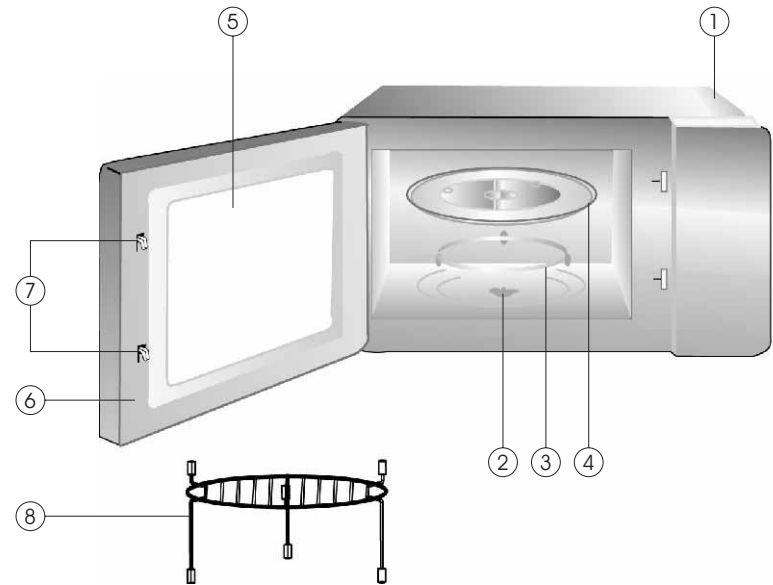
Please read this user guide carefully and retain for future reference

# Contents

Parts and Features . . . . .	03
De'Longhi's Safety Precautions . . . . .	04
Combi Oven Safety Precautions . . . . .	05
Installation Safety Precautions . . . . .	08
Installation . . . . .	09
- Turntable Installation	
- Countertop Installation	
- Built-in Cabinet Installation	
Using your Combi Oven . . . . .	12
- Utensils	
- Materials you can use in the Microwave	
- Materials to be avoided in the Microwave	
<u>Operating Instructions</u>	
- Clock setting	
- Microwave cooking	
- Microwave Power Chart	
- Grill Cooking	
- Combination Cooking	
- Convection Cooking (with pre-heating function)	
- Convection Cooking (Without pre-heating function)	
- Multi-stage Cooking	
- Pre-Set Function	
- Auto Menu	
- Defrost W.T.	
- Defrost by Time	
- Speedy Cooking	
- Speedy Microwave Cooking	
- Inquiring Function	
- Lock-out Function for Children	
- Explanation of alerts	
Care and Cleaning . . . . .	18
Troubleshooting . . . . .	19
Help us Help You . . . . .	20
Warranty Information . . . . .	21

# Parts and Features

Model: DE60COMBI



**Components:**

- 1. Control Panel
- 2. Turntable Shaft
- 3. Turntable Ring Assembly
- 4. Glass Tray
- 5. Observation Window
- 6. Door Assembly
- 7. Safety Interlock System
- 8. Grill Rack (only for Grill Series)

**Dimensions:**

Height	460mm
Width	595mm
Depth	495mm
Weight	Approx 20.78 kg
Turntable	Ø315mm
Oven Capacity	25L
Rated Voltage	230-240V ~50Hz
Rated Input Power	1450W (Microwave)
Rated Output Power	900W (Microwave)
Rated Input Power	1100W (Grill)
Rated Input Power	2400W (Convection)

De'Longhi pride themselves on their innovative range of the highest quality consumer products.

De'Longhi ensures all of its products are 100% safe through quality design and manufacture. All products meet or exceed stringent laboratory-tested safety requirements.

It is necessary for anyone using an electrical appliance to be safety conscious. The following precautions are essential for the safe use of an electrical appliance. Carefully read all of the instructions provided with your appliance:

- Always turn the power off at the power outlet before you insert or remove a plug. Remove by grasping the plug, do not pull on the cord.
- Do not use your appliance with an extension cord unless this cord has been checked and tested by a qualified technician or service person. The extension cord must be a VDE-Listed, 3-wire grounding extension cord that has a grounding plug and outlet and that the electrical rating of the cord is 230-240 volts and at least 10 amperes.
- Always use your appliance from a power outlet of the voltage (A.C. only) marked on the appliance.
- Do not use an appliance for any purpose other than its intended use.
- Do not attempt to repair an electrical appliance. Return a damaged or malfunctioning appliance to a qualified service centre for adjustment or repair if required.
- The appliance must be positioned so the AC plug is accessible.

- This appliance is designed exclusively for household use. All other uses are strictly forbidden.
- The appliance is not intended for use by persons (including children) with reduced physical, sensory or mental capabilities, or lack of experience and knowledge, unless they have been given supervision or instruction concerning use of the appliance by a person responsible for their safety. Children should be supervised to ensure that they do not play with the appliance.
- If the power cable is damaged, it must be replaced by the manufacturer, an authorised service centre or a qualified electrician in order to eliminate all risk.

The De'Longhi Combi Oven is warranted against faults resulting from manufacturing or material defects. The warranty period for normal domestic installation and use is two years from the purchase. In non-domestic use De'Longhi limits the voluntary warranty to 6 months.

De'Longhi undertakes to repair or replace the Combi Oven at our discretion if the product is found to be defective due to a manufacturing fault during the warranty period.

This warranty excludes any damage caused by misuse, neglect, shipping accident, or incorrect installation. Normal wear and tear is also expressly excluded. The warranty claim is void if no fault is found with the product or if work is carried out by anyone other than an authorised De'Longhi Service Agent.

In Australia, this warranty is additional to the conditions and guarantees which are mandatory as implied under the Trade Practices Act 1974 and State and Territory legislation.

### How to contact us about a warranty claim

Talk to a De'Longhi representative for further warranty or product information please call the number in your country:

#### Australia

[www.delonghi.com.au](http://www.delonghi.com.au)  
Phone: 1800 126 659

#### New Zealand

[www.delonghi.co.nz](http://www.delonghi.co.nz)  
Phone: 0508 200 300

NOTE: Warranty is determined by unit serial number and date of purchase.

Read this guide carefully, it is intended to help you operate and maintain your new Combi Oven properly.

Keep it handy to answer your questions. If you don't understand something or you need more assistance, please call the De'Longhi Helpline.

To help us provide prompt answers to your queries, please record your Combi Oven model and serial numbers located on the rating plate at the rear of the appliance.

### Combi Oven details

\_\_\_\_\_  
Date of Purchase

\_\_\_\_\_  
Model Number

\_\_\_\_\_  
Serial Number

### Before you call for service

Check the Troubleshooting Section on page 19. It lists causes of minor operating problems that you can correct yourself.

STAPLE OR  
AFFIX PURCHASE  
RECIPT HERE

## IMPORTANT SAFETY INSTRUCTIONS - READ ALL INSTRUCTIONS BEFORE USING, AND SAVE FOR FUTURE REFERENCE.

Your safety and the safety of others is very important. Safety messages are displayed in this manual and on your appliance.

Read and obey these safety messages as they will alert you to potential hazards and tell you how to reduce the chance of injury.



### Safety Alert Symbol

This symbol alerts you to potential hazards.

 **DANGER** 

### Danger

Danger indicates a high level of risk to yourself and others. Ensure that care is taken to avoid severe injury or even death.

 **WARNING** 

### Warning

Warning indicates a moderate level of risk to yourself, others and the product. Ensure that care is taken to avoid extensive product damage or serious injury.

**CAUTION**

### Caution

Caution indicates a level of risk to yourself, others and the product. Ensure care is taken to avoid moderate product damage or injuries.



To reduce the risk of fire, electric shock, injury to persons or exposure to excessive microwave oven energy when using your appliance, follow basic precautions, including the following:

### PRECAUTIONS TO AVOID POSSIBLE EXPOSURE TO EXCESSIVE MICROWAVE ENERGY.

- Do not attempt to operate this oven with the door open since this can result in harmful exposure to microwave energy. It is important not to break or tamper with the safety interlocks.
- Do not place any object between the oven front face and the door or allow soil or cleaner residue to accumulate on sealing surfaces.
- WARNING: If the door or door seals are damaged, the oven must not be operated until it has been repaired by an authorised person.
- If the apparatus is not maintained in a good state of cleanliness, its surface could be degraded and affect the lifespan of the apparatus and lead to a dangerous situation.

### ⚠ DANGER ⚠

- **Electric Shock Hazard** - Touching some of the internal components can cause serious personal injury or death. Do not disassemble this appliance.
- Liquids and other foods must not be heated in sealed containers since they are liable to explode.
- It is hazardous for anyone other than an authorised person to remove a cover which gives protection against exposure to microwave energy.

### ⚠ DANGER ⚠

- Only allow children to use the oven without supervision when adequate instructions have been given so that the child is able to use the oven in a safe way and understand the hazards of improper use.
- When the appliance is operated in the combination mode, children should only use the oven under adult supervision due to the temperatures generated.

### ⚠ WARNING ⚠

- **Electric Shock Hazard** - Improper use of the grounding can result in electric shock. Do not plug into an outlet until appliance is properly installed and grounded.
- Only use utensils suitable for use in microwave ovens.
- The oven should be cleaned regularly and any food deposits should be removed.
- Read and follow the specific: "PRECAUTIONS TO AVOID POSSIBLE EXPOSURE TO EXCESSIVE MICROWAVE ENERGY".
- When heating food in plastic or paper containers, keep an eye on the oven due to the possibility of ignition.
- If smoke is observed, switch off or unplug the appliance and keep the door closed in order to stifle any flames.
- Do not overcook food.
- Do not use the oven cavity for storage purposes. Do not store items, such as bread, cookies, etc. inside the oven.
- Remove wire twist-ties and metal handles from paper or plastic containers/bags before placing them in the oven.
- Install or locate this oven only in accordance with the installation instructions provided.

### Normal Operation

Microwave oven is interfering with the TV reception.	Radio and TV reception may be interfered when microwave oven operating. It is similar to the interference of small electrical appliances, like mixer, vacuum cleaner, and electric fan. It is normal.
Dim oven light.	In low power microwave cooking, oven light may become dim. It is normal.
Steam accumulating on door, hot air out of vents.	In cooking, steam may come out of food. Most will get out from vents. But some may accumulate on cool place like oven door. It is normal.
Oven started accidentally with no food in.	It is forbidden to run the unit without any food inside. It is very dangerous.

Issue	Possible Cause	Remedy
Oven cannot be started.	Power cord not plugged in tightly.	Unplug. Then plug in again after 10 seconds.
	Fuse blowing or circuit breaker tripped.	Repair by authorised service agent.
	Trouble with outlet	Test outlet with other electrical appliances.
Oven does not heat.	Door not closed well	Close door well.
Glass turntable makes noise when microwave oven operates.	Dirty roller rest and bottom.	Refer to "Care and Cleaning" to clean dirty parts.

### Consumer Help

If you have any concerns or questions regarding the performance or use of your appliance, please visit:  
[www.delonghi.com.au](http://www.delonghi.com.au)  
 or  
[www.delonghi.co.nz](http://www.delonghi.co.nz)

### Australia

Phone: 1800 126 659  
 Fax: 1800 007 289

### New Zealand

Phone: 0508 200 300  
 Fax: 0508 200 301

### Cleaning your Microwave Oven

- Turn off the power, unplug the appliance from the power supply.
- Clean the inside of the oven after use with a slightly damp cloth.
- Clean the accessories in the usual way in soapy water.
- The door frame and seal and neighbouring parts must be cleaned carefully with a damp cloth when they are dirty.

### **WARNING**

- Eggs in the shell and whole hard-boiled eggs should not be heated in microwave ovens since they may explode, even after microwave heating has ended.
- Use this appliance only for its intended uses as described in manual. Do not use corrosive chemicals or vapors in this appliance. This oven is especially designed to heat. It is not designed for industrial or laboratory use.
- If the supply cord is damaged, it must be replaced by the manufacturer, its service agent or similarly qualified persons in order to avoid a hazard.
- Do not store or use this appliance outdoors.
- Do not use this oven near water, in a wet basement or near a swimming pool.
- The temperature of accessible surfaces may be high when the appliance is operating. The surfaces are liable to get hot during use. Keep cord away from heated surface, and do not cover any events on the oven.
- Do not let cord hang over edge of table or counter.
- Failure to maintain the oven in a clean condition could lead to deterioration of the surface that could adversely affect the life of the appliance and possibly result in a hazardous situation.
- The contents of feeding bottles and baby food jars shall be stirred or shaken and the temperature checked before consumption, in order to avoid burns.
- Microwave heating of beverages can result in delayed eruptive boiling, therefore take care when handling the container.

### **WARNING**

- The appliance is not intended for use by persons (including children) with reduced physical, sensory or mental capabilities, or lack of experience and knowledge, unless they have been given supervision or instruction concerning use of the appliance by a person responsible for their safety.
- Children should be supervised to ensure that they do not play with the appliance.
- The microwave oven shall not be placed in a cabinet unless it has been tested in a cabinet.
- The appliances are not intended to be operated by means of an external timer or separate remote-control system.
- **WARNING:** Ensure that the appliance is switched off before replacing the lamp to avoid the possibility of electric shock.
- Accessible parts may become hot during use. Young children should be kept away.
- Steam cleaner is not to be used.
- Surface of a storage drawer can get hot.
- Do not use harsh abrasive cleaners or sharp metal scrapers to clean the oven door glass since they can scratch the surface, which may result in shattering of the glass.
- During use the appliance becomes hot. Care should be taken to avoid touching heating elements inside the oven.
- Only use the temperature probe recommended for this oven (For ovens provided with a facility to use a temperature-sensing probe).
- The door or the outer surface may get hot when the appliance is operating.
- Shut off oven power if the door is opened during operation.

## Electrical Connection

- This appliance should be properly grounded for your safety. The power cord of this appliance is equipped with a three-prong plug which mates with standard three prong wall outlets to minimise the possibility of electrical shock.
- Do not under any circumstances cut or remove the third ground prong from the power cord supplied. For personal safety, this appliance must be properly grounded.
- This appliance requires a standard 240 Volt AC ~/50Hz electrical ground outlet with three-prong. Have the wall outlet and circuit checked by a qualified electrician to make sure the outlet is properly grounded. When a standard 2-prong wall outlet is encountered, it is your responsibility and obligation to have it replaced with a properly grounded 3-prong wall outlet.
- The cord should be secured behind the appliance and not left exposed or dangling to prevent accidental injury.
- The appliance should always be plugged into its own individual electrical outlet which has a voltage rating that matches the rating label on the appliance. This provides the best performance and also prevent overloading house wiring circuits that could cause a fire hazard from overheated. Never unplug the appliance by pulling the power cord. Always grip the plug firmly and pull straight out from the receptacle. Repair or replace immediately all power cords that have become frayed or otherwise damaged. Do not use a cord that shows cracks or abrasion damage along its length or at either end. When moving the appliance, be careful not to damage the power cord.

- Consult a qualified electrician or authorised person if the grounding instructions are not completely understood or if doubt exists as to whether the appliance is properly grounded.

## Extension Cord

- A short power-supply cord is provided to reduce the risks resulting from becoming entangled in or tripping over a longer cord.

If a long cord set or extension cord is used:

- The marked electrical rating of the cord set or extension cord should be at least as great as the electrical rating of the appliance.
- The extension cord must be a grounding - type 3-wire cord.
- The long cord should be arranged so that it will not drape over the counter top or tabletop where it can be pulled on by children or tripped over unintentionally.

## Defrost by W.T.

1. Press "W.T./TIME DEFROST" pad once, the oven will display "dEF1".
2. Turn "👤" to select the weight of food. At the same time, "g" will light, the weight should be 100-2000g.
3. Press "START/+30SEC./CONFIRM" key to start defrosting "📶" and "✖✖" indicators will flash and "g" indicator will go out.

## Defrost by Time

1. Press "W.T./TIME DEFROST" key twice, the oven will display "dEF2".
2. Turn "👤" to select the cooking time. The maximum setting time is 95 minutes.
3. Press "START/+30SEC./CONFIRM" key to start defrosting. "📶" and "✖✖" indicators will flash.

**Note:** if the food weight is no more than 200 grams, please place the food at the edge of the glass turntable but not the center to be defrosted.

## Speedy Cooking

1. In waiting state, press "START/+30SEC./CONFIRM" key to cook with 100% power level for 30 seconds. Each press of the same key will add an increase of 30 second intervals. The maximum cooking time is 95 minutes.
2. During microwave, grill, convection and combination states, press "START/+30SEC./CONFIRM" key to cook with 100% power level for 30 seconds. Each press of the same key will add an increase of 30 second intervals.

**Note:** This function cannot work under defrost, auto menu and multi-stage cooking.

## Speedy Microwave Cooking

In waiting state, turn "👤" left to choose cooking time directly then press "START/+30SEC./CONFIRM" key to cook with 100% microwave power. This program can be set as one of multi-stage programs.

## Inquiring Function

1. In cooking state, press "MICROWAVE", "GRILL/COMBI." or "CONVECTION", the current power will be displayed for 2-3 seconds.
2. In pre-set state, press "CLOCK/PRE-SET" to inquire the time for delayed start cooking. The pre-set time will flash for 2-3 seconds, then the oven will turn back to the clock display.
3. During cooking state, press "CLOCK/PRE-SET" to check the current time. It will be displayed for 2-3 seconds.

## Lock-out Function for Children

**Lock:** In waiting state, press "STOP/CLEAR" for 3 seconds, there will be a long "beep" signalling entering into the children-lock state and "🔒" indicator will light. LED will display current time or 0:00.



**Lock quitting:** In locked state, press "STOP/CLEAR" for 3 seconds, there will be a long "beep" denoting that the lock is released and "🔒" indicator will disappear.

## Explanation of alerts

1. The buzzer will sound once when you first begin to turn the knob.
2. "START/+30 SEC./CONFIRM" must be pressed to continue cooking if the door is opened during cooking.
3. Once the cooking program has been set if "START/+30 SEC./CONFIRM" is not pressed in 5 minutes, the current time will be displayed and the setting will be cancelled.
4. The buzzer sounds once for an effective button press, an ineffective press will be no response.
5. The buzzer will sound five times to alert you when cooking is finished.



## Auto Menu

1. In waiting state, turn “” right to choose the desired function and “A1”, “A2”, “A3” .... “A10” will be displayed.
2. Press “START/ +30 SEC./CONFIRM” to confirm the menu you need.
3. Turn “” to choose the weight of menu, and “g” indicator will light.
4. Press “START/ +30 SEC./CONFIRM” to start cooking.

### Note:

Cake menu is under convection cooking with 180°C-warm-up function, and you should preheat first following the auto menu operation, when the oven reaches temperature it will stop working and the buzzer will sound to remind you to open the door to put the cake in. Then press “Start/+30Sec./Confirm” to commence cooking.

## Auto Menu Chart

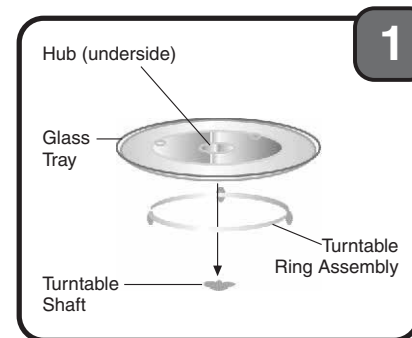
Menu	Weight	Display	Power
A1 Reheat	150g	150	100%
	250g	250	
	350g	350	
	450g	450	
	600g	600	
A2 Potato	1 (~230g)	1	100%
	2 (~460g)	2	
	3 (~690g)	3	
A3 Meat	150g	150	100%
	300g	300	
	450g	450	
	600g	600	
A4 Vegetable	150g	150	100%
	350g	350	
	500g	500	

Menu	Weight	Display	Power
A5 Fish	150g	150	80%
	250g	250	
	350g	350	
	450g	450	
A6 Pasta	50g (with water 450ml)	50	80%
	100g (with water 800ml)	100	
	150g (with water 1200ml)	150	
A7 Soup	200g	200	100%
	400g	400	
	600g	600	
A8 Cake	475g	475	Preheat at 180°C
A9 Pizza	200g	200	C-4
	300g	300	
	400g	400	
A10 Chicken	500g	500	C-4
	750g	750	
	1000g	1000	
	1200g	1200	

Remove the oven and all materials from the carton and oven cavity.

## Turntable Installation

- Never place the glass tray upside down. The glass tray should never be restricted.
- Both glass tray and turntable ring assembly must always be used during cooking.
- All food and containers of food are always placed on the glass tray for cooking.
- If glass tray or turntable ring assembly cracks or breaks, contact your nearest authorised service centre.



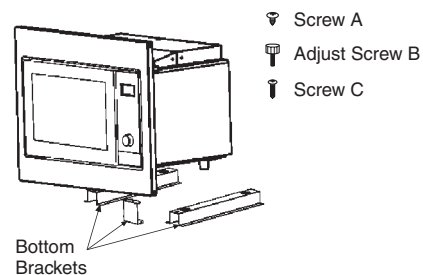
**The accessible surface may be hot during operation.**

## Countertop Installation

- Remove all packing material and accessories. Examine the oven for any damage such as dents or broken door. Do not install if oven is damaged.
- Cabinet: Remove any protective film found on the microwave oven cabinet surface.
- Do not remove the light brown Mica cover that is attached to the oven cavity to protect the magnetron.

## Built-In Cabinet Installation

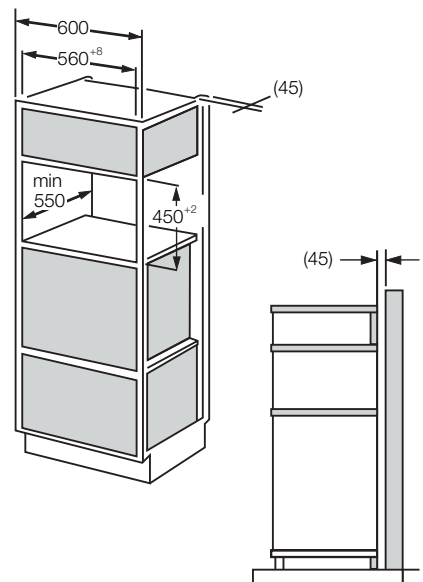
Parts Supplied:



The built-in cabinet shall not have a rear wall behind the appliance.

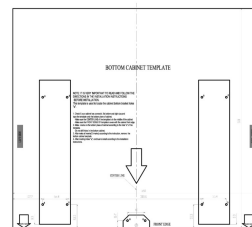
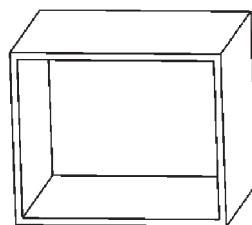
Minimum installation height is 85cm.

Do not cover ventilation slots and air intake points.

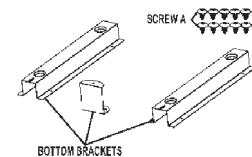
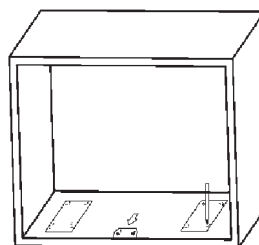


## Prepare the Cabinet

1. Read the instructions on the Bottom Cabinet Template, put the template on the bottom plane of the cabinet.



2. Make marks on the bottom plane of the cabinet according to the marks "a" of the template.



## Convection Cooking (Without pre-heating function)

1. Press the "CONVECTION" key once, "140" will flash.
2. Keep pressing "CONVECTION" or turn "⚡" to select the convection function.  
**Note:** the temperature can be chosen from 140 degrees to 230 degrees.
3. Press the "START/+30SEC./CONFIRM" to confirm the temperature
4. Turn "⚡" to adjust the cooking time. (The maximum setting time is 95 minutes.)
5. Press the "START/+30SEC./CONFIRM" key to start cooking.

## Multi-Stage Cooking

A maximum of two stages can be set. If one stage is defrosting, it should be put in the first stage. The buzzer will ring once after each stage and the next stage will begin.

**Note:** Auto menu and preheating cannot be set as one of the multi-stage.

**Example:** if you want to defrost the food for 5 minutes, then to cook with 80% microwave power for 7 minutes. The steps are as follows:

1. Press "W.T./TIME DEFROST" twice, the screen will display "dEF2".
2. Turn "⚡" to adjust the defrost time to 5 minutes.
3. Press "MICROWAVE" once.
4. Turn "⚡" to choose 80% microwave power till "P80" will display.
5. Press "START/+30SEC./CONFIRM" to confirm.
6. Turn "⚡" to adjust the cooking time to 7 minutes.
7. Press "START/+30SEC./CONFIRM" to start cooking.

## Pre-set Function

1. Set the clock first. (Refer to section 'clock setting'.)
2. Select the cooking program. A maximum of two stages can be set. Defrosting should not be set in preset function. Auto menu can be set single stage only.  
**Example:** if you want to cook with 80% microwave power for 7 minutes.  
a) Press "MICROWAVE" once.  
b) Turn "⚡" to choose 80% microwave power till "P80" will display.  
c) Press "START/+30SEC./CONFIRM" to confirm.  
d) Turn "⚡" to adjust the cooking time to 7 minutes.

After the above steps, please do not press "START/+30SEC./CONFIRM".

Then do as follows:

3. Press "CLOCK/PRE-SET", current time displays and the hour figures flash.

4. Turn "⚡" to adjust the hour figures, the input time should be within 0--23 (24-hour) or 1--12 (12-hour).
5. Press "CLOCK/PRE-SET", the minute figures will flash.
6. Turn "⚡" to adjust the minute figures, the input time should be within 0--59.

7. Press "START/+30SEC./CONFIRM" to finish setting. ":" will flash & timer countdown begins. Buzzer will ring twice to indicate cooking time has commenced.

**Note:** Clock must be set first. Otherwise, pre-set function will not work.

## Grill Cooking

1. Press the "GRILL/COMBI." key once, and "G-1" will display.
2. Press "START/+30SEC./CONFIRM" to confirm.
3. Turn "⏱" to adjust the cooking time. (The time setting should be 0:05- 95:00.)
4. Press "START/+30SEC./CONFIRM" to start cooking.

### Note:

After half the grill time passes, the oven sounds twice to tell you to turn the food over. You can leave to continue grilling but in order to have a better effect of grilling food, you should turn the food over, close the door, and then press "START/+30SEC./CONFIRM" to continue cooking. Without interruption, the oven will work automatically and sound once.

## Combination Cooking

1. Press the "GRILL/COMBI." key once, and "G-1" will display.
2. Press "GRILL/COMBI." four times or turn "⏱" to select the grill power.  
Stop turning when "C-1", "C-2", "C-3" or "C-4" displays.
3. Press "START/+30SEC./CONFIRM" to confirm.
4. Turn "⏱" to adjust the cooking time. (The time setting should be 0:05- 95:00.)
5. Press "START/+30SEC./CONFIRM" to start cooking.

**NOTE:** Combination Instructions

Instructions	Display	Microwave	Grill	Convection
1	C-1	●		●
2	C-2	●	●	
3	C-3		●	●
4	C-4	●	●	●

## Convection Cooking (With preheating function)

The convection cooking mode allows you to cook the food as a traditional oven. Microwave is not used. It is recommended that you should preheat the oven to the appropriate temperature before placing the food in the oven.

1. Press the "CONVECTION" key once, "140" will flash.
2. Keep pressing "CONVECTION" or turn "⏱" to select the convection function.

Note: the temperature can be chosen from 140 degrees to 230 degrees.

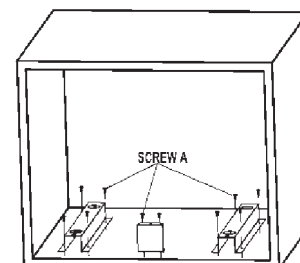
3. Press the "START/+30SEC./CONFIRM" to confirm the temperature.
4. Press the "START/+30SEC./CONFIRM" to start preheating. When the preheating temperature arrives, the buzzer will sound twice to remind you to put the food into the oven. And the preheated temperature is displayed and flashing.
5. Put the food into the oven and close the door. Turn "⏱" to adjust the cooking time. (The maximum setting time is 95 minutes.)
6. Press the "START/+30SEC./CONFIRM" key to start cooking.

### Note:

- A. Cooking time cannot be input until the preheating temperature is reached. When the temperature is reached, the door must be opened to input the cooking time.
- B. If time is not input in 5 minutes, the oven will stop preheating. The buzzer sounds five times and returns to the waiting state.

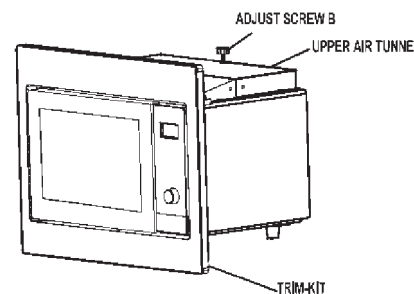
## Prepare the Cabinet (cont'd)

3. Remove the Bottom Cabinet Template and fix the Bottom Brackets with Screw A.



## Prepare the Oven

1. Fix Screw B on the Upper Air Tunnel of the oven.

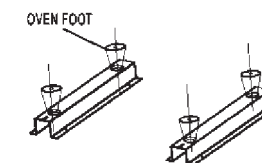
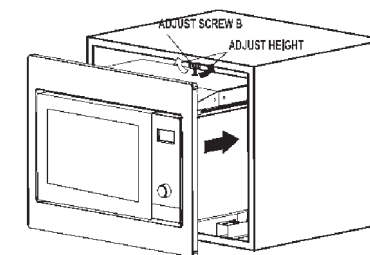


## Install the Oven

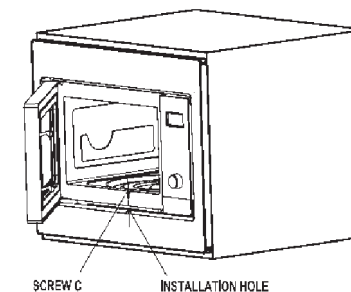
1. Install the oven into the cabinet.
  - a) Adjust the height of Screw B to keep a 1mm gap between Screw B and the top plane of the cabinet.

## Install the Oven (cont'd)

- b) Make sure that the Oven Feet are aligned with the grooves of brackets when installing the oven into the cabinet.
- c) Do not trap or kink the power cord.



2. Open the door, fix the oven to the cabinet with Screw C at the Installation Hole of the Trim Kit.



## UTENSILS

- **CAUTION: Personal Injury Hazard** - It is hazardous for anyone other than an authorised person to carry out any service or repair operation that involves the removal of a cover which gives protection against exposure to microwave energy.
- See the instructions on "Materials you can use in microwave oven or to be avoided in microwave oven". There may be certain non-metallic utensils that are not safe to use for microwaving. If in doubt, you can test the utensil in question following the procedure below.

### Utensil Test

1. Fill a microwave-safe container with 1 cup of cold water (250ml) along with the utensil in question.
2. Cook on maximum power for 1 minute.
3. Carefully feel the utensil. If the empty utensil is warm, do not use it for microwave cooking.
4. Do not exceed 1 minute cooking time.

### Materials you can use in the Microwave

- **Aluminium Foil** - Shielding only. Small smooth pieces can be used to cover thin parts of meat or poultry to prevent overcooking. Arcing can occur if foil is too close to oven walls. The foil should be at least 1 inch (2.5cm) away from oven walls.
- **Browning Dish** - Follow manufacturer's instructions. The bottom of browning dish must be at least 3/16 inch (5mm) above the turntable. Incorrect usage may cause the turntable to break.
- **Dinnerware** - Microwave-safe only. Follow manufacturer's instructions. Do not use cracked or chipped dishes.

- **Glass Jars** - Always remove lid. Use only to heat food until just warm. Most glass jars are not heat resistant and may break.
- **Glassware** - Heat-resistant oven glassware only. Make sure there is no metallic trim. Do not use cracked or chipped dishes.
- **Oven Cooking Bag** - Follow manufacturer's instructions. Do not close with metal tie. Make slits to allow steam to escape.
- **Paper plates and cups** - Use for short-term cooking/warming only. Do not leave oven unattended while cooking.
- **Paper Towels** - Use to cover food for reheating and absorbing fat. Use with supervision for short-term cooking only.
- **Parchment Paper** - Use as a cover to prevent splattering or a wrap for steaming.
- **Plastic** - Microwave-safe only. Follow the manufacturer's instructions. Should be labelled "Microwave Safe". Some plastic containers soften, as the food inside gets hot. "Boiling bags" and tightly closed plastic bags should be slit, pierced or vented as directed by package.
- **Plastic wrap** - Microwave-safe only. Use to cover food during cooking to retain moisture. Do not allow plastic wrap to touch food.
- **Thermometers** - Microwave-safe only (meat and candy thermometers).
- **Wax Paper** - Use as a cover to prevent splattering and retain moisture.

## Materials to be avoided in Microwave Oven

- **Aluminium Tray** - May cause arcing. Transfer food into microwave-safe dish.
- **Food carton with metal handle** - May cause arcing. Transfer food into microwave-safe dish.
- **Metal or Metal-trimmed utensils** - Metal shields the food from microwave energy. Metal trim may cause arcing.
- **Metal twist ties** - May cause arcing and could cause a fire in the oven.
- **Paper Bags** - May cause a fire in the oven.
- **Plastic Foam** - Plastic foam may melt or contaminate the liquid inside when exposed to high temperature.
- **Wood** - Wood will dry out when used in the microwave oven and may split or crack.

## OPERATING INSTRUCTIONS

This oven uses modern electronic control to adjust cooking parameters to meet your needs better for cooking.

### Clock Setting

When the power is connected, the oven will display "0:00", buzzer will ring once.

1. Press "CLOCK/PRE-SET" to choose 12-hour or 24-hour.
2. Turn "⏸" to adjust the hour figures, the input time should be within 0--23 (24-hour) or 1--12 (12-hour).
3. Press "CLOCK/PRE-SET", the minute figures will flash.
4. Turn "⏸" to adjust the minute figures, the input time should be within 0--59.

5. Press "CLOCK/PRE-SET" to finish clock setting. ":" will flash.

### NOTE:

- 1) If the clock is not set, the oven will not function when powered.
- 2) While setting the clock, if you press "STOP/CLEAR", the oven will go back to the previous state automatically.

## Microwave Cooking

When the power is connected, the oven will display "0:00", buzzer will ring once.

1. Press the "MICROWAVE" key once, and "P100" will display.
2. Press "MICROWAVE" four times or turn "⏸" to select the microwave power from 100% to 10%. "P100", "P80", "P50", "P30", "P10" will display in order.
3. Press "START/+30SEC./CONFIRM" to confirm.
4. Turn "⏸" to adjust the cooking time. (The time setting should be 0:05-95:00.)
5. Press "START/+30SEC./CONFIRM" to start cooking.

**NOTE:** the intervals for the adjustment of cooking time are as follow:

- 0---1 min : by 5 seconds
- 1---5 min : by 10 seconds
- 5---10 min : by 30 seconds
- 10---30 min : by 1 minute
- 30---95 min : by 5 minutes

## Microwave Power Chart

Press	Once	Twice	3 times	4 times	5 times
Power	100%	80%	50%	30%	10%