



**Robert Bosch GmbH**  
Power Tools Division  
70745 Leinfelden-Echterdingen  
Germany

[www.bosch-pt.com](http://www.bosch-pt.com)

1 619 X06 940 (2011.08) 0 / 10 XXX



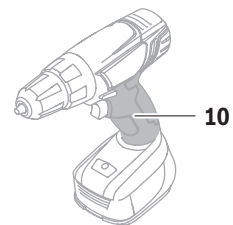
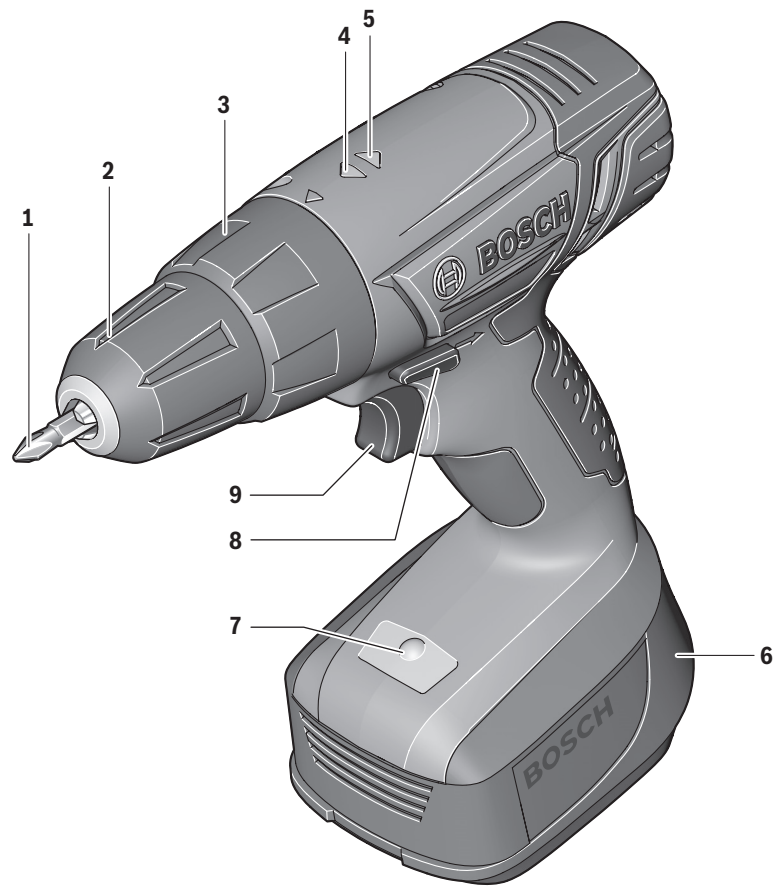
1 619 X06 940

**PSR 18 LI**

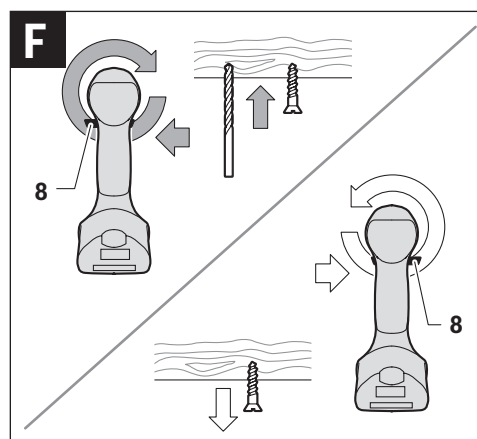
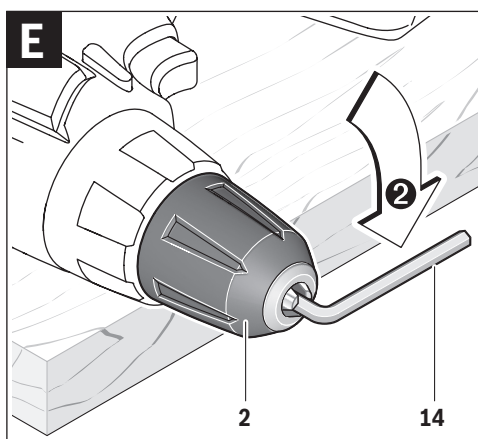
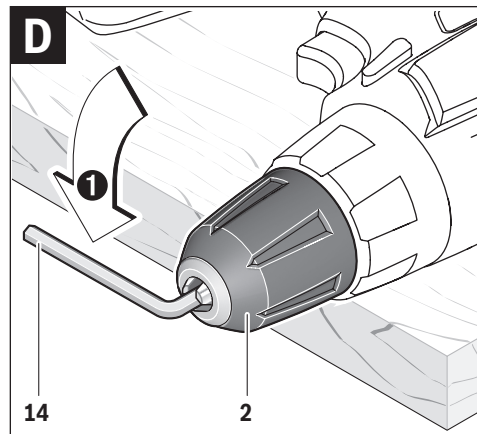
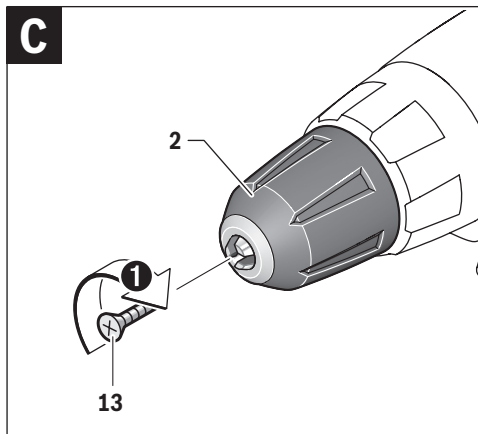
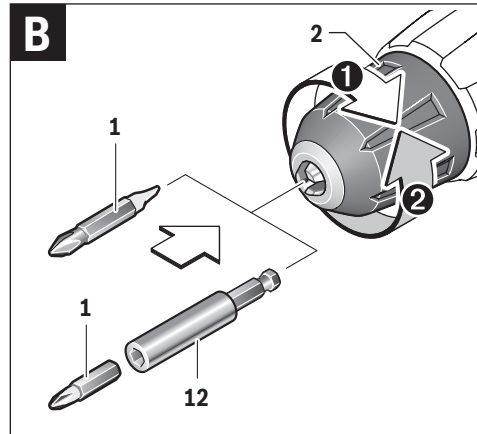
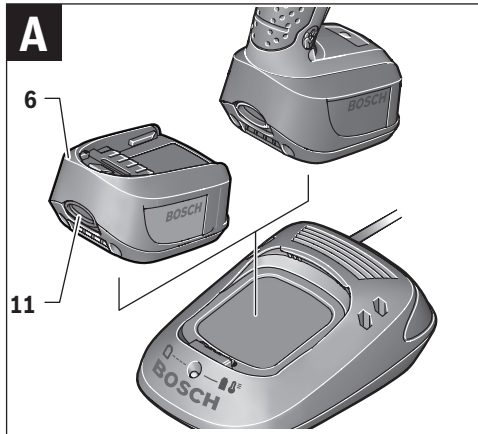


en Original instructions





**PSR 18 Li**



## English

### Safety Notes

#### General Power Tool Safety Warnings

**⚠ WARNING** Read all safety warnings and all instructions. Failure to follow the warnings and instructions may result in electric shock, fire and/or serious injury.

**Save all warnings and instructions for future reference.** The term "power tool" in the warnings refers to your mains-operated (corded) power tool or battery-operated (cordless) power tool.

#### Work area safety

- ▶ **Keep work area clean and well lit.** Cluttered or dark areas invite accidents.
- ▶ **Do not operate power tools in explosive atmospheres, such as in the presence of flammable liquids, gases or dust.** Power tools create sparks which may ignite the dust or fumes.
- ▶ **Keep children and bystanders away while operating a power tool.** Distractions can cause you to lose control.

#### Electrical safety

- ▶ **Power tool plugs must match the outlet. Never modify the plug in any way. Do not use any adapter plugs with earthed (grounded) power tools.** Unmodified plugs and matching outlets will reduce risk of electric shock.
- ▶ **Avoid body contact with earthed or grounded surfaces, such as pipes, radiators, ranges and refrigerators.** There is an increased risk of electric shock if your body is earthed or grounded.
- ▶ **Do not expose power tools to rain or wet conditions.** Water entering a power tool will increase the risk of electric shock.
- ▶ **Do not abuse the cord. Never use the cord for carrying, pulling or unplugging the power tool. Keep cord away from heat, oil, sharp edges and moving parts.** Damaged or entangled cords increase the risk of electric shock.
- ▶ **When operating a power tool outdoors, use an extension cord suitable for outdoor use.** Use of a cord suitable for outdoor use reduces the risk of electric shock.
- ▶ **If operating a power tool in a damp location is unavoidable, use a residual current device (RCD) protected supply.** Use of an RCD reduces the risk of electric shock.

#### Personal safety

- ▶ **Stay alert, watch what you are doing and use common sense when operating a power tool. Do not use a power tool while you are tired or under the influence of drugs, alcohol or medication.** A moment of inattention while operating power tools may result in serious personal injury.
- ▶ **Use personal protective equipment. Always wear eye protection.** Protective equipment such as dust mask, non-skid safety shoes, hard hat, or hearing protection

used for appropriate conditions will reduce personal injuries.

- ▶ **Prevent unintentional starting. Ensure the switch is in the off-position before connecting to power source and/or battery pack, picking up or carrying the tool.** Carrying power tools with your finger on the switch or energising power tools that have the switch on invites accidents.
- ▶ **Remove any adjusting key or wrench before turning the power tool on.** A wrench or a key left attached to a rotating part of the power tool may result in personal injury.
- ▶ **Do not overreach. Keep proper footing and balance at all times.** This enables better control of the power tool in unexpected situations.
- ▶ **Dress properly. Do not wear loose clothing or jewellery. Keep your hair, clothing and gloves away from moving parts.** Loose clothes, jewellery or long hair can be caught in moving parts.
- ▶ **If devices are provided for the connection of dust extraction and collection facilities, ensure these are connected and properly used.** Use of dust collection can reduce dust-related hazards.

#### Power tool use and care

- ▶ **Do not force the power tool. Use the correct power tool for your application.** The correct power tool will do the job better and safer at the rate for which it was designed.
- ▶ **Do not use the power tool if the switch does not turn it on and off.** Any power tool that cannot be controlled with the switch is dangerous and must be repaired.
- ▶ **Disconnect the plug from the power source and/or the battery pack from the power tool before making any adjustments, changing accessories, or storing power tools.** Such preventive safety measures reduce the risk of starting the power tool accidentally.
- ▶ **Store idle power tools out of the reach of children and do not allow persons unfamiliar with the power tool or these instructions to operate the power tool.** Power tools are dangerous in the hands of untrained users.
- ▶ **Maintain power tools. Check for misalignment or binding of moving parts, breakage of parts and any other condition that may affect the power tool's operation. If damaged, have the power tool repaired before use.** Many accidents are caused by poorly maintained power tools.
- ▶ **Keep cutting tools sharp and clean.** Properly maintained cutting tools with sharp cutting edges are less likely to bind and are easier to control.
- ▶ **Use the power tool, accessories and tool bits etc. in accordance with these instructions, taking into account the working conditions and the work to be performed.** Use of the power tool for operations different from those intended could result in a hazardous situation.

#### Battery tool use and care

- ▶ **Recharge only with the charger specified by the manufacturer.** A charger that is suitable for one type of battery pack may create a risk of fire when used with another battery pack.


- ▶ **Use power tools only with specifically designated battery packs.** Use of any other battery packs may create a risk of injury and fire.
- ▶ **When battery pack is not in use, keep it away from other metal objects, like paper clips, coins, keys, nails, screws or other small metal objects, that can make a connection from one terminal to another.** Shorting the battery terminals together may cause burns or a fire.
- ▶ **Under abusive conditions, liquid may be ejected from the battery; avoid contact. If contact accidentally occurs, flush with water. If liquid contacts eyes, additionally seek medical help.** Liquid ejected from the battery may cause irritation or burns.

#### Service

- ▶ **Have your power tool serviced by a qualified repair person using only identical replacement parts.** This will ensure that the safety of the power tool is maintained.

#### Safety Warnings for Drills and Screwdriver

- ▶ **Hold power tool by insulated gripping surfaces, when performing an operation where the cutting accessory or fastener may contact hidden wiring.** Cutting accessory and fasteners contacting a "live" wire may make exposed metal parts of the power tool "live" and could give the operator an electric shock.
- ▶ **Use auxiliary handle(s), if supplied with the tool.** Loss of control can cause personal injury.
- ▶ **Use appropriate detectors to determine if utility lines are hidden in the work area or call the local utility company for assistance.** Contact with electric lines can lead to fire and electric shock. Damaging a gas line can lead to explosion. Penetrating a water line causes property damage.
- ▶ **Switch off the power tool immediately when the tool insert jams. Be prepared for high reaction torque that can cause kickback.** The tool insert jams when:
  - the power tool is subject to overload or
  - it becomes wedged in the workpiece.
- ▶ **Hold the machine with a firm grip.** High reaction torque can briefly occur while driving in and loosening screws.
- ▶ **Secure the workpiece.** A workpiece clamped with clamping devices or in a vice is held more secure than by hand.
- ▶ **Always wait until the machine has come to a complete stop before placing it down.** The tool insert can jam and lead to loss of control over the power tool.
- ▶ **Do not open the battery.** Danger of short-circuiting.
 



**Protect the battery against heat, e. g., against continuous intense sunlight, fire, water, and moisture.** Danger of explosion.
- ▶ **In case of damage and improper use of the battery, vapours may be emitted. Provide for fresh air and seek medical help in case of complaints.** The vapours can irritate the respiratory system.
- ▶ **Use the battery only in conjunction with your Bosch power tool.** This measure alone protects the battery against dangerous overload.

- ▶ **Use only original Bosch batteries with the voltage listed on the nameplate of your power tool.** When using other batteries, e. g. imitations, reconditioned batteries or other brands, there is danger of injury as well as property damage through exploding batteries.

## Product Description and Specifications



**Read all safety warnings and all instructions.** Failure to follow the warnings and instructions may result in electric shock, fire and/or serious injury.

#### Intended Use

The machine is intended for driving in and loosening screws as well as for drilling in wood, metal, ceramic and plastic.

#### Product Features

The numbering of the product features refers to the illustration of the machine on the graphics page.

- 1 Screwdriver bit\*
- 2 Keyless chuck
- 3 Torque preselection ring
- 4 Indicator for right rotation
- 5 Indicator for left rotation
- 6 Battery\*
- 7 "PowerLight"
- 8 Rotational direction switch
- 9 On/Off switch
- 10 Handle (insulated gripping surface)
- 11 Battery unlocking button\*
- 12 Universal bit holder\*
- 13 Securing screw for keyless chuck
- 14 Allen key\*

\*Accessories shown or described are not part of the standard delivery scope of the product. A complete overview of accessories can be found in our accessories program.

#### Technical Data

Cordless Drill/Driver	PSR 18 LI	
Article number	3 603 J79 3..	
Rated voltage	V=	18
No-load speed	min <sup>-1</sup>	0–850
Max. screw dia.	mm	10
Max. drilling dia.		
– Steel	mm	10
– Wood	mm	35
Chuck clamping range	mm	0–10
Weight according to EPTA-Procedure 01/2003	kg	1.2

Please observe the article number on the type plate of your machine. The trade names of the individual machines may vary.

## Assembly

### Battery Charging (see figure A)

- **Use only the battery chargers listed on the accessories page.** Only these battery chargers are matched to the lithium ion battery of your power tool.

**Note:** The battery is supplied partially charged. To ensure full capacity of the battery, completely charge the battery in the battery charger before using your power tool for the first time.

The lithium-ion battery can be charged at any time without reducing its service life. Interrupting the charging procedure does not damage the battery.

The lithium-ion battery is protected against deep discharging by the "Electronic Cell Protection (ECP)". When the battery is empty, the machine is switched off by means of a protective circuit: The inserted tool no longer rotates.

- ⚠ **WARNING** Do not continue to press the On/Off switch after the machine has been automatically switched off. The battery can be damaged.

To remove the battery **6**, press the battery unlocking button **11** and pull the battery out of the power tool toward the rear. **Do not exert any force.**

For charging, the battery **6** can also remain in the power tool. During the charging procedure, the power tool cannot be switched on.

The battery is equipped with a NTC temperature control which allows charging only within a temperature range of between 0 °C and 45 °C. A long battery service life is achieved in this manner.

Observe the notes for disposal.

### Changing the Tool (see figure B)

- **Before any work on the machine itself (e. g. maintenance, tool change, etc.) as well as during transport and storage, remove the battery from the power tool.**

There is danger of injury when unintentionally actuating the On/Off switch.

The drill spindle is locked when the On/Off switch **9** is not pressed. This makes quick, convenient and easy changing of the tool in the drill chuck possible.

Open the keyless chuck **2** by turning in rotation direction **1**, until the tool can be inserted. Insert the tool.

Firmly tighten the collar of the keyless chuck **2** by hand in rotation direction **2**. This automatically locks the drill chuck.

The locking is released again to remove the tool when the collar is turned in the opposite direction.

### Replacing the Drill Chuck (see figures C – E)

- **Before any work on the machine itself (e. g. maintenance, tool change, etc.) as well as during transport and storage, remove the battery from the power tool.**

There is danger of injury when unintentionally actuating the On/Off switch.

### Removing the Securing Screw (see figure C)

The keyless chuck **2** is secured with a securing screw **13** against unintentional loosening from the drill spindle. Com-

pletely open the keyless chuck **2** and unscrew the securing screw **13** in rotation direction **1**. **Please note that the securing screw has a left-hand thread.**

If the securing screw **13** is seated tightly, apply a screwdriver to the screw head and loosen the securing screw by giving a blow onto the handle of the screwdriver.

### Removing the Drill Chuck (see figure D)

Clamp the short end of an Allen key **14** into the keyless chuck **2**.

Place the machine on a stable surface (e. g. a workbench). Hold the machine firmly and loosen the keyless chuck **2** by turning the Allen key **14** in rotation direction **1**. Loosen a tight-seated keyless chuck by giving the long end of the Allen key **14** a light blow. Remove the Allen key from the keyless chuck and completely unscrew the keyless chuck.

### Mounting the Drill Chuck (see figure E)

The keyless chuck is mounted in reverse order.

- ⚠ **The drill chuck must be tightened with a tightening torque of approx. 7 – 9 Nm.**

Screw the securing screw **13** in anti-clockwise direction into the opened keyless chuck. Always use a new securing screw, as the threads are covered with a thread-locking compound that loses its effect after multiple usage.

### Dust/Chip Extraction

- Dusts from materials such as lead-containing coatings, some wood types, minerals and metal can be harmful to one's health. Touching or breathing-in the dusts can cause allergic reactions and/or lead to respiratory infections of the user or bystanders.

Certain dusts, such as oak or beech dust, are considered as carcinogenic, especially in connection with wood-treatment additives (chromate, wood preservative). Materials containing asbestos may only be worked by specialists.

- Provide for good ventilation of the working place.
- It is recommended to wear a P2 filter-class respirator.

Observe the relevant regulations in your country for the materials to be worked.

- **Prevent dust accumulation at the workplace.** Dusts can easily ignite.

## Operation

### Starting Operation

#### Inserting the Battery

- **Use only original Bosch lithium ion batteries with the voltage listed on the nameplate of your power tool.** Using other batteries can lead to injuries and pose a fire hazard.

Set the rotational direction switch **8** to the centre position in order to avoid unintentional starting. Insert the charged battery **6** into the handle so that it can be felt to engage and faces flush against the handle.

**Reversing the Rotational Direction (see figure F)**

The rotational direction switch **8** is used to reverse the rotational direction of the machine. However, this is not possible with the On/Off switch **9** actuated.

**Right Rotation:** For drilling and driving in screws, push the rotational direction switch **8** left to the stop.



The indicator for right rotation **4** lights up when the On/Off switch **9** is actuated and the motor is running.

**Left Rotation:** For loosening or unscrewing screws, push the rotational direction switch **8** right to the stop.



The indicator for left rotation **5** lights up when the On/Off switch **9** is actuated and the motor is running.

**Setting the Torque**

The required torque can be preselected in 15 steps with the torque preselection ring **3**. With the correct setting, the insert tool is stopped as soon as the screw is screwed flush into the material or when the set torque is reached.

Select a higher setting when driving out screws, or set to the symbol "Drilling".

**DRILL** Drilling

The safety clutch is deactivated in the "Drilling" position.

**Switching On and Off**

To **start** the machine, press the On/Off switch **9** and keep it pressed.

The power light **7** lights up when the On/Off switch **9** is slightly or completely pressed, and allows the work area to be illuminated when lighting conditions are insufficient.

To switch off the machine, **release** the On/Off switch **9**.

**Adjusting the Speed**

The speed of the switched on power tool can be variably adjusted, depending on how far the On/Off switch **9** is pressed.

Light pressure on the On/Off switch **9** results in a low rotational speed. Further pressure on the switch results in an increase in speed.

**Fully automatic spindle locking (Auto-lock)**

When the On/Off switch **9** is not pressed, the drill spindle and thus the tool holder are locked.

This enables screws to be screwed in, even when the battery is empty and allows for the machine to be used as a screwdriver.

**Run-on Brake**

When the On/Off switch **9** is released, the chuck brakes to a stop, thus preventing the run-on of the tool.

When driving in screws, wait until the screw is screwed in flush with the material and then release the On/Off switch **9**. By doing so, the head of the screw does not penetrate into the material.

**Temperature Dependent Overload Protection**

When using as intended for, the power tool cannot be subject to overload. When the load is too high or the allowable battery temperature of 70 °C is exceeded, the electronic control

switches off the power tool until the temperature is in the optimum temperature range again.

**Protection Against Deep Discharging**

The lithium-ion battery is protected against deep discharging by the "Electronic Cell Protection (ECP)". When the battery is empty, the machine is switched off by means of a protective circuit: The inserted tool no longer rotates.

**Working Advice**

► **Apply the power tool to the screw only when it is switched off.** Rotating tool inserts can slip off.

After longer periods of working at low speed, allow the machine to cool down by running it for approx. 3 minutes at maximum speed with no load.

For drilling in metal, use only perfectly sharpened HSS drill bits (HSS = high-speed steel). The appropriate quality is guaranteed by the Bosch accessories program.

Before screwing larger, longer screws into hard materials, it is advisable to predrill a pilot hole with the core diameter of the thread to approx.  $\frac{2}{3}$  of the screw length.

**Maintenance and Service****Maintenance and Cleaning**

► **Before any work on the machine itself (e. g. maintenance, tool change, etc.) as well as during transport and storage, remove the battery from the power tool.**

There is danger of injury when unintentionally actuating the On/Off switch.

► **For safe and proper working, always keep the machine and ventilation slots clean.**

When the battery is no longer operative, please refer to an authorised after-sales service agent for Bosch power tools.

If the machine should fail despite the care taken in manufacturing and testing procedures, repair should be carried out by an after-sales service centre for Bosch power tools.

In all correspondence and spare parts order, please always include the 10-digit article number given on the type plate of the machine.

**After-sales Service and Customer Assistance**

Our after-sales service responds to your questions concerning maintenance and repair of your product as well as spare parts. Exploded views and information on spare parts can also be found under:

**www.bosch-pt.com**

Our customer service representatives can answer your questions concerning possible applications and adjustment of products and accessories.

## 8 | English

**Great Britain**

Robert Bosch Ltd. (B.S.C.)  
 P.O. Box 98  
 Broadwater Park  
 North Orbital Road  
 Denham  
 Uxbridge  
 UB 9 5HJ  
 Tel. Service: +44 (0844) 736 0109  
 Fax: +44 (0844) 736 0146  
 E-Mail: boschservicecentre@bosch.com

**Ireland**

Origo Ltd.  
 Unit 23 Magna Drive  
 Magna Business Park  
 City West  
 Dublin 24  
 Tel. Service: +353 (01) 4 66 67 00  
 Fax: +353 (01) 4 66 68 88

**Australia, New Zealand and Pacific Islands**

Robert Bosch Australia Pty. Ltd.  
 Power Tools  
 Locked Bag 66  
 Clayton South VIC 3169  
 Customer Contact Center  
 Inside Australia:  
 Phone: +61 (01300) 307 044  
 Fax: +61 (01300) 307 045  
 Inside New Zealand:  
 Phone: +64 (0800) 543 353  
 Fax: +64 (0800) 428 570  
 Outside AU and NZ:  
 Phone: +61 (03) 9541 5555  
 www.bosch.com.au

**Republic of South Africa**

**Customer service**  
 Hotline: +27 (011) 6 51 96 00

**Gauteng – BSC Service Centre**

35 Roper Street, New Centre  
 Johannesburg  
 Tel.: +27 (011) 4 93 93 75  
 Fax: +27 (011) 4 93 01 26  
 E-Mail: bsctools@icon.co.za

**KZN – BSC Service Centre**

Unit E, Almar Centre  
 143 Crompton Street  
 Pinetown  
 Tel.: +27 (031) 7 01 21 20  
 Fax: +27 (031) 7 01 24 46  
 E-Mail: bsc.dur@za.bosch.com

**Western Cape – BSC Service Centre**

Democracy Way, Prosperity Park  
 Milnerton  
 Tel.: +27 (021) 5 51 25 77  
 Fax: +27 (021) 5 51 32 23  
 E-Mail: bsc@zsd.co.za

**Bosch Headquarters**

Midrand, Gauteng  
 Tel.: +27 (011) 6 51 96 00  
 Fax: +27 (011) 6 51 98 80  
 E-Mail: rbsa-hq.pts@za.bosch.com

**Transport**

The contained lithium-ion batteries are subject to the Dangerous Goods Legislation requirements. The user can transport the batteries by road without further requirements.

When being transported by third parties (e.g.: air transport or forwarding agency), special requirements on packaging and labelling must be observed. For preparation of the item being shipped, consulting an expert for hazardous material is required.

Dispatch batteries only when the housing is undamaged.

Tape or mask off open contacts and pack up the battery in such a manner that it cannot move around in the packaging. Please also observe possibly more detailed national regulations.

**Disposal**

The machine, rechargeable batteries, accessories and packaging should be sorted for environmental-friendly recycling.

Do not dispose of power tools and batteries/rechargeable batteries into household waste!

Batteries no longer suitable for use can be directly returned at:

**Great Britain**

Robert Bosch Ltd. (B.S.C.)  
 P.O. Box 98  
 Broadwater Park  
 North Orbital Road  
 Denham  
 Uxbridge  
 UB 9 5HJ  
 Tel. Service: +44 (0844) 736 0109  
 Fax: +44 (0844) 736 0146  
 E-Mail: boschservicecentre@bosch.com

**Battery packs/batteries:****Li-ion:**

Please observe the instructions in section "Transport", page 8.

**Subject to change without notice.**





**18 V (Li-Ion)**  
2 607 336 039 (1.3 Ah)  
1 600 Z00 000 (1.5 Ah)



**AL 2204 CV**  
**(14.4 - 18 V)**  
2 607 225 277 (AU)

**AL 2215 CV**  
**(14.4 - 18 V)**  
1 600 Z00 003 (AU)

