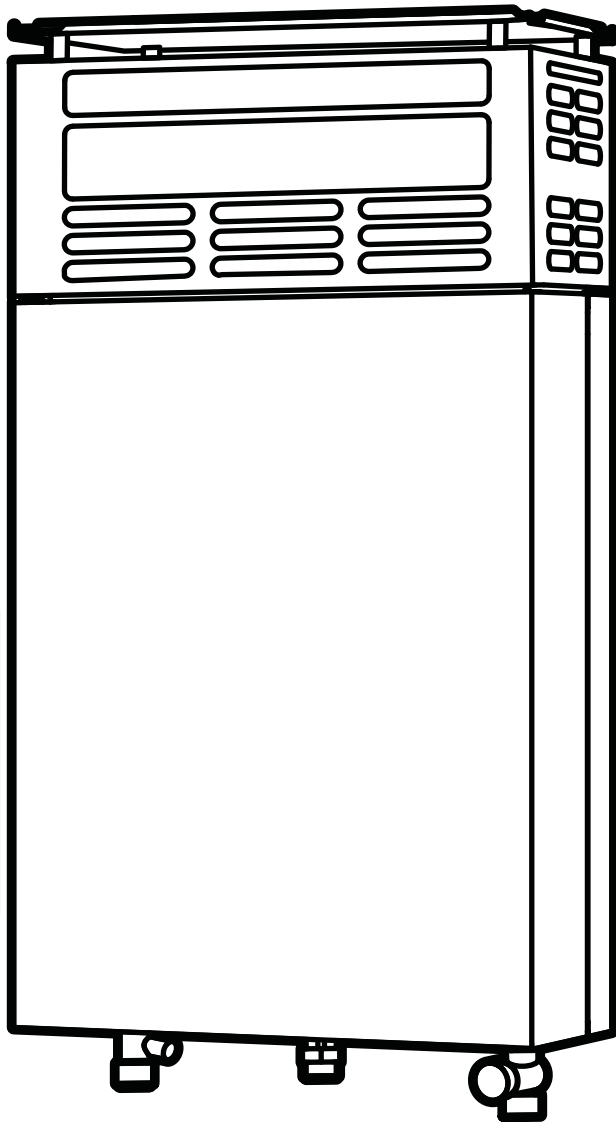


Rinnai

Operation & Installation Manual Rinnai Instantaneous Water Heater



Model - IHF10

This appliance shall be installed in accordance with:

- Manufacturer's Installation Instructions
- Current AS/NZS 3500 & AS/NZS 5601
- Local Regulations and Municipal Building Codes including local OH&S requirements

This appliance must be installed, maintained and removed by an Authorised Person.

For continued safety of this appliance it must be installed operated and maintained in accordance with the manufacturers instructions.

This appliance is not suitable for use as a pool heater.



The Australian
Gas Association
All Rinnai gas products
are A.G.A. certified.



This Appliance complies
with AS 3498:2009
AGA LIC. 60089

This page is intentionally blank.

OPERATION

REGULATORY INFORMATION	1
WARNING ABOUT HOT WATER.....	1
FEATURES AND BENEFITS.....	2
IMPORTANT INFORMATION	3
OPERATION	4
DELIVERY TEMPERATURE.....	4
WATER FLOW AND TEMPERATURE ADJUSTMENT	5
TROUBLESHOOTING	6
MAINTENANCE.....	6
INSTALLATION	8
CONTACT INFORMATION	17

REGULATORY INFORMATION

Your Rinnai Instantaneous water heater has been certified for water, plumbing and gas safety. Certification details are shown on the appliance.

This Appliance must be installed correctly by an authorised person. The installation of gas and water must conform to local regulations.

The installation must also comply with the instructions supplied by Rinnai.

All dimensions referred to in these instructions are in millimetres, unless otherwise specified.

Please keep this instruction booklet in a safe place for future reference.

Notice to Victorian Consumers

This appliance must be installed by a person licensed with the Plumbing Industry Commission.

Only a licensed person will have insurance protecting their workmanship.

So make sure you use a licensed person to install this appliance and ask for your Compliance Certificate.

For Further information contact the Plumbing Industry Commission on 1800 015 129.

WARNING ABOUT HOT WATER



Hot Water can cause severe scalds.

Those most at risk are children disabled, elderly and the infirm.

ALWAYS.....

Test the temperature of the water with your elbow before placing your child in the bath, also carefully feel water before bathing or showering yourself.

Supervise children whenever they are in the bathroom.

Make sure that the hot water tap is turned off tightly.

CONSIDER.....

Installing child proof tap covers or child resistant taps (both approaches will prevent a small hand being able to turn on the tap).

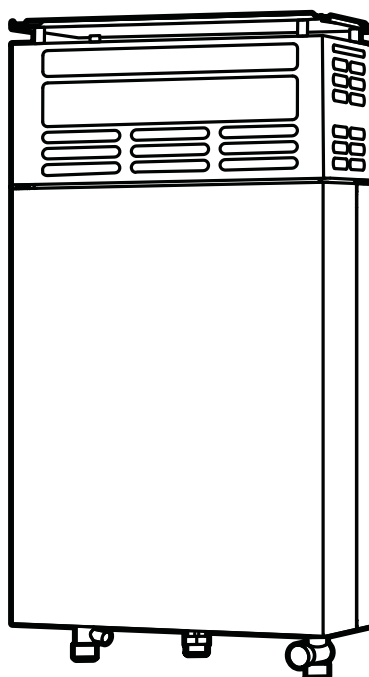
Consider having temperature limiting devices such as tempering valves installed in the heated water supply to bathrooms.

NEVER.....

Leave a toddler in the care of another child. They may not understand the need to have the water temperature set at a safe level.

FEATURES AND BENEFITS

Congratulations on purchasing the Rinnai Instantaneous water heating system.



- The appliance NEVER RUNS OUT of hot water. Whilst water and gas supplies are connected and available and battery power is available, hot water is delivered whenever hot water taps are open.
- The appliance is compact, saving both wall and floor space.
- The burner lights automatically when the hot water tap is opened, and goes out when the tap is closed. IGNITION IS ELECTRONIC rather than by pilot light for optimum reliability and minimum running costs. When the hot water tap is closed no gas is used.
- The appliance has a very high gas combustion efficiency minimising gas consumption and operating cost.
- Operating noise level is very low.

Unlike most other instantaneous water heaters, this model is fitted with a battery powered electronic ignition and microprocessor control module offering unique benefits as follows:

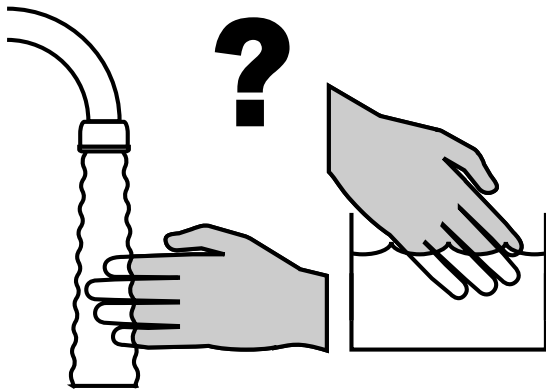
- Electronic ignition rather than ignition by pilot light ensures optimum reliability and minimum running costs as no gas is used when the hot water tap is closed.
- The water temperature and gas flow are microprocessor controlled offering superior performance.
- Battery power ensures optimum reliability and eliminates the need for a mains power supply and associated costs.

Unlike most other instantaneous water heaters, this appliance also has a modern state of the art flue design for reliable operation even under high wind conditions.

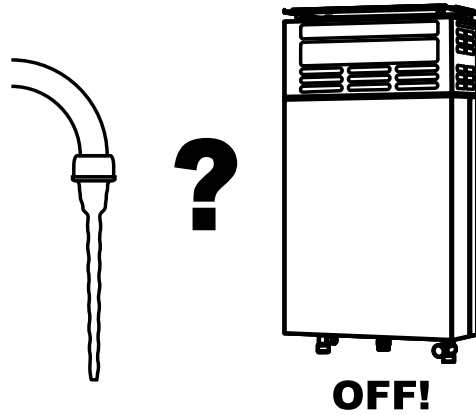
IMPORTANT INFORMATION



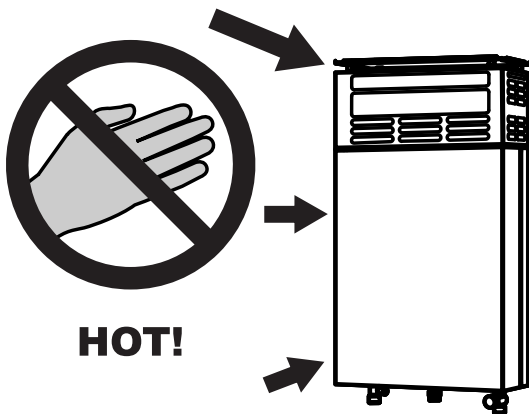
The range of Rinnai Instantaneous water heaters referred to in this manual are incompatible with solar water heating systems. A dedicated range of solar compatible continuous flow water heaters is available from Rinnai.



Always check water temperature carefully before use. Refer to the **WARNING ABOUT HOT WATER** in this manual for important safety information.



At low water flows, the hot water unit may extinguish without warning. Opening the tap further will restart the appliance.



Do Not touch the unit cover or the flue outlet.
Do Not insert objects into the flue outlet.

On colder days steam may discharged from the flue outlet. This condition is normal for high efficiency appliances and does not indicate a fault.



Keep flammable materials, spray cans, fuel containers, pool chemicals, trees, shrubs, etc. well clear of the flue outlet.

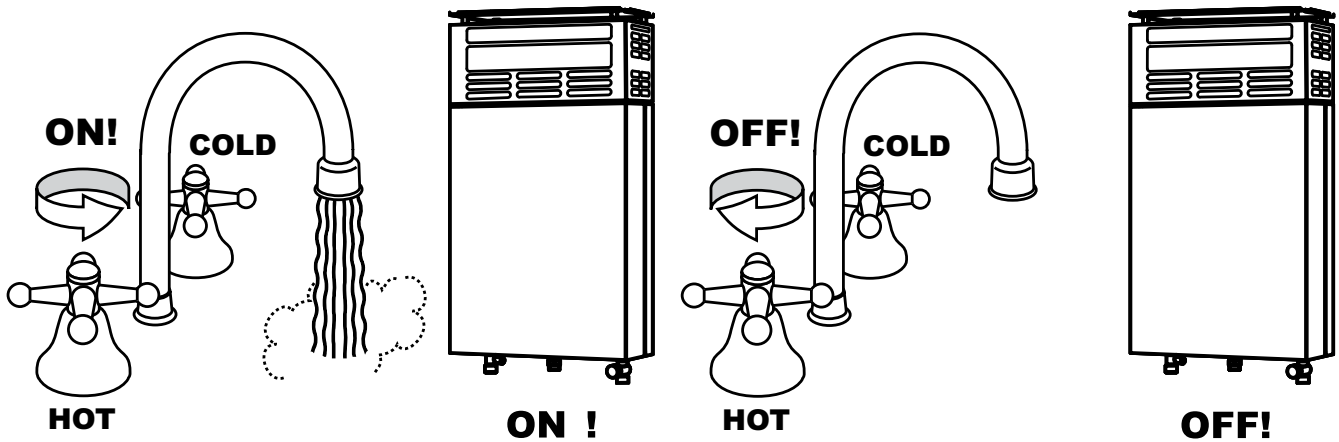
Do Not spray water directly into the flue terminal.

OPERATION

The opening of any hot water tap will automatically start the appliance.

Once water is flowing through the appliance the burner will be ignited by electronic ignition via the electronic ignition and control module.

When the hot water tap is closed and water flow through the appliance has stopped the burner flame will extinguish.



Hot Water can cause severe scalds.

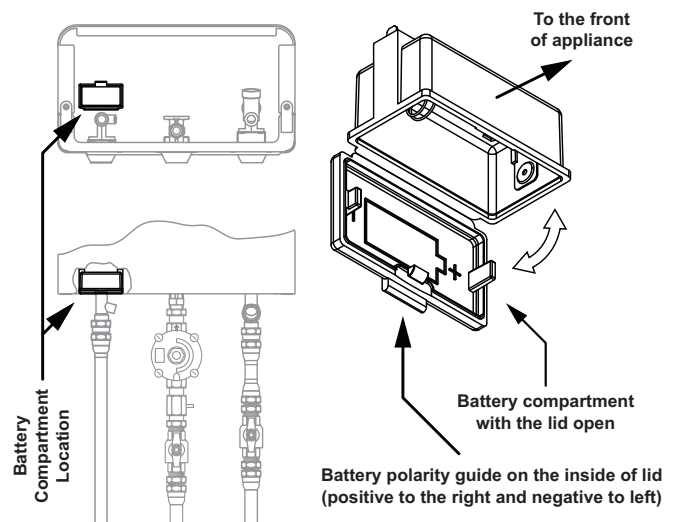
Those most at risk are children disabled, elderly and the infirm.

Battery for electronic ignition and control module

A long life 1.5 Volt "D" size battery is supplied with the appliance and should have been fitted by your installer.

If the battery runs flat, replace it with a new 1.5 Volt "D" size battery. Long life batteries are recommended. The battery compartment is located on the left hand side at the bottom of the appliance. Approximate battery life is 6 months. Actual battery life may be different depending on individual hot water usage patterns.

1. Locate the battery compartment and open the hinged lid (opens towards the rear of appliance).
2. Remove the expired battery and replace it with a new battery ensuring that the correct polarity is observed, as is shown on the inside of the battery compartment lid.
3. Close the battery compartment lid.



DELIVERY TEMPERATURE

The delivery temperature set point programmed into the electronic ignition and control module is 60°C.

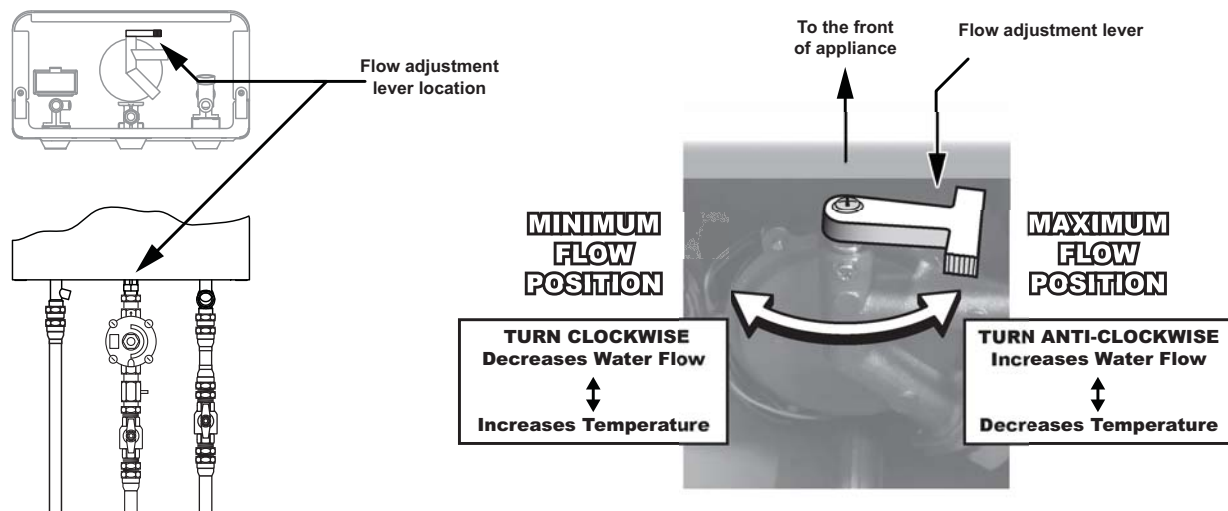
The actual delivery temperature may be lower depending on the prevailing operating conditions, for example, low incoming cold water temperatures and high water flow rates.

OPERATION

WATER FLOW AND TEMPERATURE ADJUSTMENT

Water fixtures with a rated water flow rate of 7.5 litres per minute or higher are recommended.

A water flow adjustment lever is fitted to adjust the maximum water flow from the appliance. Such adjustment may be useful to compensate for seasonal variations in the temperature of the cold water supply.



- Turning the water flow adjustment lever towards the left (Clockwise) will decrease the water flow and increase the hot water temperature. This setting is recommended during winter.
- Turning the water flow adjustment lever towards the right (Anti-clockwise) will increase the water flow and decrease the hot water temperature. This setting is recommended during summer.
- If the heated water temperature delivered from an outlet is not hot enough it can normally be increased to the desired temperature by closing the tap a little as this will reduce the water flow rate.
- The appliance has a minimum water flow rate that is required for operation. If the water heater does not activate when opening a tap, the flow rate may be too low. Open the tap a little more to increase the water flow rate.

Freezing Weather



This water heater MUST NOT be installed in areas where the temperature remains below 0°C for extended periods.

If freezing conditions are expected (drop below 0°C), turn off water and gas and drain all water from the appliance to prevent damage by expansion of freezing water.

For appliances installed in locations where the temperature falls below 0°C for short periods, the installation of an Anti Freezing Relief Valve will minimise the possibility of damage to the appliance.

TROUBLESHOOTING

Problem	Fault	Solution
Burner does not ignite, or is difficult to ignite	No gas supply	Check gas is turned on at water heater and gas meter or cylinder
	Low battery power	Replace battery
	Other	Service Call
Pilot lights but no main burner	Low water pressure	Check water pressure
	Low battery power	Change battery
	Run out of cylinder gas	Replace gas cylinder
	Other	Service call
low water temperature	Low gas pressure	Check gas pressure. To be carried out by an authorised person only
	Run out of cylinder gas	Replace gas cylinder
	Excessive water flow rate	Reduce water flow from heater (Turn water lever clockwise)
	Other	Service call
Low water flow	Low water pressure	Check water pressure to appliance
	Blocked outlet fixture	Check and clean
	Other	Service call
Cuts off when operating	Interrupted gas supply	Service Call
	Run out of cylinder gas supply	Replace gas cylinder
	Other	Service call
Smell gas	Faulty / loose gas connection	Service call
Water leakage from appliance	Damaged components and connections	Service call
	Frost damage	Service call
Water leakage from pressure relief valve	Excessive pressure.	Check water supply pressure
	Faulty pressure relief valve	Service call

MAINTENANCE

Rinnai has a Service and Spare Parts network with personnel who are fully trained and equipped to give the best service on your appliance. If your appliance requires service, please call our National Help Line. Rinnai recommend that the appliance be serviced by an authorised person every 2 years.

This page is intentionally blank.

INSTALLATION

OPERATION	ii
GENERAL INSTALLATION INSTRUCTIONS	9
REGULATIONS	9
APPLICABLE MODELS	9
UNPACKING THE APPLIANCE	9
APPLIANCE LOCATION	9
PIPE SIZING	9
WATER SUPPLY	9
HOT WATER DELIVERY TEMPERATURE	10
MOUNTING THE APPLIANCE	10
SERVICE CONNECTION POINTS	10
SPECIFICATIONS	11
HORIZONTAL FLUE TERMINAL CLEARANCES	12
APPLIANCE DIMENSIONS	13
WIRING DIAGRAM	14
COMMISSIONING	15
TESTING	15
COMMISSIONING CHECK LIST	16
CONTACT INFORMATION	17

GENERAL INSTALLATION INSTRUCTIONS

REGULATIONS

This appliance must be installed in accordance with:

- Current AS/NZS 3500 and AS/NZS 5601
- Rinnai Installation Instructions
- Local regulations and municipal building codes including local OH&S requirements

Installation, Service and Removal MUST BE by an Authorised Person only.

The Authorised Person performing the installation is responsible for:

1. Correct commissioning of the appliance.
2. Ensuring the appliance performs to the specifications on the dataplate.
3. Demonstrating the operation of the appliance to the customer, including water flow rate adjustment.
4. Demonstrating the location of the battery compartment and how to replace the battery.
5. Advising the customer of the need for regular servicing (Rinnai recommends servicing every 2 years).
6. Handing these instructions to the customer.

APPLICABLE MODELS

These Installation Instructions apply only to the following Rinnai Instantaneous water heater model listed on the cover page of this manual.

UNPACKING THE APPLIANCE

Packed with the appliance should be the Operating / Installation Manual, Commissioning check list, Warranty booklet, Gas adaptor with washer, Gas regulator, Regulator inlet pressure testing point and Battery. Remove all packaging and protective materials from the appliance and accessories. If any damage is evident or any accessories are missing **DO NOT** install or operate the appliance. Contact your supplier for advice.

APPLIANCE LOCATION

- This appliance is designed for 'Outdoor' Installation only. As such, it must be located in an above ground open air situation with natural ventilation, without stagnant areas, where gas leakage and products of combustion are rapidly dispersed by wind and natural convection.
- This appliance must be mounted on a vertical structure with the water and gas connections on the underside pointing downwards. For appliances installed on elevated structures or under floors specific requirements apply. Refer to AS/NZS 5601 for details.
- This appliance must not be used as a domestic spa, swimming pool heater or as part of a solar hot water system.
- This appliance must be placed as close as practicable to the most frequently used hot water outlet or outlets to minimise the delay time for hot water delivery.
- All appliances must be installed to ensure access can be gained without hazard or undue difficulty for inspection, repair, renewal or operational purposes. Sufficient clearances shall allow access to, and removal of, all serviceable components.
- Appliances should not be mounted higher than 2.5 metres above the ground or floor level unless the customer can arrange permanent and safe access or can provide another means of access, for example, by means of scissor or boom lifts acceptable to local authorities.

PIPE SIZING

- See Table 1 (Specification table) for appliance gas consumption. If the gas pipe sizing is insufficient the customer will not get the full performance benefit. Gas pipe sizing must consider the gas input to this appliance as well as all the other gas appliances in the premises. The gas meter and regulator must be specified for this gas rate. An approved sizing chart such as the one in AS/NZS 5601 should be used.
- Water pipe sizing and layout should be performed in accordance with AS/NZS 3500. All hot water pipe-work should be insulated to optimise performance and energy efficiency.

WATER SUPPLY

- See Table 1 (Specification table), for applicable water pressures. Approved pressure limiting valves may be required if the 'Maximum' rated water supply pressures in Table 1 are exceeded. To achieve the rated flow, the

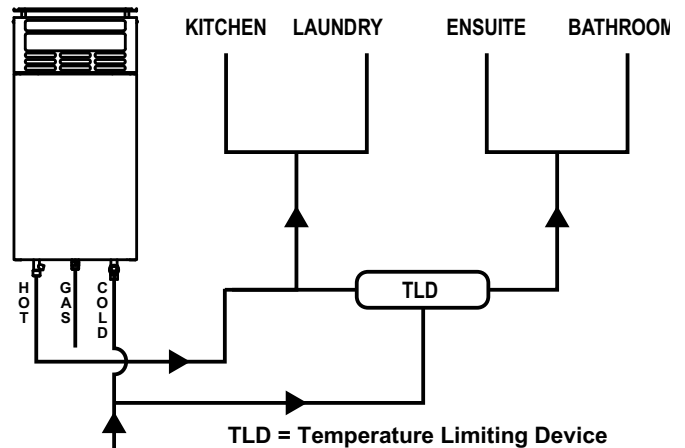
GENERAL INSTALLATION INSTRUCTIONS

'Minimum' water supply pressures in Table 1 must be supplied. The water heaters will operate at lower pressures but will not achieve the rated flow.

- Water chemistry and impurity limits are detailed in the separate Warranty booklet. Most metropolitan water supplies fall within the requirements. If you are unsure about your local water quality, contact your water authority. If sludge or foreign matter is present in the water supply, a suitable filter or strainer should be incorporated in the water supply to the water heater.

HOT WATER DELIVERY TEMPERATURE

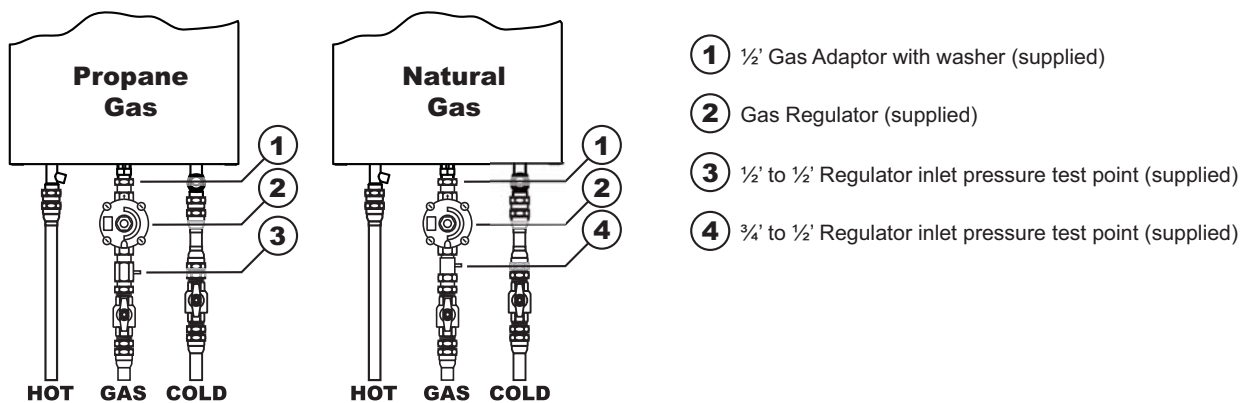
- The delivery temperature set point programmed into the electronic ignition and control module is 60°C. The actual delivery temperature may be lower depending on the prevailing operating conditions, for example, low incoming cold water temperature and high water flow rate.
- Local regulations and/or the requirements of AS/NZS 3500 must be considered regarding the temperature limitations of hot water supplied to areas used primarily for personal hygiene. The temperature of water to these areas may be limited to 50°C or less. This can be achieved by the use of a Temperature Limiting Device (TLD). Installation with a TLD is to be in accordance with the diagram right.



MOUNTING THE APPLIANCE

- See Table 1, (Specification table) for individual appliance weights. The wall or structure on which the units are to be mounted must be capable of supporting these weights and the associated pipe-work.
- Ensure that suitable fixing screws or bolts are used to secure the unit to the wall; in accordance with AS/NZS 5601. Wooden plugs shall not be used.
- Figure 2, page 13 shows the position of the mounting holes on the back panel of the appliance
- The appliance can be mounted directly against the wall or structure, however the heat shield kit (IHF10HS) as supplied is to be fitted to meet the temperature hazard protection requirements of AS/NZS 5601.

SERVICE CONNECTION POINTS



See Table 1, (Specification table) for individual appliance connection / fitting dimensions. That these dimensions are NOT an indication of the pipe sizes required.

- An approved full flow isolation valve and disconnection union MUST be fitted to the cold water inlet.
- A non return valve is not required unless required by local regulations. Isolation valves must not be fitted directly to the appliance.
- Purge gas and cold water supply lines to remove air and swarf before final connection of the appliance. Swarf in either the gas or water supplies may cause damage or malfunction. These are not covered by warranty.

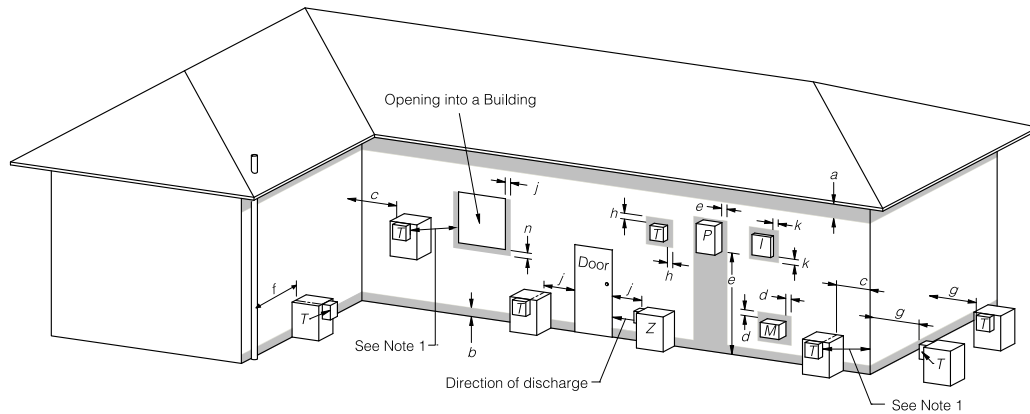
SPECIFICATIONS

Model	Water Supply kPa			Weight KG	Fittings		
	Minimum Inlet Water Pressure For 10L/min.	Minimum Inlet Water Pressure For Operation	Maximum Inlet Water Pressure		Hot & Cold Water	Natural Gas	Propane Gas
IHF10	120	40	1000	14	R 1/2" BSP Male	R 1/2" BSP Female	R 1/2" BSP Male

Model	Gas Type	Inlet Gas Pressure kPa	Burner TPP kPa	Nominate Gas Consumption MJ/h	Heating Capacity at 25°C rise
IHF10	NG	1.13	0.69	76.2	10 L/min
IHF10	Propane	2.75	2.38	76	

Table 1 - Appliance Specification

HORIZONTAL FLUE TERMINAL CLEARANCES



T = Flue terminal Z = Fan assisted flue appliance only M = Gas meter P = Electricity meter or fuse box I = Mechanical air inlet

■ Shading indicates prohibited areas for flue terminals

Ref.	Item	Min. clearances (mm)
		Natural draft
Below eaves, balconies and other projections:		
a	• Appliances up to 50 MJ/h input	300
	• Appliances over 50 MJ/h input	500
b	From the ground, above a balcony or other surface *	300
c	Front a return wall or external corner *	500
d	From a gas meter (M) (see 5.11.5.9 for vent terminal location of regulator) (see Table 6.6 for New Zealand requirements)	1000
e	From an electricity meter or fuse box (P) †	500
f	From a drain pipe or soil pipe	150
g	Horizontally from any building structure* = or obstruction facing a terminal	500
h	From any other flue terminal, cowl, or combustion air intake †	500
Horizontally from an openable window, door, non-mechanical air inlet, or any other opening into a building with the exception of sub-floor ventilation:		
j	• Appliances up to 150 MJ/h input *	500
	• Appliances over 150 MJ/h input up to 200 MJ/h input *	1500
	• Appliances over 200 MJ/h input up to 250 MJ/h input *	1500
	• Appliances over 250 MJ/h input *	1500
	• All fan-assisted flue appliances, in the direction of discharge	-
k	From a mechanical air inlet, including a spa blower	1500
Vertically below an openable window, non-mechanical air inlet, or any other opening into a building with the exception of sub-floor ventilation:		
n	• Space heaters up to 50 MJ/hr input	150
	• Other appliances up to 50 MJ/hr input	500
	• Appliances over 50 MJ/h input and up to 150 MJ/h input	1000
	• Appliances over 150 MJ/h input	1500

* - unless appliance is certified for closer installation

† - Prohibited area below electricity meter or fuse box extends to ground level.

NOTES:

- Where dimensions c, j or k cannot be achieved an equivalent horizontal distance measured diagonally from the nearest discharge point of the terminal to the opening may be deemed by the Technical Regulator to comply.
- See Clause 6.9.4 for restrictions on a flue terminal under a covered area.
- See Figure J3 for clearances required from a flue terminal to an LP Gas cylinder. A flue terminal is considered to be a source of ignition.
- For appliances not addressed above acceptance should be obtained from the Technical Regulator.

FIGURE 6.2 (in-part) MINIMUM CLEARANCES REQUIRED FOR BALANCED FLUE TERMINALS

Figure 1. Extract from AS/NZS 5601

APPLIANCE DIMENSIONS

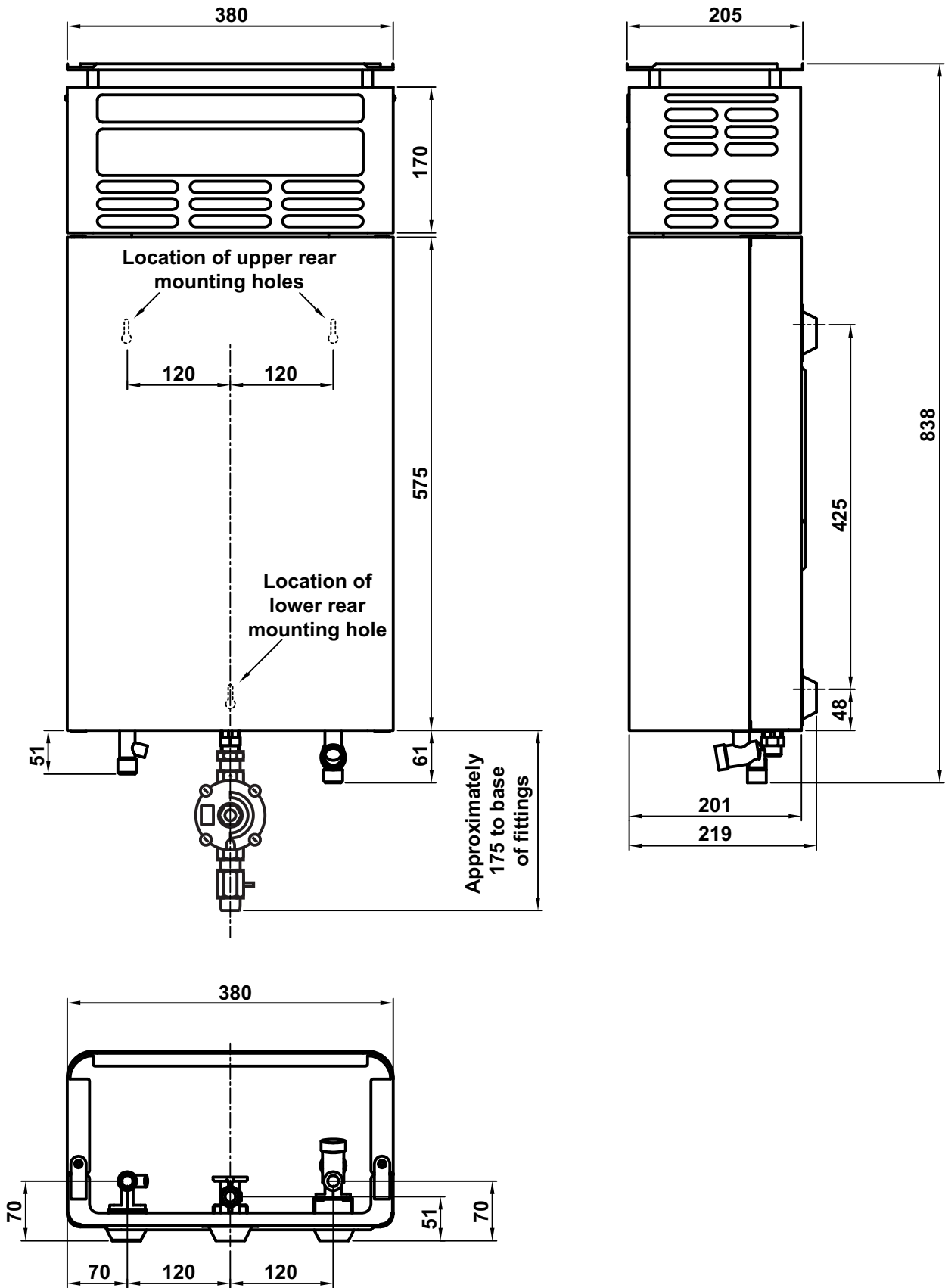
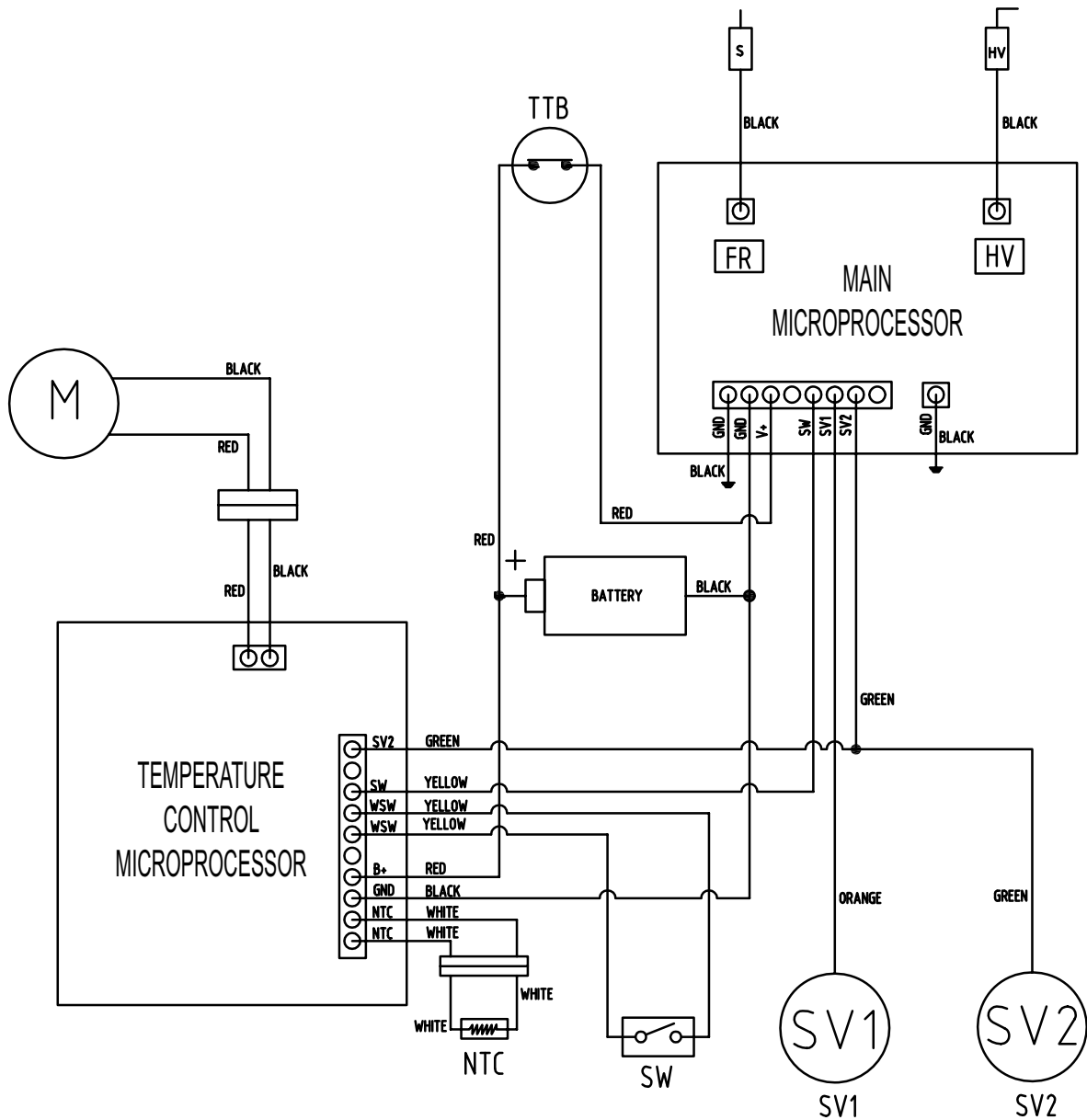


Figure 2.

WIRING DIAGRAM



SV1	Solenoid Valve 1
SV2	Solenoid Valve 2
HV	High Voltage Lead (Ignition)
FR	Flame Rod
TTB	Temperature Overheat Switch (Self-resetting)
M	Modulation Motor
NTC	Thermistor (Heated water outlet temperature)
SW	Micro-switch

Figure 3.

COMMISSIONING

TESTING

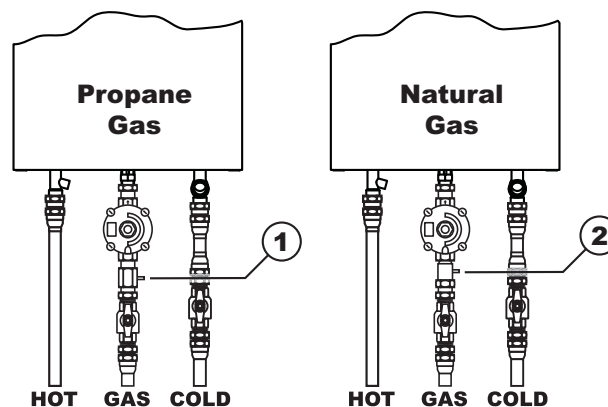
1. Before final connection of the water heater purge gas, hot water and cold water supply lines. Swarf in either the gas or water supplies may cause damage or malfunction which is not covered by warranty.
2. See table 1 for connection size, water and gas pressure specifications.
3. Turn on gas and cold water supplies.
4. Test for water leaks and gas escapes.
5. Isolate gas and water supplies. Remove test point screw located on the regulator inlet pressure test point and attach pressure gauge Figure 4.
6. Turn on gas and open hot water taps fully. Ensure water flow lever is in the maximum flow position, see page 5.
7. With all gas appliances in operation at maximum gas rate, the pressure at the regulator inlet pressure test point should read between 1.13 - 3.0 kPa on Natural Gas. On LPG the pressure should be 2.75 - 3.0 kPa. If the pressure is lower, the gas supply is inadequate and the appliance will not operate to specification. It is the Installers responsibility to check the gas meter, service regulator and pipe work for correct operation/ sizing and rectify as required.



If the sparker activates but the pilot and main burner do not light, then the gas pressure at the outlet of the regulator is too low.

Increase the pressure at the outlet of the regulator by slowly turning the adjustment screw clockwise until a suitable pilot flame and main burner flame are established.

8. Replace the test point screw on the regulator inlet pressure test point.
9. Isolate gas and water supplies. Remove the test point screw located to the burner pressure test point on the left hand side of burner manifold as shown right and attach pressure gauge Figure 5.
10. Turn on the gas and open hot water taps fully. Ensure the water flow lever is in the maximum flow position.
11. For burner test point pressures refer to the appliance data plate. If the pressures are different adjust the inlet gas regulator to achieve the required burner test point pressures.
12. Close all hot water taps including the shower.
13. Inspect and clean the strainer located on the cold water inlet connection. This procedure may need to be repeated to ensure the strainer remains clear, especially on new installations Figure 6.
14. After testing is completed, explain to the householder the functions and operation of the water heater.



- 1 Propane gas regulator inlet pressure test point screw
- 2 Natural gas regulator inlet pressure test point screw

Figure 4.

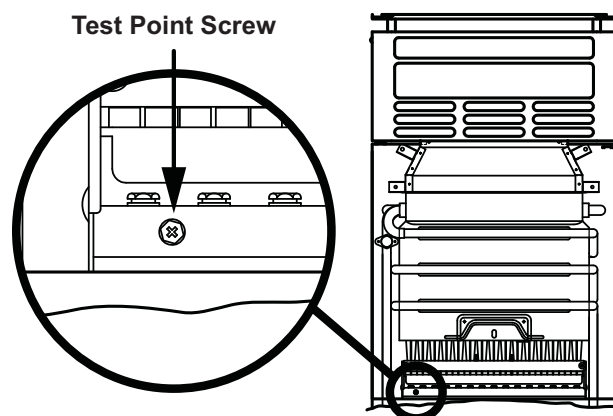


Figure 5.

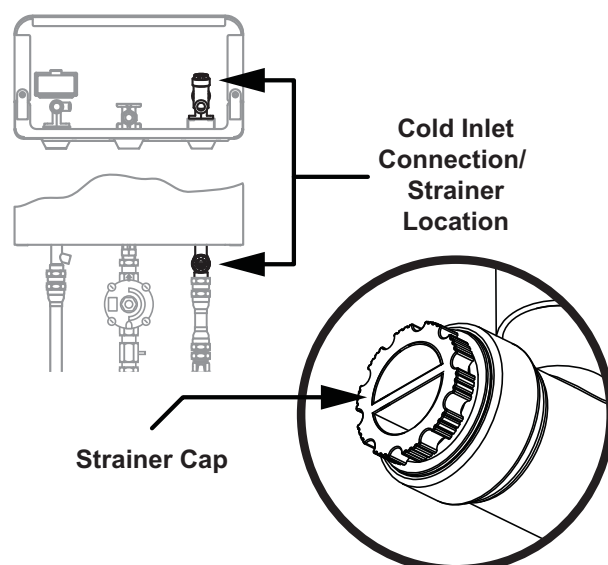


Figure 6.

COMMISSIONING

COMMISSIONING CHECK LIST

A commissioning check list is provided on the appliance front cover to enable the installer to step through the correct commissioning procedure when installing a Rinnai water heater.

The check list can also assist the installer to identify potential installation errors that may prevent the appliance from operating correctly.

Rinnai

Rinnai Australia Pty. Ltd. ABN 74 005 138 769

Head Office

100 Atlantic Drive,
Keysborough, Victoria 3173
P.O. Box 460
Braeside, Victoria 3195
Tel: (03) 9271 6625
Fax: (03) 9271 6622

Rinnai has a Service and Spare Parts network with personnel who are fully trained and equipped to give the best service on your Rinnai appliance. If your appliance requires service, please call our National Help Line. Rinnai recommends that this appliance be serviced every 2 years.

Internet: www.rinnai.com.au E-mail: enquiry@rinnai.com.au

National Help Line

Tel: 1300 555 545* Fax: 1300 555 655*

**Cost of a local call higher from mobile or public phones.*

