



# HLF 940 90cm Multifunction SurroundTemp Oven



77L



HydroClean



Full Extension  
Telescopic  
Guide



SurroundTemp

**DESCRIPTION**

90cm Multifunction SurroundTemp Oven

**LIFE STYLE**

Maestro

**COLOURS**



**REFERENCE**

REF. 41592224  
EAN. 8421152155059

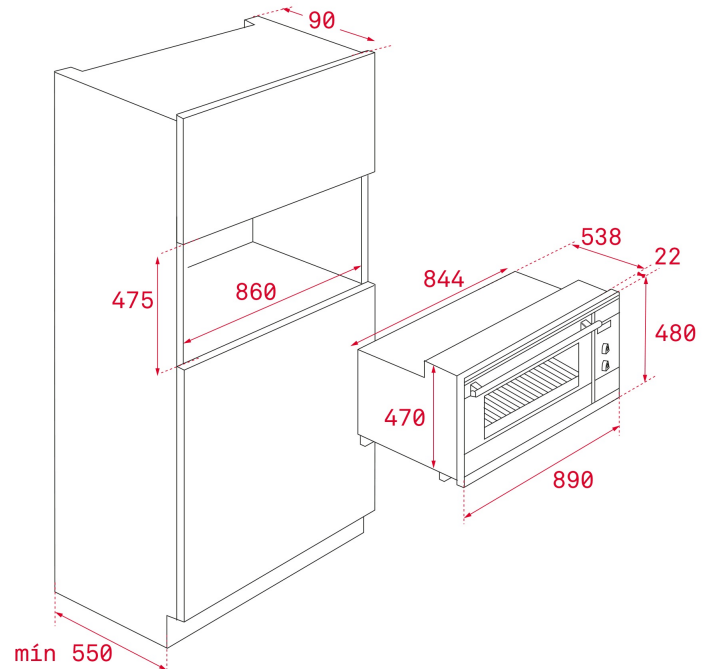


**TEKA**

**HLF 940**

**FEATURES**

Multifunction SurroundTemp  
HydroClean® PRO cleaning system  
Plus + Full Extension telescopic guides  
Children safety block  
Dynamic ventilation  
Door three glasses  
Anti-tip deep & baking trays and cooking grid



## DIMENSIONS

Product height (mm): 480

Product width (mm): 890

Product depth (mm): 538+22

Product length (mm):

Net weight (Kg): 51

## TECH SPECS

### PARTICULAR CHARACTERISTICS

**Certificates:** N / CE / CCA / CB

**Number of cavities:** 1

**Enamelled cavity:** Yes

**Function selector:** 10+0

**Number of cooking functions:** 9

**Grill function:** Yes

**MaxiGrill function:** Yes

**Bottom function:** Yes

**Turbo function:** Yes

**Touch Control Programmer:** Yes

**Removable chromed tray guides:** Yes

**Number of guide levels:** 5

**Full extension telescopic guides:** Yes

**Drop-down grill:** Yes

**Forced refrigeration tangential 1 speed:** Yes

### ELECTRIC CONNECTION

**Maximum Nominal Power (W):** 3553

**Frequency (Hz):** 50/60

**Power rate (V):** 220-240

**Cable Connection Length (cm):** 180

## ENERGY CONSUMPTION

**Plug:** Yes  
**Inside light Consumption (W):** 25

**Energy consumption per cycle in conventional mode (kWh):** 1.1  
**Energy consumption per cycle in fan-forced convection mode (kWh):** 0,86  
**Bottom Heating Element (W):** 1055  
**Grill (W):** 1700  
**Maxi Grill (W):** 2750  
**Traditional (W):** 2105  
**Turbo (W):** 2400  
**Multifunction Turbo (W):** 30  
**Cooling Fan Motor (W):** 18

## SECURITY SYSTEM

**Automatic disconnection when opening the door:** Yes  
**Panel blocking system:** Yes  
**Children safety block option:** Yes  
**Grill protection:** Yes  
**Anti-tip tray system:** Yes  
**Safety Thermostat:** Yes

## CLEANING SYSTEM

**Crystal Clean Enamel (Slippery):** Yes  
**Hydroclean PRO:** Yes

## ACCESSORIES

**Baking Tray:** 1  
**Deep Tray (50 mm):** 1  
**Reinforced grid:** 1

