

INDUCTION COOKTOP

WHI324BA

CONGRATULATIONS

Dear customer,

Congratulations on the purchase of your new cooktop.

Before you use the cooktop, we recommend that you read through the whole user manual which provides the description of the cooktop and its functions.

To avoid the risks that are always present when you use an electrical appliance, it is important that the cooktop is installed correctly and that you read the safety instructions carefully to avoid misuse and hazards.

We recommend that you keep this instruction booklet for future reference and pass it on to any future owners.

After unpacking the appliance, please check it is not damaged. If in doubt, do not use the appliance but contact your local Customer Care Centre.

For contact details, refer to the last page of this user manual. This appliance complies with requirements of Australian Standard AS/NZS 60335.2.6

Conditions of use

This appliance is intended to be used in household and similar applications such as:

- Staff kitchen areas in shops, offices and other working environments
- Farm houses
- By clients in hotels, motels and other residential type environments
- Bed and breakfast type environments

Please ensure you read the instruction manual fully before you call for service, or a full service fee could be applicable.

Record model and serial number here:

Model number:.....

Serial number:.....

PNC:.....

CONTENTS

Important safety instructions.....	3
Installation instructions.....	5
Product description.....	7
Operating instructions.....	9
Helpful hints and tips.....	11
Care and cleaning.....	12
Troubleshooting.....	13
Warranty.....	15

Please read the user manual carefully and store in a handy place for later reference.

The symbols you will see in this booklet have these meanings:



WARNING

This symbol indicates information concerning your personal safety.



CAUTION

This symbol indicates information on how to avoid damaging the appliance.



IMPORTANT

This symbol indicates tips and information about use of the appliance.



ENVIRONMENT

This symbol indicates tips and information about economical and ecological use of the appliance.

IMPORTANT SAFETY INSTRUCTIONS



IMPORTANT

Check for any damage or marks

If you find the cooktop is damaged or marked, you must report it within 7 days if you wish to claim for damage/marks under the manufacturer's warranty. This does not affect your statutory rights.



ENVIRONMENT

Information on disposal for users

- All of the packaging materials are recyclable. Please dispose of those materials through your local recycling depot or by placing them in appropriate collection containers.
- If you wish to discard this product, please contact your local authorities and ask for the correct method of disposal.



WARNING

Risk of suffocation, injury or permanent disability.

- Do not let persons, children included, with reduced physical sensory, reduced mental functions or lack of experience and knowledge use the appliance. They must have supervision or instruction for the operation of the appliance by a person who is responsible for their safety.
- Do not let children play with the appliance.
- Keep all packaging away from children.
- Keep children and pets away from the appliance when it operates or when it cools down. Accessible parts are hot.
- If the appliance has a child safety device, we recommend that you activate it.

Installation



WARNING

Only a qualified person must install this appliance.

- Remove all the packaging.
- Do not install or use a damaged appliance.
- Obey the installation instruction supplied with the appliance.
- Keep the minimum distance from the other appliances and units.
- Always be careful when you move the appliance because it is heavy. Always wear safety gloves.
- Seal the cut surfaces with a sealant to prevent moisture to cause swelling.
- Protect the bottom of the appliance from steam and moisture.
- Do not install the appliance adjacent to a door or

under a window. This prevents hot cookware to fall from the appliance when the door or the window is opened.

- If the appliance is installed above drawers make sure that the space, between the bottom of the appliance and the upper drawer, is sufficient for air circulation.
- Make sure that the ventilation space of 5 mm, between the worktop and the front of the below unit, is free. The warranty does not cover damages caused by the lack of an adequate ventilation space.
- The bottom of the appliance can get hot. We recommend to install a non-combustible separation panel under the appliance to prevent access to the bottom.

Electrical connection



WARNING

Risk of fire and electrical shock.

- All electrical connections must be made by a qualified electrician. Before wiring make sure the mains terminal is not live.
- Make sure the appliance is installed correctly. Loose and incorrect plug and socket connections can make the terminal become too hot.
- The appliance must be installed correctly to ensure anti-shock protection.
- Cables from other electrical appliances must not touch the hot surface of the appliance.
- Other than the connection point in the terminal block, do not let the electrical supply cord touch the appliance or hot cookware. Ensure electrical supply cord is not tangled.
- Use a strain relief clamp on cable.
- Use the correct mains cable.
- Make sure there is no damage to the mains plug and to the mains cable. Contact the Service or an electrician to change a damaged mains cable.
- The electrical installation must have an isolation device which lets you disconnect the appliance from the mains at all poles. The isolation device must have a contact opening width of minimum 3mm.
- Use only correct isolation devices: line protecting cut-outs, fuses (screw type fuses removed from the holder), earth leakage trips and contactors.

IMPORTANT SAFETY INSTRUCTIONS

Use



WARNING

Risk of injury, burns or electric shock.

- Use this appliance in a household environment.
- Do not change the specification of this appliance.
- Do not use an external timer or a separate remote-control system to operate the appliance.
- Do not let the appliance stay unattended during operation.
- Do not operate the appliance with wet hands or when it has contact with water.
- Do not put cutlery or saucepan lids on the cooking zones. They can become hot.
- Set the cooking zone to “off” after each use. Do not rely on the pan detector.
- Do not use the appliance as a work surface or as a storage surface.
- If there is a crack on the surface, disconnect power supply to prevent the electrical shock.
- Users with a pacemaker must keep a distance of minimum 30 cm from the induction cooking zones when the appliance is in operation.



WARNING

Risk of fire or explosion.

- Fats and oil when heated can release flammable vapours. Keep flames or heated objects away from fats and oils when you cook with them.
- The vapours that very hot oil releases can cause spontaneous combustion.
- Used oil, that can contain food remnants, can cause fire at a lower temperature than oil used for the first time.
- Do not put flammable products or items that are wet with flammable products in, near or on the appliance.
- Do not try to extinguish a fire with water. Disconnect the appliance and cover the flame with a lid or a fire blanket.



WARNING

Risk of damage to the appliance.

- Do not keep hot cookware on the control panel.
- Do not let cookware to boil dry.
- Be careful not to drop utensils or cookware on the glass, the glass surface can be damaged
- Do not activate the cooking zones with empty cookware or without cookware.
- Do not put aluminium foil on the appliance.
- Cookware made of cast iron, aluminium or with a damaged bottom can cause scratches on the glass ceramic. Always lift these objects up when you have to move them on the cooking surface.

Care And Cleaning



WARNING

Risk of damage to the appliance.

- Regularly clean the appliance to prevent deterioration of the surface material.
- Do not use water spray and steam to clean the appliance.
- Clean the appliance with a moist soft cloth. Only use neutral detergents. Do not use abrasive products, abrasive cleaning pads, solvents or metal objects.

INSTALLATION INSTRUCTIONS

Built-in appliances

- Only use the built-in appliances after you assemble the appliance into correct built-in units and work surfaces that align to the standards.

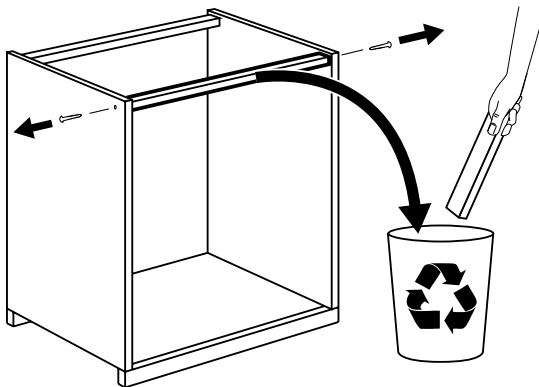
Connection cable

- Use the correct mains cable of type H05BB-F Tmax 90°C (or higher) for a single phase or two phase connection.
- Replace the damaged mains cable with a special cable (type H05BB-F Tmax 90°C or higher). Speak to your local Service Centre.

To attach the seal

- Clean the worktop in the area of the cut out section.
- Bond the seal stripe supplied on the lower edge of the appliance along the outer edge of the glass ceramic. Do not extend it. Let stay the cut ends in the middle of one side. When, you cut it to length (add some mm), push the two ends together.

Assembly



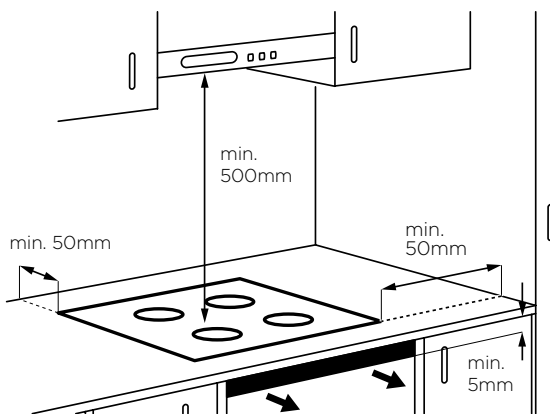
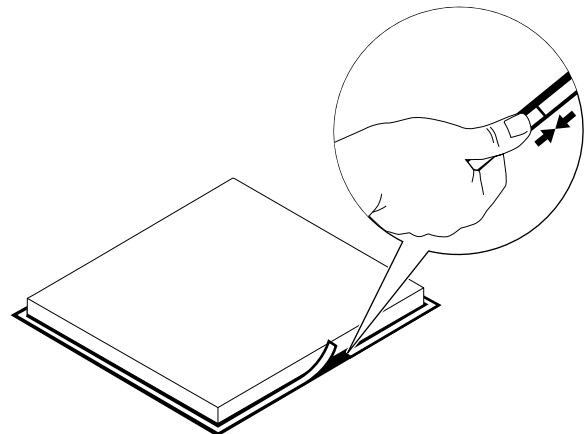
IMPORTANT

Before the installation, note down the serial number (Ser. Nr.) from the rating plate. The rating plate of the appliance is on its lower casing.

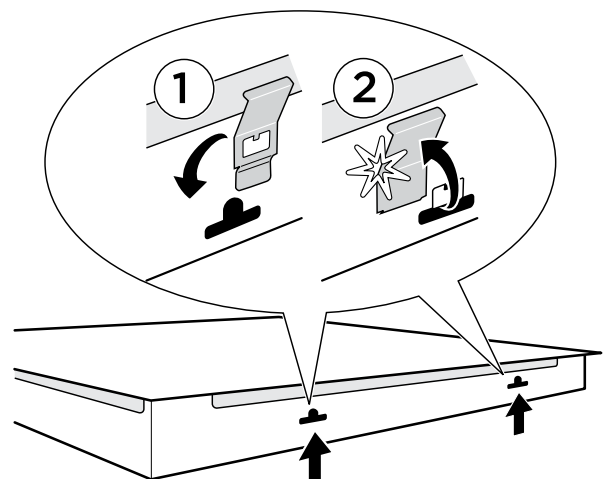


WARNING

Refer to "Safety information" chapter.

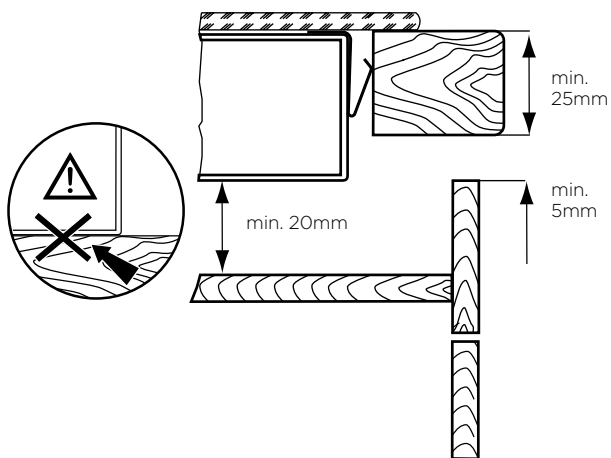
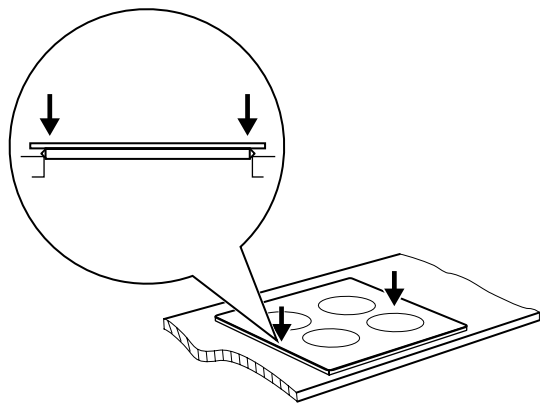
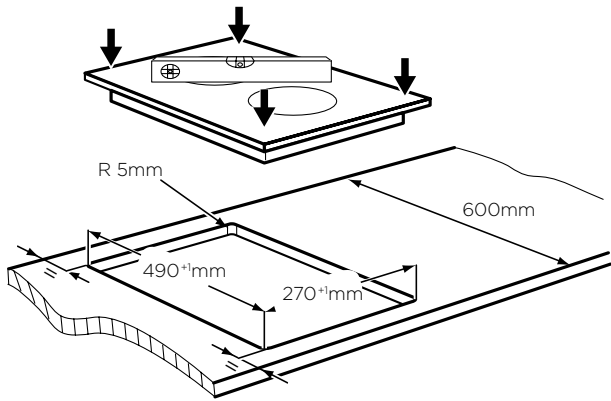


Make sure that a ventilation space of 5mm directly below the benchtop is included in the installation and kept free during use of the appliance. The warranty does not cover functional failures caused by the lack of an adequate ventilation space



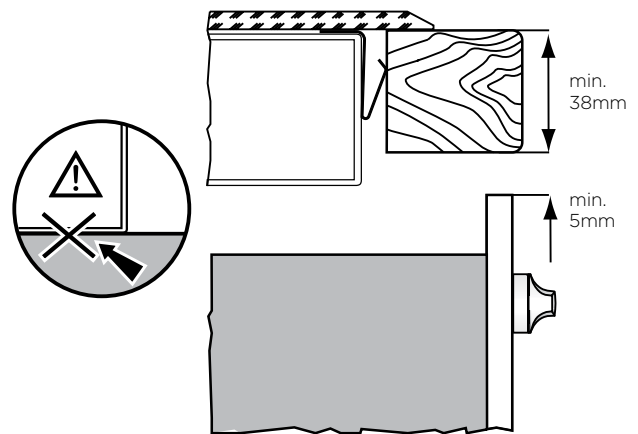
INSTALLATION INSTRUCTIONS (CONTINUED)

WHI324BA



Technical data

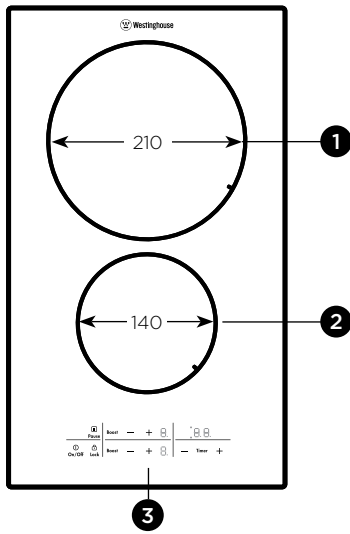
	WHI324BA
PNC	949 163 288
Product dimensions (w x d) mm	300 x 520
Cut-out dimensions (w x d) mm	270 x 490
Voltage (volts)	220-240
Cycles (Hz)	50-60
Total power	3700
Elements (Watts)	2
Front (Watts)	1400/2500
Rear (Watts)	2300/ 3200



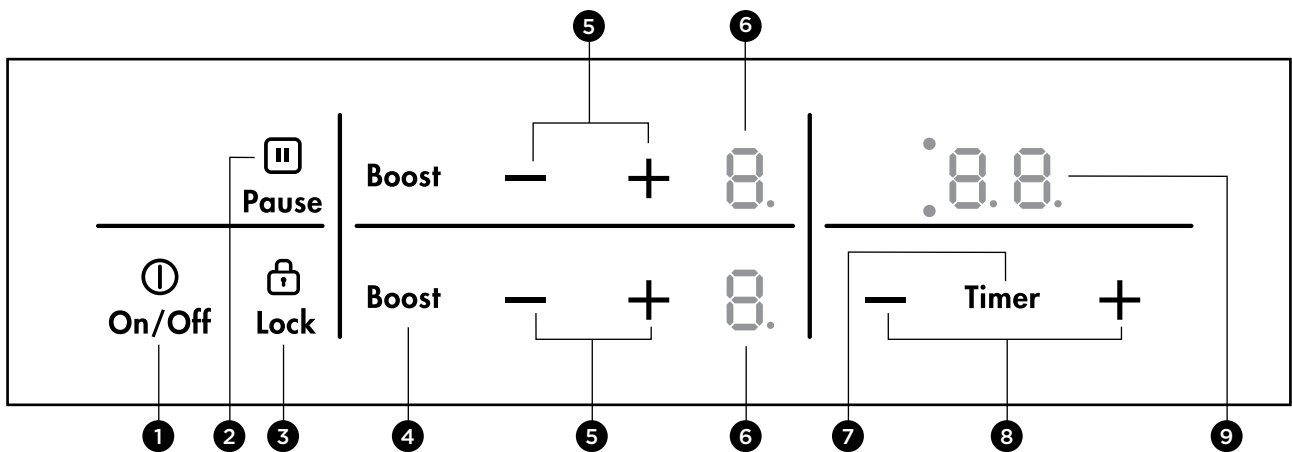
Make sure that a ventilation space of 5mm directly below the benchtop is included in the installation and kept free during use of the appliance. The warranty does not cover functional failures caused by the lack of an adequate ventilation space

PRODUCT DESCRIPTION

WHI324BA



- ① Induction cooking zone 2300 W, with Power function 3200 W
- ② Induction cooking zone 1400 W, with Power function 2500 W
- ③ Control panel





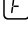







Use the sensor fields to operate the appliance. The displays, indicators and sounds tell which functions operate.

	SENSOR FIELD	FUNCTION
①	ⓘ On/Off	It activates and deactivates the appliance
②	⏸ Pause	Sets all operating zones to a keep warm setting
③	🔒 Lock	It locks/unlocks the control panel
④	Boost	It activates the Power function
⑤	-/+	Increase or decrease the heat setting
⑥	A heat setting display	Shows the heat setting
⑦	Timer	It selects the cooking zone
⑧	-/+	It increases or decreases the time
⑨	The timer display	It shows the time in minutes

PRODUCT DESCRIPTION (CONTINUED)

Heat setting displays

DISPLAY	DESCRIPTION
	The cooking zone is deactivated.
	The cooking zone operates.
	The Keep Warm function operates.
	The Automatic Heat-up function operates.
	The cookware is incorrect or too small, or there is no cookware on the cooking zone.
	There is a malfunction.
	A cooking zone is still hot (residual heat).
	The Lock/Child Safety device operates.
	The Power function operates.
	The Automatic Switch-Off operates.

Residual heat indicator

The induction cooking zones make the heat necessary for cooking directly in the bottom of the cookware. The glass ceramic is hot from the heat of the cookware.




WARNING

 Risk of burns from residual heat!



ENVIRONMENT

Disposal

The symbol  on the product or on its packaging indicates that this product may not be treated as household waste. Instead it should be taken to the appropriate collection point for the recycling of electrical and electronic equipment. By ensuring this product is disposed of correctly, you will help prevent potential negative consequences for the environment and human health, which could otherwise be caused by inappropriate waste handling of this product. For more detailed information about recycling of this product, please contact your local council, your household waste disposal service or the shop where you purchased the product.

Packaging material

The packaging materials are friendly to the environment and can be recycled. The plastic components are identified by marking: >PE<,>PS<, etc. Discard the packaging materials as household waste at the waste disposal facilities in your municipality.

OPERATING INSTRUCTIONS

Activation and deactivation

Touch **On/Off** for 1 second to activate or deactivate the appliance.

Automatic switch off

The function deactivates the appliance automatically if:

- All cooking zones are deactivated (Ⓜ).
- You do not set the heat setting after you activate the appliance.
- You spill something or put something on the control panel for more than 10 seconds, (a pan, a cloth, etc.). The sound operates until you remove the object. Remove the object or clean the control panel.
- The appliance become too hot (e.g. when a saucepan boils dry). Before you use the appliance again, the cooking zone must be cool.
- You use incorrect cookware. The symbol (Ⓢ) comes on and the cooking zone deactivates automatically after 2 minutes.
- You do not deactivate a cooking zone or change the heat setting. After some time, (Ⓜ) comes on and the appliance deactivates. See the table.

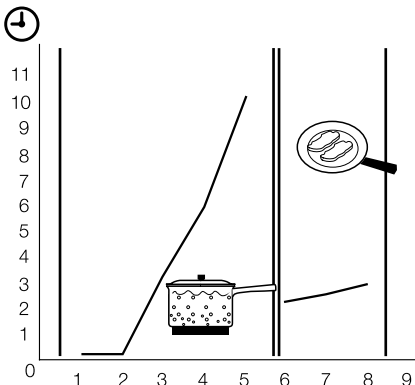
The times of Automatic Switch Off

HEAT SETTING	COOKING ZONE DEACTIVATES AFTER
Ⓜ 1 - 2	6 hours
3 - 4	5 hours
5	4 hours
6 - 9	1.5 hours

The heat setting

Touch **+** to increase the heat setting. Touch **-** to decrease the heat setting. The display shows the heat setting. Touch **+** and **-** at the same time to deactivate the cooking zone.

Automatic heat up



You can get a necessary heat setting in a shorter time if you activate the Automatic Heat Up function. This function sets the highest heat setting for some time (see the illustration above), and then decreases to the necessary heat setting.

To start the Automatic Heat Up function for a cooking zone:

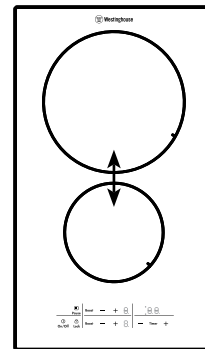
1. Touch **Boost**. The symbol (Ⓜ) comes on in the display.
2. Immediately touch **+** adjacent to the element you want to control. The symbol (Ⓢ) comes on in the display.
3. Immediately touch **-** adjacent to the element you want to control again and again until the necessary heat setting comes on. After 3 seconds (Ⓢ) comes on in the display.
4. To stop the function touch **-** adjacent to the element you want to control.

Power function

The Power function makes more power available to the induction cooking zones. The Power function is activated for 10 minutes at most. After, that the induction cooking zone automatically sets back to highest heat setting.

To activate, touch **Boost**, (Ⓜ) comes on. To deactivate, touch **Boost** or **-** adjacent to the element you want to control.

Power management



The power management divides the power between two cooking zones in a pair (see the figure). The power function increases the power to the maximum level for one cooking zone in the pair and automatically decreases in the second cooking zone to a lower power level. The display for the reduced zone alternates.

OPERATING INSTRUCTIONS (CONTINUED)

Timer

Use the timer to set how long the cooking zone operates for one cooking session.

You can set the heat setting before or after you set the timer.

- To set the cooking zone: touch **Timer** again and again until the indicator of the necessary cooking zone comes on.
- To activate or change the Timer: touch **+** or **-** of the timer to set the time (00 - 99 minutes). When the indicator of the cooking zone starts to flash slow, the time counts down.
- To deactivate the Timer: select the cooking zone with **Timer** and touch **-** to deactivate the Timer. The remaining time counts back to **00**. The indicator of the cooking zone goes out.
- To see the remaining time: select the cooking zone with **Timer**. The indicator of the cooking zone starts to flash quickly. The display shows the remaining time. When the time comes to an end, the sound operates and **00** flashes. The cooking zone deactivates.
- To stop the sound: touch **Timer**. You can use the Timer as a minute minder while the cooking zones do not operate. Touch **Timer**. Touch **+** or **-** to set the time. When the time comes to an end, the sound operates and **00** flashes.

Pause

The **Pause** function sets all cooking zones that operate to the lowest heat setting **1**.

When **Pause** operates, you cannot change the heat setting.

The **Pause** function does not stop the timer function.

- To activate this function touch **Pause**. The **1** symbol comes on.
- To deactivate this function touch **Pause**. The heat setting that you set before comes on.

Lock

When the cooking zones operate, you can lock the control panel, but not **On/Off**. It prevents an accidental change of the heat setting.

Touch the symbol **Lock**. The symbol **L** comes on for 4 seconds.

To stop this function touch **Lock**. The heat setting that you set before comes on. When you stop the appliance, you also stop this function.

The child safety device

This function prevents an accidental operation of the appliance.

To activate the child safety device

- Activate the appliance with **On/Off**. Do not set the heat settings.
- Touch **Lock** for 4 seconds. The symbol **L** comes on.
- Deactivate the appliance with **On/Off**.

To deactivate the child safety device

- Activate the appliance with **On/Off**. Do not set the heat settings. Touch **Lock** for 4 seconds. The symbol **L** comes on.
- Deactivate the appliance with **On/Off**.

To override the child safety device for only one cooking time

- Activate the appliance with **On/Off**. The symbol **L** comes on.
- Touch **Lock** for 4 seconds. Set the heat setting in 10 seconds. You can operate the appliance.
- When you deactivate the appliance with **On/Off**, the child safety device operates again.

HELPFUL HINTS AND TIPS



IMPORTANT

Use the induction cooking zones with correct cookware.

- Cookware made of enamelled steel and with aluminium or copper bottoms can cause discolouration on glass ceramic surface.

Cookware for induction cooking zones



IMPORTANT

For induction cooking zones a strong electro-magnetic field creates the heat in the cookware very quickly.

Cookware material

- **Correct:** cast iron, steel, enamelled steel, stainless steel, the bottom made of multi-layer (with correct mark from a manufacturer).
- **Not correct:** aluminium, copper, brass, glass, ceramic, porcelain.

Cookware is correct for an induction hob if ...

- Some water boils very quickly on a zone set to the highest heat setting.
- A magnet pulls on to the bottom of the cookware.



IMPORTANT

The bottom of the cookware must be as thick and flat as possible. Cookware dimensions: induction cooking zones adapt to the dimension of the bottom of the cookware automatically to some limit.

The examples of cooking applications

The data in the table is for guidance only.

HEAT SETTING	USE TO:	TIME	HINTS
1	Keep warm the food you cooked	as required	Put a lid on a cookware
1-2	Hollandaise sauce, melt: butter, chocolate, gelatine	5-25 min	Mix from time to time
1-2	Solidify: fluffy omelettes, baked eggs	10-40 min	Cook with a lid on
2-3	Simmer rice and milk based dishes, heating up ready-cooked meals	25-50 min	Add the minimum twice as much liquid as rice, mix milk dishes part procedure through
3-4	Steam vegetables, fish, meat	20-45 min	Add some tablespoons of liquid
4-5	Steam potatoes	20-60 min	Use max. 1/4 L water for 750g of potatoes
4-5	Cook larger quantities of food, stews and soups	60-150 min	Up to 3 L liquid plus ingredients
6-7	Gentle fry: escalope, veal cordon bleu, cutlets, rissoles, sausages, liver, roux, eggs, pancakes, doughnuts	as required	Turn halfway through
7-8	Heavy fry, hash browns, loin steaks, steaks	5-15 min	Turn halfway through
9	Boil large quantities of water, cook pasta, sear meat (goulash, pot roast), deep-fry chips		

The Power function is best to heat up large quantities of water.

The noises during operation

If you can hear

- **crack noise:** cookware is made of different materials (Sandwich construction).
- **whistle sound:** you use one or more cooking zones with high power levels and the cookware is made of different materials (Sandwich construction).
- **humming:** you use high power levels.
- **clicking:** electric switching occurs.
- **hissing, buzzing:** the fan operates.

The noises are normal and do not refer to appliance malfunction.

If unfamiliar with induction units please first compare the operating sounds of a demonstration model at your retailer before calling service. If a service call is placed and the sounds are normal you will be charged for the visit.

Energy saving



ENVIRONMENT

- If it is possible, always put the lids on the cookware.
- Put cookware on a cooking zone before you start it.

CARE AND CLEANING

Care and cleaning

Clean the appliance after each use. Always use cookware with clean bottom.



IMPORTANT

Sharp objects and abrasive cleaning agents will damage the appliance. For your safety, do not clean the appliance with steam blasters or high-pressure cleaners.



IMPORTANT

Scratches or dark stains on the glass ceramic cause no effect on how the appliance operates.

To remove the dirt:



1. **Remove immediately:** melted plastic, plastic foil, and food with sugar. If not, the dirt can cause damage to the appliance. Use a special scraper for the glass. Put the scraper on the glass surface at an acute angle and move the blade on the surface.

Remove after the appliance is sufficiently cool:






limescale rings, water rings, fat stains, shiny metallic discolourations. Use a special cleaning agent for glass ceramic or stainless steel.

2. Clean the appliance with a moist cloth and some detergent.
3. **At the end rub the appliance dry with a clean cloth.**

TROUBLESHOOTING

PROBLEM	POSSIBLE CAUSE AND REMEDY	REMEDY
Red rings, limescale or water rings, shiny metallic or other discolouration, scratches/shadows, bubbles or other miscellaneous marks or stains on ceramic glass cooktop surface.	<ul style="list-style-type: none"> Cooktop surface has not been cleaned correctly. Cleaning/ maintenance of the cooktop surface is not covered under warranty. If a service call is placed to clean the cooktop you will be charged for the visit. 	<ul style="list-style-type: none"> Use a ceramic glass cleaner such as Cerapol.
Pitting of ceramic glass surface.	<ul style="list-style-type: none"> Spillovers of liquid with high sugar content. 	<ul style="list-style-type: none"> These types of spills must be removed immediately with a special scraper for the glass. If not permanent damage to the cooktop glass can occur which is not covered under warranty.
You cannot activate the appliance or operate it.	<ul style="list-style-type: none"> You touched 2 or more sensor fields at the same time. The  function operates. There is water or fat stains on the control panel. 	<ul style="list-style-type: none"> Touch only one sensor field. Refer to the chapter "Operating instructions" Clean the control panel.
You cannot activate the appliance or operate it.	<ul style="list-style-type: none"> You touched 2 or more sensor fields at the same time. The Child Safety Device or the Lock or  operates. There is water or fat stains on the control panel. 	<ul style="list-style-type: none"> Activate the appliance again and set the heat setting in 10 seconds. Only touch one sensor field. See the chapter Operating instruction. Clean the control panel.
A Sound operates and the appliance deactivates. A sound operates when the appliance is deactivated.	<ul style="list-style-type: none"> You put something on one or more sensor fields. 	<ul style="list-style-type: none"> Remove the object from the sensor fields.
The appliance deactivates.	<ul style="list-style-type: none"> You put something on the ①. 	<ul style="list-style-type: none"> Remove object from the sensor field.
The residual heat indicator does not come on.	<ul style="list-style-type: none"> The cooking zone is not hot because it operated only for a short time. 	<ul style="list-style-type: none"> If the cooking zone should be hot, speak to the service centre.
The Automatic Heat Up function does not operate.	<ul style="list-style-type: none"> There is still residual heat on the cooking zone. The highest heat setting is set. 	<ul style="list-style-type: none"> Let the cooking zone become sufficiently cool. The highest heat setting has the same power as the Automatic Heat Up function.

TROUBLESHOOTING (CONTINUED)

PROBLEM	POSSIBLE CAUSE AND REMEDY	REMEDY
The heat setting changes between two levels.	<ul style="list-style-type: none"> The Power management is activated. 	<ul style="list-style-type: none"> See the section Power management.
The sensor fields become hot.	<ul style="list-style-type: none"> The cookware is too large or you put it too near to the controls. 	<ul style="list-style-type: none"> Put large cookware on the rear cooking zones if it is necessary.
 comes on	<ul style="list-style-type: none"> The Automatic Switch Off operates. 	<ul style="list-style-type: none"> Deactivate the appliance and activate it again.
 comes on	<ul style="list-style-type: none"> No cookware on the cooking zone. Not correct cookware. The diameter of the bottom of the cookware is too small for the cooking zone. 	<ul style="list-style-type: none"> Put cookware on the cooking zone. Use the correct cookware. Move cookware to a smaller cooking zone.
 and a number comes on.	<ul style="list-style-type: none"> There is an error in the appliance. 	<ul style="list-style-type: none"> Disconnect the appliance from the electrical supply for some time. Disconnect the fuse from the electrical system of the house. Connect again. If  comes on again, speak to the service centre.
 comes on	<ul style="list-style-type: none"> There is an error in the appliance, because either the cookware boils dry or you've used incorrect cookware. Overheating protection for cooking zone operates. The automatic switch-off operates. 	<ul style="list-style-type: none"> Deactivate the appliance. Remove the hot cookware. After approximately 30 seconds, activate the cooking zone again. If the cookware was the problem, the error message goes out of the display, but the residual heat indicator can stay. Let the cookware become sufficiently cool and refer to "Cookware for the induction cooking zone" to see if your cookware is compatible with the appliance.



WARNING

Repairs to the appliance are only to be carried out by qualified service engineers. Considerable danger to the user may result from improper repairs.



IMPORTANT

If the appliance has been wrongly operated, the visit from the customer service technician or dealer may not take place free of charge, even during the warranty period.

This document sets out the terms and conditions of the product warranties for Electrolux Appliances. It is an important document. Please keep it with your proof of purchase documents in a safe place for future reference should you require service for your Appliance.

1. In this warranty:
 - (a) 'acceptable quality' as referred to in clause 10 of this warranty has the same meaning referred to in the ACL;
 - (b) 'ACL' means Schedule 2 to the Competition and Consumer Act 2010;
 - (c) 'Appliance' means any Electrolux product purchased by you and accompanied by this document;
 - (d) 'ASC' means Electrolux authorised service centres;
 - (e) 'Electrolux' means Electrolux Home Products Pty Ltd of 163 O'Riordan Street, Mascot NSW 2020, ABN 51 004 762 341 in respect of Appliances purchased in Australia and Electrolux (NZ) Limited (collectively 'Electrolux') of 3-5 Niall Burgess Road, Mount Wellington, in respect of Appliances purchased in New Zealand;
 - (f) 'major failure' as referred to in clause 10 of this warranty has the same meaning referred to in the ACL and includes a situation when an Appliance cannot be repaired or it is uneconomic for Electrolux, at its discretion, to repair an Appliance during the Warranty Period;
 - (g) 'Warranty Period' means the Appliance is warranted against manufacturing defects in Australia for 24 months and in New Zealand for 24 months, following the date of original purchase of the Appliance;
 - (h) 'you' means the purchaser of the Appliance not having purchased the Appliance for re-sale, and 'your' has a corresponding meaning.
2. This warranty only applies to Appliances purchased and used in Australia or New Zealand and used in normal domestic applications and is in addition to (and does not exclude, restrict, or modify in any way) any non-excludable statutory warranties in Australia or New Zealand.
3. During the Warranty Period Electrolux or its ASC will, at no extra charge if your Appliance is readily accessible for service, without special equipment and subject to these terms and conditions, repair or replace any parts which it considers to be defective. Electrolux or its ASC may use remanufactured parts to repair your Appliance. You agree that any replaced Appliances or parts become the property of Electrolux. This warranty does not apply to light globes, batteries, filters or similar perishable parts.
4. Parts and Appliances not supplied by Electrolux are not covered by this warranty.
5. To the extent permitted by law, you will bear the cost of transportation, travel and delivery of the Appliance to and from Electrolux or its ASC. If you reside outside of the service area, you will bear the cost of:
 - (a) travel of an authorised representative;
 - (b) transportation and delivery of the Appliance to and from Electrolux or its ASC.

In all instances, unless the Appliance is transported by Electrolux or an Electrolux authorised representative, the Appliance is transported at the owner's cost and risk while in transit to and from Electrolux or its ASC.
6. Proof of purchase is required before you can make a claim under this warranty.
7. You may not make a claim under this warranty unless the defect claimed is due to faulty or defective parts or workmanship. Electrolux is not liable in the following situations (which are not exhaustive):
 - (a) the Appliance is damaged by:
 - (i) accident
 - (ii) misuse or abuse, including failure to properly maintain or service
 - (iii) normal wear and tear
 - (iv) power surges, electrical storm damage or incorrect power supply
 - (v) incomplete or improper installation
 - (vi) incorrect, improper or inappropriate operation
 - (vii) insect or vermin infestation
 - (viii) failure to comply with any additional instructions supplied with the Appliance;
 - (b) the Appliance is modified without authority from Electrolux in writing;
 - (c) the Appliance's serial number or warranty seal has been removed or defaced;
 - (d) the Appliance was serviced or repaired by anyone other than Electrolux, an authorised repairer or ASC.
8. This warranty, the contract to which it relates and the relationship between you and Electrolux are governed by the law applicable where the Appliance was purchased. Where the Appliance was purchased in New Zealand for commercial purposes the Consumer Guarantee Act does not apply.
9. To the extent permitted by law and subject to your non-excludable statutory rights and warranties, Electrolux excludes all warranties and liabilities (other than as contained in this document) including liability for any loss or damage whether direct or indirect arising from your purchase, use or non use of the Appliance.
10. For Appliances and services provided by Electrolux in Australia, the Appliances come with a guarantee by Electrolux that cannot be excluded under the ACL. You are entitled to a replacement or refund for a major failure and for compensation for any other reasonably foreseeable loss or damage. You are also entitled to have the Appliance repaired or replaced if the Appliance fails to be of acceptable quality and the failure does not amount to a major failure. The benefits to you given by this warranty are in addition to your other rights and remedies under a law in relation to the Appliances or services to which the warranty relates.
11. At all times during the Warranty Period, Electrolux shall, at its discretion, determine whether repair, replacement or refund will apply if an Appliance has a valid warranty claim applicable to it.
12. For Appliances and services provided by Electrolux in New Zealand, the Appliances come with a guarantee by Electrolux pursuant to the provisions of the Consumer Guarantees Act, the Sale of Goods Act and the Fair Trading Act.
13. To enquire about claiming under this warranty, please follow these steps:
 - (a) carefully check the operating instructions, user manual and the terms of this warranty;
 - (b) have the model and serial number of the Appliance available;
 - (c) have the proof of purchase (e.g. an invoice) available;
 - (d) telephone the numbers shown below.
14. You accept that if you make a warranty claim, Electrolux and its ASC may exchange information in relation to you to enable Electrolux to meet its obligations under this warranty.

Important Notice

Before calling for service, please ensure that the steps listed in clause 13 above have been followed.

<p>FOR SERVICE or to find the address of your nearest state service centre in Australia PLEASE CALL 13 13 49 For the cost of a local call (Australia only)</p>	<p>SERVICE AUSTRALIA  Electrolux ELECTROLUX HOME PRODUCTS www.electrolux.com.au</p>	<p>FOR SPARE PARTS or to find the address of your nearest state spare parts centre in Australia PLEASE CALL 13 13 50 For the cost of a local call (Australia only)</p>
<p>FOR SERVICE or to find the address of your nearest authorised service centre in New Zealand FREE CALL 0800 10 66 10 (New Zealand only)</p>	<p>SERVICE NEW ZEALAND  Electrolux ELECTROLUX (NZ) Limited www.electrolux.co.nz</p>	<p>FOR SPARE PARTS or to find the address of your nearest state spare parts centre in New Zealand FREE CALL 0800 10 66 20 (New Zealand only)</p>

For more information on all Westinghouse appliances, or for dimension and installation information, call into your retailer, phone or email our customer care team or visit our website:

AUSTRALIA

phone: 1300 363 640

fax: 1800 350 067

email: customercare@electrolux.com.au

web: www.westinghouse.com.au

NEW ZEALAND

phone: 0800 436 245

fax: 0800 225 088

email: customercare@electrolux.co.nz


web: www.westinghouse.co.nz



TOP SERVICE

Top Service encompasses the after sales service provided by The Electrolux Group to consumers including delivery, home service and spare parts.

Westinghouse. We are part of the Electrolux family.
Share more of our thinking at www.electrolux.com

 and WESTINGHOUSE are trademarks of Westinghouse Electric Corporation.
Used under license. All Rights Reserved.

Part Number: A02346401 Issue A
ECN-36240
© 2014 Electrolux Home Products Pty Ltd.
ABN 51 004 762 341
WMAN_WHI324BA_NOV14