

Safety **1st**®

NOOK 4 WHEEL STROLLER

Suitable for newborn to 17kg (approximately 4 years)



Illustration and designs may vary.

CONTENTS

Warnings	3
Components list	4

ASSEMBLING THE STROLLER

Opening stroller	5
Wheels assembly	6
Bumper bar	7

USING THE STROLLER

Operating brakes	8
Front swivel wheels	8
Adjusting backrest	9
Using canopy	9
Adjusting footrest	10
Harness adjustment buckle	11
Adjusting harness height	12
Tether strap	12
Folding stroller	13
Unfolding stroller	14
Carrying stroller	14

CARE AND MAINTENANCE

Care and Maintenance	15
----------------------------	----

CONTACTS

Customer Service	16
------------------------	----

These instructions detail the safe use, assembly and maintenance of your product. Please read these instructions carefully and ensure that they are followed at all times. Failure to do so could result in serious injury or death.



WARNING TO AVOID INJURY OR DEATH:

ALWAYS APPLY THE BRAKES WHENEVER THE STROLLER IS STATIONARY.

FOLLOW THE MANUFACTURER'S INSTRUCTIONS.

DO NOT LEAVE CHILDREN UNATTENDED.

SECURE THE CHILD IN THE HARNESS AT ALL TIMES AND ENSURE THAT THE SAFETY HARNESS IS ADJUSTED FIRMLY BUT COMFORTABLY TO THE CHILD'S BODY.

DO NOT CARRY EXTRA CHILDREN OR BAGS ON THIS STROLLER.

MAKE SURE CHILDREN ARE CLEAR OF ANY MOVING PARTS IF YOU ADJUST THE STROLLER, OTHERWISE THEY MAY BE INJURED.

TO AVOID INJURY ENSURE THAT YOUR CHILD IS KEPT AWAY WHEN FOLDING AND UNFOLDING THE STROLLER.

ENSURE THAT ALL LOCKING DEVICES ARE ENGAGED BEFORE USE.

Never leave safety harness connected when not fitted to a child in the stroller, as this may create loops that cause a strangulation hazard.

Never leave a child in the stroller when ascending or descending stairs or escalators, or when travelling on others forms of transport.

Use the tether strap to prevent the stroller rolling away.

Do not allow children to stand on the seat or footrest.

Do not attempt to lift the stroller by the bumper bar.

Engage front wheel swivel locks when travelling on rough or uneven surfaces.

Regularly inspect all parts and locking devices, promptly replace worn out or broken parts.

Use only those accessories which are supplied by Dorel Australia and approved for use with this stroller.

To prevent the risk of the stroller catching fire, do not park it near an open fire, heater or barbecue.

Fingers or parts of the body could be injured when the stroller is being folded or unfolded. Please use caution when folding or unfolding the stroller.

This stroller has been designed for use on flat or gently sloped surfaces. Using this stroller on uneven or higher sloped surface may cause the stroller to become unstable and tip over.

Do not run or jog with this stroller.

The Nook 4 Wheel Stroller has been approved in accordance with AS/NZS 2088:2013.

The weight of the child using this stroller should not be more than **17kg** (approximately 4 years of age). Shopping basket capacity should not be more than **3kg**.

The maximum combined weight of both canopy pockets must not exceed **1kg**.

Components List



A Handle

B Folding lock button 1

C Folding lock button 2

D Tether strap

E Storage latch

F Shopping cart

G Rear brake lever

H Rear wheels
(both sides)

I Front swivel latches
(both sides)

J Swivel lock wheels
(both sides)

K Canopy visor

L Canopy

M Harness pads

N Bumper bar button

O Bumper bar

P Buckle

Q Reversible seat pad

R Footrest extension

Assembling Stroller

STEP 1: OPENING STROLLER

- If the stroller has a security tie, please remove it.
- Release the storage latch (Figure 1a).
- Simultaneously lift handle while pulling on the frame until the locking mechanism engages (Figure 1b).
- Push down on the handle to check that locks have fully engaged.



WARNING

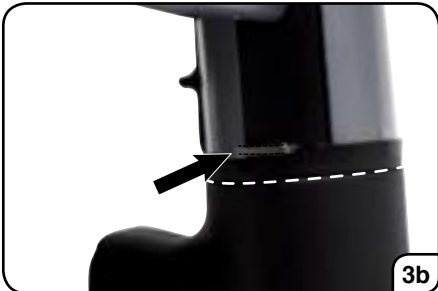
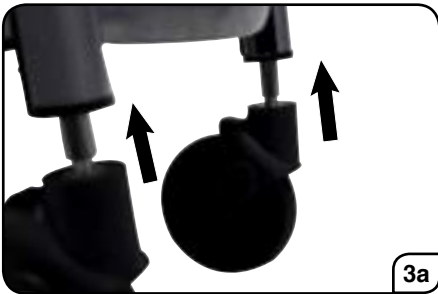
- Folding strollers and accessories will always have the potential to trap fingers or parts of the body between moving parts, causing injuries. Care should be taken while folding or unfolding.
- This vehicle is designed for use on flat or gently sloping surfaces and may be unstable on higher sloping and uneven surfaces. You should always be aware of the possibility of the stroller tipping on uneven or higher sloping surfaces.

Assembling Stroller



STEP 2: REAR WHEEL ASSEMBLY

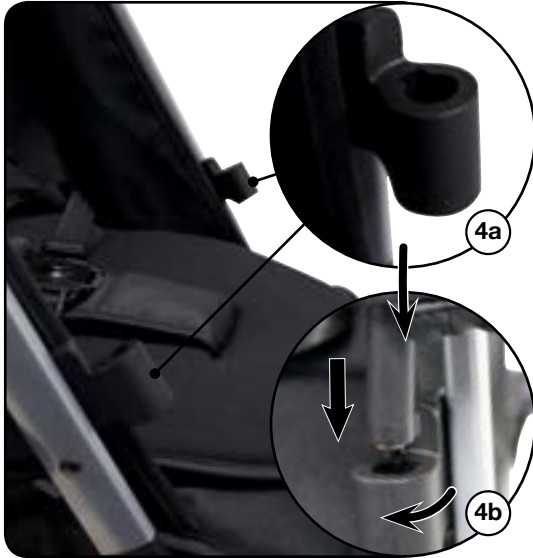
- Slide rear wheels onto the frame of the stroller (Figure 2a).
- Push the wheels in until you hear them lock into place.
- Listen for 'click'.
- To remove the rear wheel assembly, pull and hold the metal tab while removing rear wheel from the axle (Figure 2b). Repeat on the other side.



STEP 3: FRONT WHEEL ASSEMBLY

- Align the shaft on the wheel with the hole in the front leg and push in (Figure 3a). Listen for a 'click'.
- Repeat on the other side.
- To remove the front wheel assembly, locate the metal pin underneath the front tube and push it inwards while pulling the wheel off (Figure 3b).

Assembling Stroller



STEP 4: ATTACH BUMPER BAR

- Align bumper bar shaft with the hole in the frame (Figure 4a).
- Push shaft in, then swivel bumper bar arm towards seat to secure (Figure 4b).
- Repeat on the other side.
- Align both bumper bar arms together, and push in to lock.



OPENING BUMPER BAR

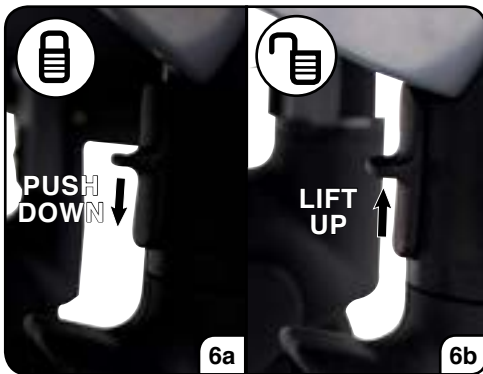
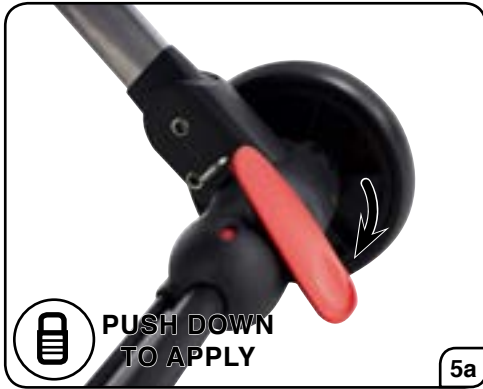
- To open bumper bar, press both buttons in the centre of the bar simultaneously to release (Figure 4c, 4d).



WARNING

The bumper bar is only used for the seat unit. **DO NOT** use it for carrying the stroller.

Using Stroller



OPERATING BRAKES

- To apply the brake, press down firmly on the brake lever using the ball of your foot (Figure 5a).
- To release the brake, kick up the brake lever from below (Figure 5b).



WARNING

Apply all brakes whenever you park the stroller.

OPERATING FRONT SWIVEL WHEELS

- To lock, align the swivel lock latch with the frame and push downwards (Figure 6a).
- To unlock, lift the swivel lock latch upwards (Figure 6b).

Using Stroller

ADJUSTING THE BACKREST

- To set backrest upright, pull both straps outwards until tight (Figure 7a).
- To lower backrest, squeeze clip on both sides to loosen straps (Figure 7b) and pull seat downwards (Figure 7c).

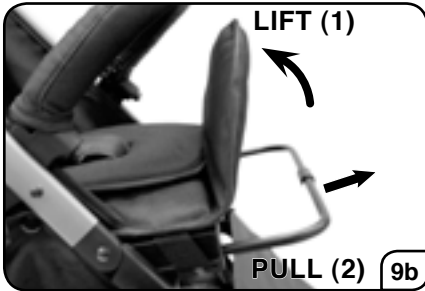


USING CANOPY

- To use the canopy, pull the front edge forward to open (Figure 8a, 8b).
- To extend canopy, flip the visor outwards into position (Figure 8c).



Using Stroller



ADJUSTING FOOTREST EXTENSION

- The footrest's default position is down (Figure 9a).
- To set the footrest into the upright position, lift the footrest pad up and pull the footrest mount forward (Figure 9b).
- Release the footrest pad, and it will sit firmly against the mount (Figure 9c).
- To lower the footrest, simply push the mount back below the seat.



WARNING

Always store the footrest extension bar before folding stroller.

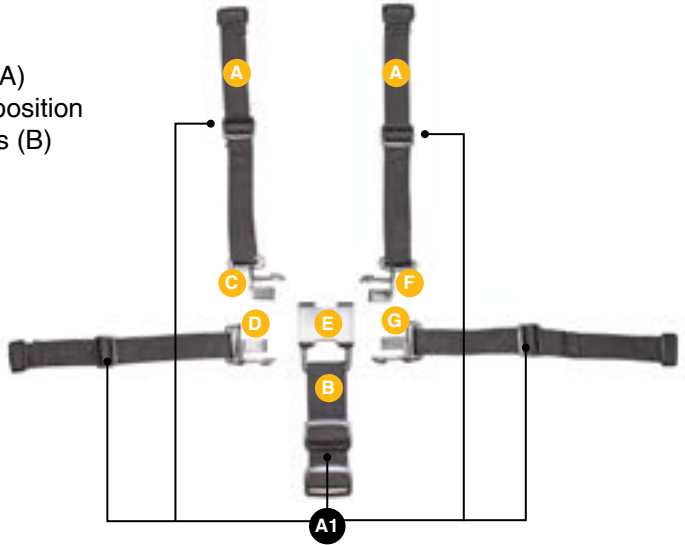
Using Stroller

SECURING YOUR CHILD

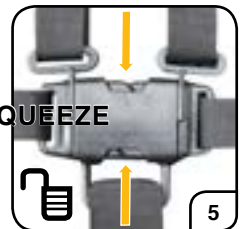
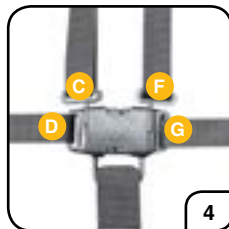
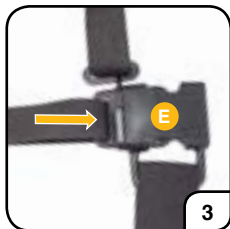
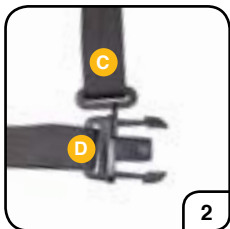
5 points of the harness can be adjusted by moving each straps' slider (**figure A1**).

To tighten or loosen the waist and/or shoulder straps, hold and lift the plastic adjuster. Adjust straps to desired position. The waist strap needs to fit firmly around the child.

1. Slip one shoulder strap (A) over each shoulder and position crotch strap between legs (B)



2. Place buckle prong (D) on top of buckle prong (C)
3. Insert the prongs into the buckle housing (E) until it clicks into position. Repeat the above steps for the opposite side (F and G). Pull straps to ensure they are locked into the buckle assembly.
4. The harness should resemble this image.
5. The buckle is released by squeezing the top and bottom prongs together until harness disengages. (Figure 5).



Using Stroller

ADJUSTING HARNESS HEIGHT

- The harness can be set at varying heights to accommodate the child, depending on the model.
- To change the shoulder harness height, position the shoulder straps near the child's shoulders and push the shoulder harness tongue out of the current harness slot and through the back of the seat. Pull the shoulder harness tongue through the desired slot.



WARNING:

- Use this harness at all times.
- A five-point harness is provided to secure your child.
- When not in use disconnect shoulder straps from the waist strap and buckle.
- The adjusted harness should closely fit the child.

TETHER STRAP

WARNING:

USE THIS STRAP TO STOP THE STROLLER ROLLING AWAY.

- Correct use of the tether strap will prevent stroller runaway and possible injury to the stroller occupant.
- Whenever a child is in the stroller and brakes are not engaged, the large loop should be around your wrist, as per **Figure 14**.



Using Stroller

FOLDING STROLLER

- Fold the canopy back.
- Apply rear brakes.
- Unlock front swivel wheels.
- Adjust the seat backrest to layback position.
- Slide and hold folding lock (Figure 13a) while pushing in button on the underside of the handle (Figure 13b).
- Push forward on the handle to fold the stroller while keeping the folding locks held.
- The storage latch will automatically engage when fully folded (Figure 13d).



Using Stroller

UNFOLDING STROLLER

- Release the storage latch (Figure 14a).
- Lift handle until stroller is fully open and locking mechanism engages (Figure 14b).
- Push down on the handle to check that the locks have been fully engaged.

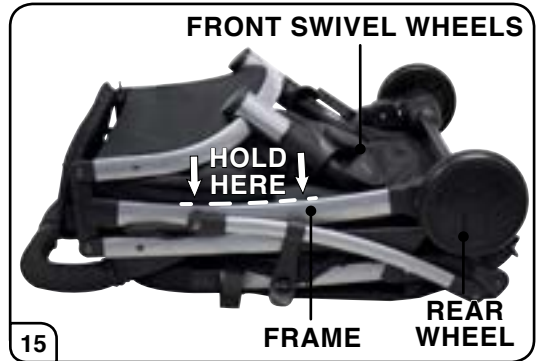


STORAGE LATCH



CARRYING STROLLER

- Fold the stroller, and ensure that storage latch is applied before continuing.
- Carry stroller by holding the portion of frame leading to the rear wheels (Figure 15).



CAUTION

Avoid holding the stroller in other locations to avoid injury from moving parts.

Care and Maintenance

CARE AND MAINTENANCE

- Always store in a clean and dry place.
- Clean the frame by wiping with a damp cloth.
- Do not use abrasives, bleach or strong detergents.
- Spot clean fabrics with warm water and mild soap.
- Ensure fabric is dry before storing.
- Occasionally clean and lubricate wheels with a light lubricating oil.
- Regularly check for loose parts and tighten when required.
- Damaged or broken parts should be immediately replaced.

safety1st.com.au

DOREL AUSTRALIA PTY LTD
655-685 Somerville Road
Sunshine West Victoria 3020
Email: customerservice@dorel.com.au
Phone: 1300 809 526
Hours: 8:30 am - 5:00 pm
Monday to Friday

IGC DOREL NEW ZEALAND LTD
14 Sir William Avenue
East Tamaki Auckland 2013
Email: customerservice@dorel.co.nz
Phone: 0800 628 000 (toll free)
Hours: 8:00 am - 5:00 pm
Monday to Friday



Specifications are subject to change without notice.
Copy or reproduction without permission is prohibited.
© 2016 Dorel Australia Pty Ltd. All Rights Reserved.

www.dorel.com.au