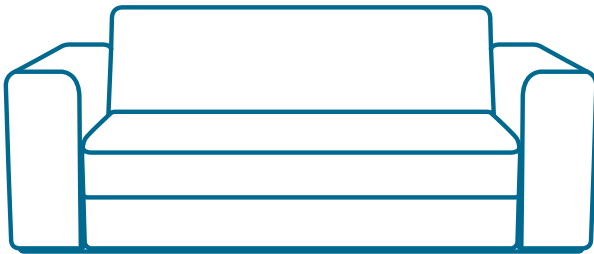


Click the button
to watch the
assembly video



**DOUBLE / QUEEN
ORIGINAL SOFA BED**

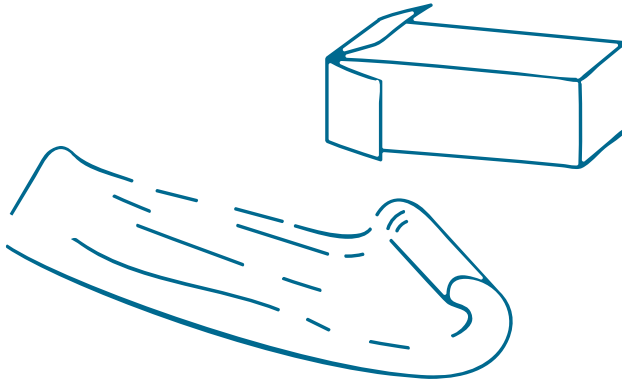
koala

Click the button
to watch the
assembly video

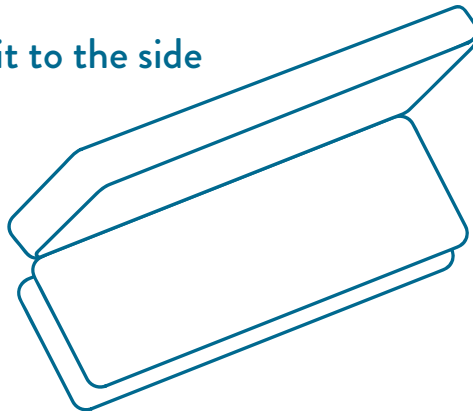


#sleepoverwithkoala

1. open the seat cushion



2. leave it to the side



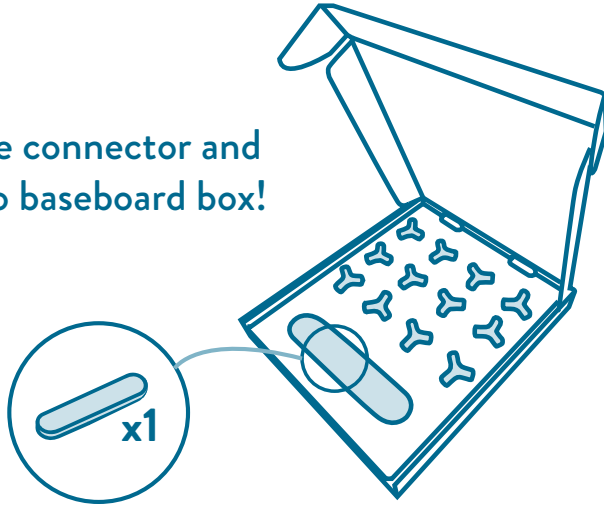
**The Koala Sofa Bed is specially compressed for ease of shipping.
It can take 3-5 days for the seat cushion to come back to its correct shape and feel, but you can sit on it right away. It will just get better over the first few days.

Click the button
to watch the
assembly video

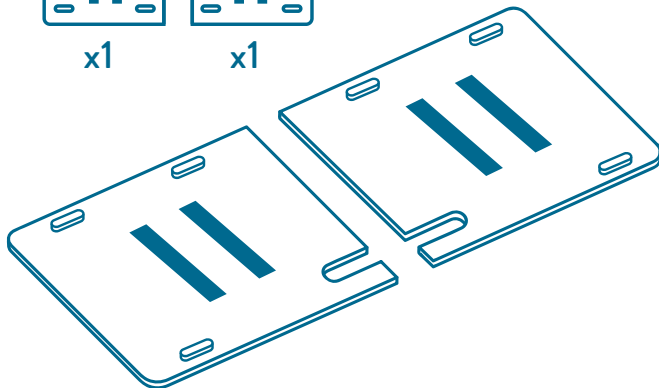
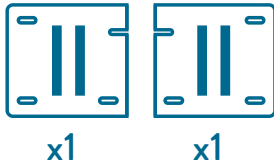


3.

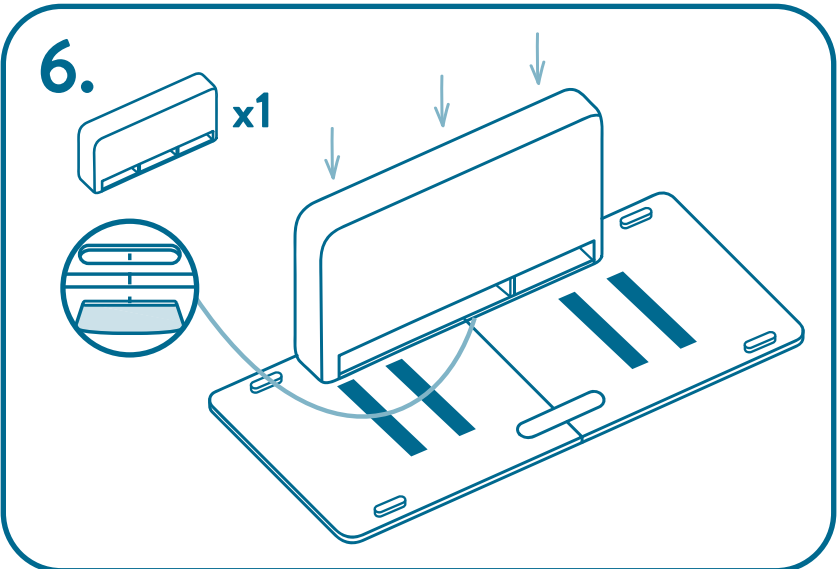
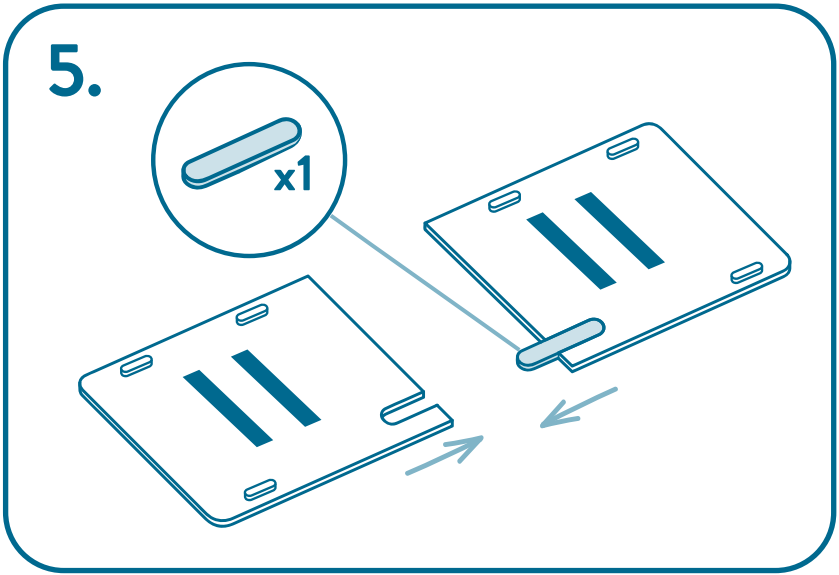
grab the connector and
move to baseboard box!



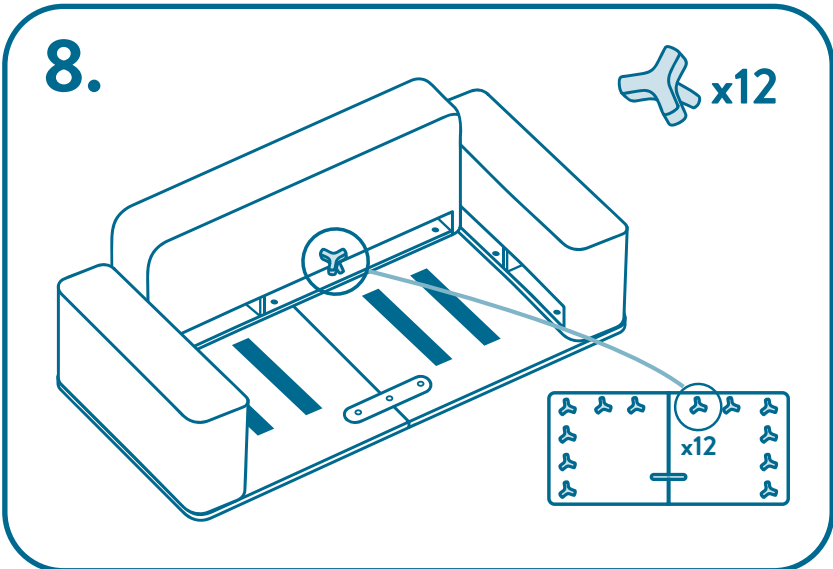
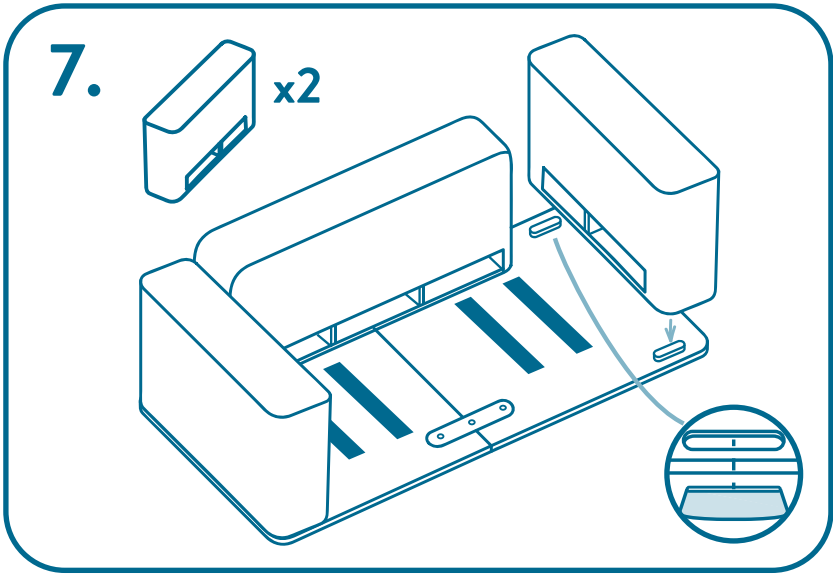
4.



Click the button
to watch the
assembly video

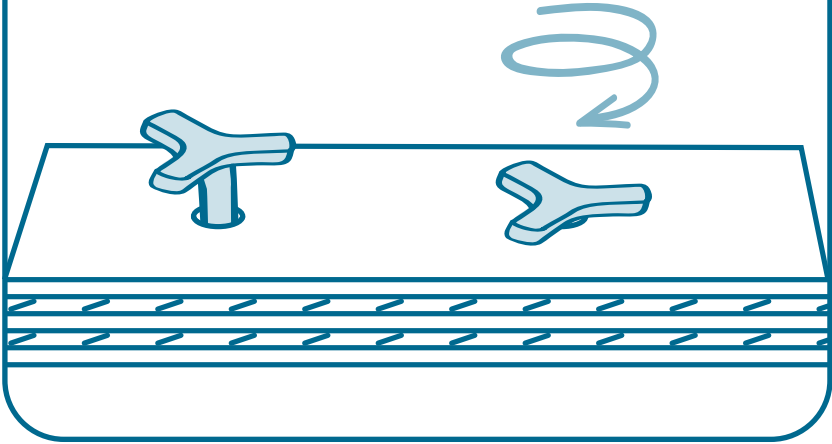


Click the button
to watch the
assembly video

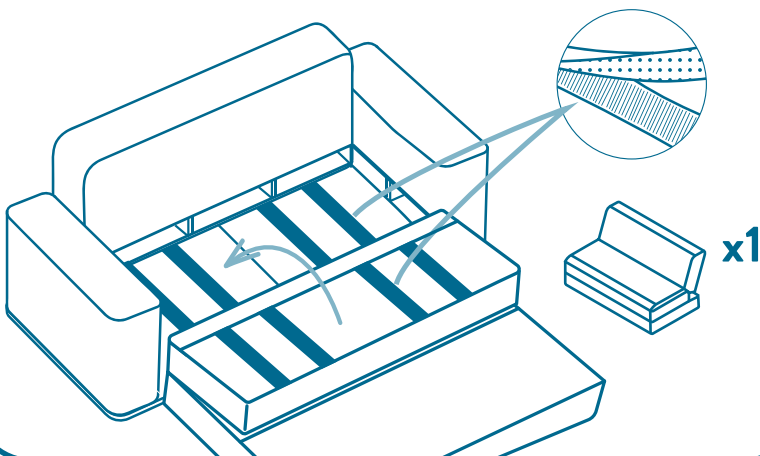




9. tighten them all up



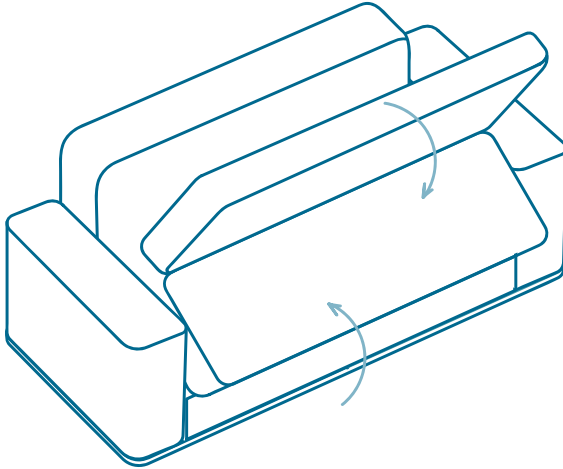
10. align the velcro and flip cushion



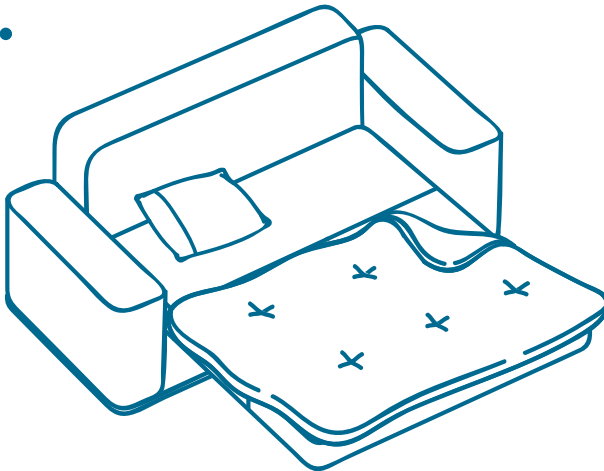
Click the button
to watch the
assembly video



11.

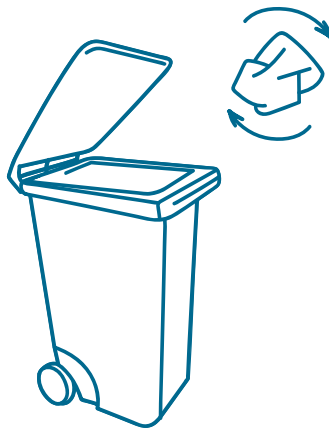


12.



i bed you didn't see that coming.

Click the button
to watch the
assembly video



don't forget to recycle

koala