



Portable Camping BBQ HOT OZI SERIES II

Model No. BQ2007

FEATURES

- Versatile and portable
- Large 40.5cm (16") cooking plate
- 6 unique stabilising legs
- High pressure - no regulator required
- Ideal for camping, picnics or a quick BBQ at home
- Propane only
- Suits any camping cylinder between 2Kg and 4.5Kg
- AGA certified



Gasmate® is a registered trademark of: Sitro Group Australia Pty Ltd www.sitro.com.au
Aber, Hamilton, N.Z www.gasmate.co.nz

Important: Retain these instructions for future use.

GENERAL INFORMATION

Gas Installation Codes

- Appliance must be used in accordance with the installation requirements of your gas supply authority, or the appropriate installation code issued by Standards Australia AS 5601.
- Appliances for use with bottled gas are labelled 'propane gas'.

Clearances

Minimum Clearances from combustible materials must be: Wall - 500mm. Above - 500mm.

Tube Assembly Safety

The tube assembly supplied with the appliance is suitable for propane gas, and a 3/8" LH camping cylinder only.

The tube assembly supplied with the appliance must be used. Replacement tube assemblies must be those specified by the appliance manufacturer.

Only use the tube assembly supplied with this appliance for direct connection to the camping cylinder.

"DO NOT USE ADAPTORS".

When connecting the tube assembly to the gas camping cylinder, take care to avoid unnecessary twisting of the tube assembly. Twist the hand wheel only (thread is left hand).

After the assembly has been secured, turn on the gas and check for leaks by brushing a soap and water solution overall connections.

DO NOT USE this appliance if it is leaking, damaged or does not operate properly.

If you are unable to correct the leak by tightening the connections, turn off the gas and contact the supplier immediately.

Always ensure the appliance is kept away from flammable materials and the gas camping cylinder is clear of any heat source. When changing over from an empty gas cylinder to a full one make sure this procedure is carried out in a well ventilated location, preferably outside, away from people and away from any sources of ignition; such as naked flames, pilot flames, electric heaters/equipment.

Specifications

Appliance specifications can be found on the data swing tag attached to the appliance body.

Gas Cylinder Use & Safety

This is a high pressure appliance and must only be used with the tube assembly supplied. **This appliance shall only be used with propane gas cylinders certified to AS 2469.** It may be hazardous to attempt to fit other types of gas containers.

The gas cylinder should be filled by a reputable gas supplier and visually inspected and re-qualified at each filling.

Always keep cylinder in an upright position. Always close the cylinder valve when the appliance is not in use.

Do not subject gas cylinder to excessive heat.



IMPORTANT

Read these instructions for use carefully. Familiarise yourself with the appliance before connecting it to its gas container. Keep these instructions for future reference.

- Only use in well ventilated areas.
- Outdoor use only.
- Failure to comply with these instructions could result in a fire or explosion which could cause serious bodily injury, death or property damage.
- **CAUTION:** Accessible parts may be very hot. Keep young children away.
- DO NOT modify this appliance.
- DO NOT move this appliance during use.
- Turn off the gas supply at the gas cylinder after use.
- Parts sealed by the manufacturer or their agent must not be manipulated by the user.

- This appliance is only to be used outdoors.
- Do not test for gas leaks with an open flame.
- If this information is not followed exactly a fire causing death or serious injury may occur.
- Do not store a spare gas cylinder under or near this appliance. Never fill the cylinder beyond 80% full. This appliance is only to be used and stored outdoors.
- If there is a leak on your appliance (smell of gas), immediately attempt to turn off the cylinder valve. Remove the appliance to a well ventilated location away from any ignition source. Only check for leaks outdoors using soapy water.
- DO NOT try to detect leaks using a flame.
- Do not use a 1.25Kg camping cylinder.
- To check that the gas cylinder is filled, when shaken a sloshing sound will be heard.

Never Store your Gas Cylinder Indoors.

If you store your appliance indoors, ALWAYS disconnect the gas cylinder first and store the cylinder safely outside. Cylinders must be stored outdoors in a well ventilated area out of reach of children, and must not be stored in a building, garage or any other enclosed area.

Gas connection is 3/8" LH

Location of your Appliance

Outdoor use only

DO NOT use your appliance in garages, porches, sheds, breezeways, or other enclosed areas. Your appliance is to be used OUTDOORS ONLY. The appliance is not intended to be installed in or on recreational vehicles and/or boats and should not be placed on any surface that will burn. Do not obstruct the flow of combustion and ventilation air around the appliance.

Protect Children

Keep children away from appliance during use and until appliance has cooled after you have finished. Do not allow children to operate appliance.

Always ensure that no sporting or physical activities are carried out in close proximity to the appliance during use and while still hot.

Tools You Will Need

None required.

Check Appliance for any Damage

Inspect appliance parts as you proceed. Contact your supplier for assistance regarding replacement of any damaged or missing parts. Do not assemble or operate a appliance that appears damaged. Appliance for use with gas cylinders are labelled 'propane gas'. Check labelling at the gas connection on your appliance.

Product details:

BQ2007	Hot Ozi BBQ
Gas Type	Propane
Injector Size	Ø0.25mm
Gas Consumption	16MJ/H or 320g/H
Gas Pressure	Cylinder pressure
Overall size (mm)	420 x 550 (not including cylinder)
Weight	4.0kg
Acceptable gas cylinder sizes	Min; 2Kg to Max; 4.5Kg



FOR YOUR SAFETY

- Do not store or use petrol or other flammable liquids in the vicinity of this or any other appliance.
- Gas cylinders should be stored outdoors in a well ventilated area out of the reach of children. Any indoor storage shall comply with AS/NZS 1596.
- Do not store empty or full spare gas cylinders under or near this or any other appliance.
- Never test for gas leaks with a lit match or open flame.
- Never lean over cooking surface when lighting.
- This appliance must not be used indoors. Outdoor use only.
- Only use in well ventilated areas.
- Carbon monoxide hazard - This appliance can produce carbon monoxide which has no odour. Using it in an enclosed space (for example: caravan, tent, car, mobile home) may cause death.
- This appliance shall only be used in an above ground open-air situation with natural ventilation, without stagnant areas, where gas leakage and products of combustion are rapidly dispersed by wind and natural convection.
- The openings at the base of the burner provide air for combustion, they should never be obstructed. If the flame becomes significantly orange check these openings for blockage.
- Ensure the appliance is set up on a level and stable surface.
- Do not move the appliance while in use or when hot.
- Use all 6 feet provided, these are fitted to the base of the camping cylinder, equally spaced apart.

HOT OZI COMPONENTS AND ASSEMBLY

Note:

- Remove any transit protection material before using the BBQ.
- Only fit the BBQ to a camping cylinder of minimum size 2Kg to a maximum size 4.5Kg.

Connecting & Disconnecting to the Gas Source

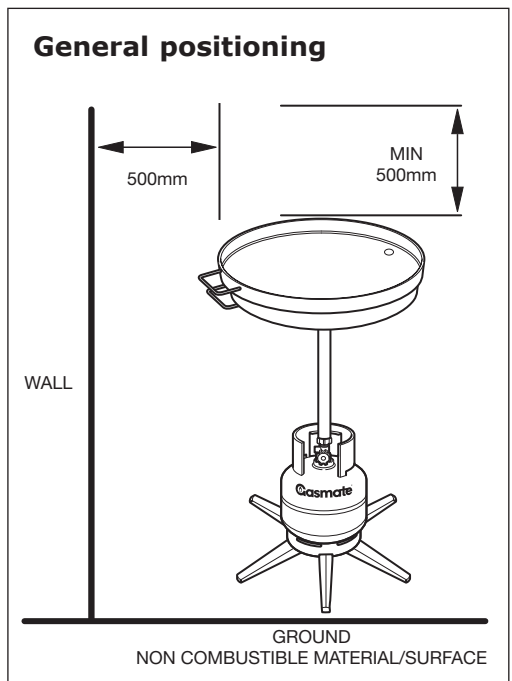
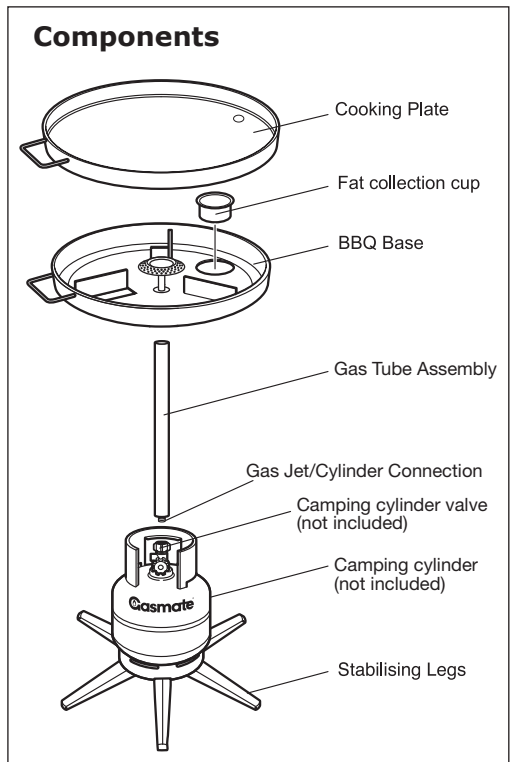
Familiarise yourself with the general information and safety guidelines located at the front of this manual.

Check:

1. Gas cylinder is filled. A sloshing sound will be heard when shaken.
2. The gas valve is in the 'OFF' position
3. Turn the gas cylinder upside down (for a short time only) on a flat surface.
 - a) To clip the legs on, start on one side and roll the stabilising legs on until it is firmly fitted onto the gas cylinder footring, making sure they are evenly spaced.
 - b) Once all the legs are fitted, turn the gas cylinder the right way up. You now have a safer base for your gas cylinder and barbecue.
4. Check for any damage to either the cylinder connection or the gas tube assembly. NEVER attempt to use damaged equipment.
5. Screw the tube assembly to your cylinder. Note; left hand 3/8" BSP thread. Hand tighten only. The tube assembly must not move if it moves tighten fully.
6. When connecting the tube assembly to the cylinder tighten the nut to a positive stop by hand. Note; left hand thread.
7. Place the barbecue base on the tube assembly. Ensure the base is pushed firmly onto the gas tube assembly.
8. After cooking, turn burner gas cylinder valve to 'OFF'. Let the burner cool before attempting to clean, disassemble and store.

General positioning

1. Outdoor use only.
2. Never place or position the Hot Ozi BBQ on combustible material. Only use on a non-combustible surface.
3. Ensure the Hot Ozi BBQ is only used on flat, stable ground.
4. For all other clearances see image.



CARE & MAINTENANCE

As with all appliances, proper care and maintenance will keep them in top operating condition and prolong their life. Your new gas appliance is no exception. By following these cleaning procedures on a timely basis, your appliance will be kept clean and working properly with minimum effort.

Spiders and small insects occasionally spin webs or make nests in the burner tubes during warehousing and transit. These webs can lead to a gas flow obstruction which could result in a fire in and around the burner tubes. Cleaning with a soft brush before use and at least every six months is recommended.

This type of fire is known as 'FLASH-BACK' and can cause serious damage to your appliance and create an unsafe operating condition for the user. Although an obstructed burner tube is not the only cause of 'FLASH-BACK' it is the most common cause and frequent inspection and cleaning of the burner tubes is necessary.

Flash-Back

If fire occurs in and around the burner, immediately turn off gas at its source and turn the burner control and gas cylinder valve to 'OFF', wait until the appliance has cooled, then clean the burner tubes and burner ports.

Cleaning

After cooking, turn burner gas cylinder valve to 'OFF'. Let the burner cool before attempting to clean, disassemble and store.

COOKING

You can use this Hot Ozi to cook food in the supplied cooking plate or remove the cooking plate and place a pot on the trivets.

If using a non-supplied pot or pan please stay within these sizes:

Min pot/pan size - 200mmØ

Max pot/pan size - 315mmØ



IMPORTANT

Before connecting and disconnecting appliance to gas source, make sure burner controls and gas cylinder valve are in the 'OFF' position.

CAUTION: When the appliance is not in use, the gas must be turned off at the cylinder.

Check that the seals between the appliance and the gas cylinder are in place and in good condition before connecting the gas cylinder.

Do not use this appliance if it has damaged or worn seals.

- Do not use this appliance if it is leaking, damaged or does not operate properly.
- Beware of spiders and wasps. Burner tube should be inspected and cleaned periodically.
- This appliance must only be serviced by an authorised person.
- If the appliance can not be adjusted to perform correctly it should not be used until it is serviced or repaired.

LIGHTING PROCEDURE

Burner Operation & Ignition System Check

1. Turn gas valve on.
2. Light burner immediately with a long BBQ match.
3. Once burner is lit place the cooking pan on top of the burner.
4. To ensure cooking fat drips into the fat cup, line up the top and bottom handles

After Use

Turn the gas cylinder valve off and wait for the flame to go out.

Problem	Possible Reason	Solution
Burner will not ignite	Valve on gas bottle closed.	Open valve on gas bottle.
	Valve on gas bottle not open enough.	Open valve on gas bottle more.
	Gas bottle empty.	Fill gas bottle.
Food is not cooking or is taking too long	Burner has gone out.	Check that the gas bottle is not empty and re-ignite burner.

OPERATING PROCEDURE

To adjust the flame or temperature of the hot plate, use the gas cylinder valve.

Rotate the gas cylinder valve anti clockwise to open and increase the flame and heat.

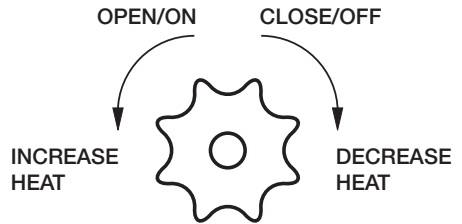
Rotate the gas cylinder valve clockwise to close and lower the flame and heat.

Spillage

Turn off the cylinder gas valve. Wait for the flame to go out. Using heat proof gloves:

- Remove cooking pan.
- Blow liquid from burner ports.
- Tip burner upside down to drain spilled liquid.
- Once dry re-position.
- Follow lighting procedures to re-light burner and continue cooking.

Camping cylinder gas valve



IMPORTANT

- Outdoors use only
- Do not smoke when attempting to ignite appliance.
- Always use protective gloves when handling hot components.
- Do not smoke at any time when attempting to ignite the appliance burners.

Caution:

Do not move the appliance while in operation.

- Do not leave the appliance unattended when alight.

NOTE: ONLY USE ON A NON-COMBUSTIBLE SURFACE

SAFE APPLIANCE LOCATIONS

This appliance shall only be used in an above ground open-air situation with natural ventilation, without stagnant areas, where gas leakage and products of combustion are rapidly dispersed by wind and natural convection.

Only use on a Non-combustible surface.

Any enclosure in which the appliance is used shall comply with the following:

An enclosure with walls on all sides, but at least one permanent opening at ground level and no overhead cover. Within a partial enclosure that includes an overhead cover and no more than two walls.

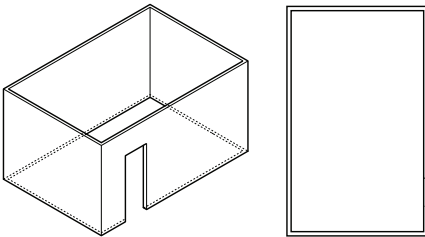
Within a partial enclosure that includes an overhead cover and more than two walls, the following will apply:

at least 25% of the total wall area is completely open, and
at least 30% of the remaining wall area is open and unrestricted.

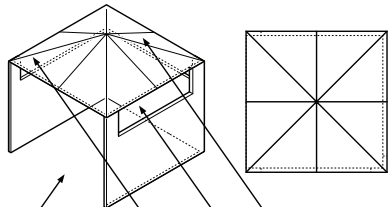
In the case of balconies, at least 20% of the total wall area shall be and remain open and unrestricted.

DIAGRAMMATIC REPRESENTATIONS OF OUTDOOR AREAS

The following figures are diagrammatic representations of outdoor areas. Rectangular areas have been used in these figures – the same principles apply to any other shaped area.

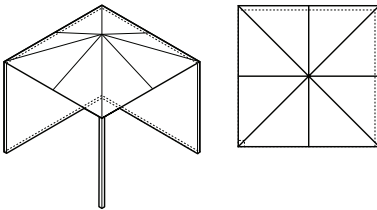


Outdoor Area - Example 1

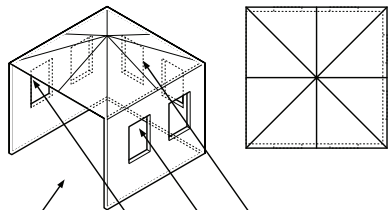


Open Side at least 25% of total wall area
30% or more in total of the remaining wall area is open and unrestricted

Outdoor Area - Example 4

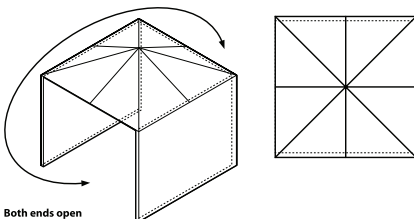


Outdoor Area - Example 2



Open Side at least 25% of total wall area
30% or more in total of the remaining wall area is open and unrestricted

Outdoor Area - Example 5



Both ends open

Outdoor Area - Example 3

For any queries or assistance call



**Customer Service
Australia Only**

1300 174 876

Hours of operation:
Monday to Friday 8.30am - 5.30pm EST

Do not return to place of purchase.

Keep your purchase receipt, this will be required to make any claims under the 12 month warranty.

Gasmate®