

Bäumr-AG®

HT2

CORDLESS HEDGE TRIMMER



User Manual

[Revision 2.0 April 2021]

THE BATTERY MAY HAVE SOME CHARGE ON ARRIVAL, IT IS IMPORTANT HOWEVER THAT THE BATTERY IS CHARGED PRIOR TO USE.

READ THIS MANUAL CAREFULLY BEFORE USE – FAILURE TO DO SO MAY RESULT IN INJURY, PROPERTY DAMAGE AND MAY VOID WARRANTY. • KEEP THIS MANUAL FOR FUTURE REFERENCE. • Products covered by this manual may vary in appearance, assembly, inclusions, specifications, description, and packaging.

TABLE OF CONTENTS

SAFETY	1
General Safety Precautions	1
Safety Precautions for Batteries and Chargers	2
Safety Precautions for Hedge Trimmers	3
Electrical Safety.....	4
COMPONENTS	5
SET-UP	6
Fitting and Removing the Battery	6
OPERATION	7
Intended Use	7
Charging the Battery	7
Charging Procedure	8
Important Charging Notes	8
Switching ON and OFF	9
Switching On	9
Switching off.....	9
MAINTENANCE	9
TECHNICAL SPECIFICATIONS	10

SAFETY

GENERAL SAFETY PRECAUTIONS

Know your tool

- **WARNING!** Carefully observe the instructions in this manual to reduce the risk of personal injury or material damage.
- Read all of this manual carefully before operating the tool.
- Before operating the tool, make sure that you know how to switch the tool off in an emergency.
- Retain this manual for future reference.
- **WARNING!** Read all instructions, failure to follow all instructions listed below may result in electric shock, fire and/or serious injury. The term “power tool” in all of the warnings listed below refers to your battery operated (cordless) power tool.
- **SAVE THESE INSTRUCTIONS.**
- **Work area**
 - Keep work area clean and well lit. Cluttered and dark areas invite injuries.
 - Do not operate power tools in explosive atmospheres, such as in the presence of flammable liquids, gases or dust. Power tools create sparks which may ignite the dust or fumes.
 - Keep children and bystanders away while operating a power tool. Distractions can cause you to lose control.
- **Electrical safety**
 - Avoid body contact with earthed or grounded surfaces such as pipes, radiators, ranges and refrigerators. There is an increased risk of electric shock if your body is earthed or grounded.
 - Do not expose power tools to rain or wet conditions. Water entering a power tool will increase the risk of electric shock.
- **Personal safety**
 - Stay alert, watch what you are doing and use common sense when operating a power tool. Do not use a power tool while you're tired or under the influence of drugs, alcohol or medication. A moment of inattention while operating power tools may result in serious personal injury.
 - Use safety equipment. Always wear eye protection. Safety equipment such as dust mask, non-skid safety shoes, hard hat, or hearing protection used for appropriate conditions will reduce personal injuries.
 - Avoid accidental starting. Ensure the switch is in the off position before plugging in. Carrying power tools with your finger on the switch or plugging in power tools that have the switch on invites accidents.
 - Remove any adjusting key or wrench before turning the power tool on. A wrench or a key left attached to a rotating part of the power tool may result in personal injury.
 - Do not overreach. Keep proper footing and balance at all times. This enables better control of the power tool in unexpected situations.
 - Dress properly. Do not wear loose clothing or jewellery. Keep your hair, clothing and gloves away from moving parts. Loose clothes, jewellery or long hair can be caught in moving parts.
 - If devices are provided for the connection of dust extraction and collection facilities, ensure these are connected and properly used. Use of these devices can reduce dust related hazards.

- **Power tools use and care**

- Do not force the power tool. Use the correct power tool for your application. The correct power tool will do the job better and safer at the rate for which it was designed.
- Do not use the power tool if the switch does not turn it on and off. Any power tool that cannot be controlled with the switch is dangerous and must be repaired.
- Disconnect the plug from the power source before making any adjustments, changing accessories, or storing power tools. Such preventive safety measures reduce the risk of starting the power tool accidentally.
- Store idle power tools out of the reach of children and do not allow persons unfamiliar with the power tool or these instructions to operate the power tool. Power tools are dangerous in the hands of untrained users.
- Maintain power tools. Check for misalignment or binding of moving parts, breakage of parts and any other condition that may affect the power tools operation. If damaged, have the power tool repaired before use. Many accidents are caused by poorly maintained power tools.
- Keep cutting tools sharp and clean. Properly maintained cutting tools with sharp cutting edges are less likely to bind and are easier to control.
- Use the power tool, accessories and tool bits etc., in accordance with these instructions and in the manner intended for the particular type of power tool, taking into account the working conditions and the work to be performed. Use of the power tool for operations different from intended could result in a hazardous situation.

- **Battery tool use and care**

- Ensure the switch is in the off position before inserting battery pack. Inserting the battery pack into power tools that have the switch on invites accidents.
- Recharge only with the charger specified by the manufacturer. A charger that is suitable for one type of battery pack may create a risk of fire when used with another battery pack.
- Use power tools only with specifically designated battery packs. Use of any other battery packs may create a risk of injury and fire.
- When battery pack is not in use, keep it away from other metal objects like paper clips, coins, keys, nails, screws, or other small metal objects that can make a connection from one terminal to another. Shorting the battery terminals together may cause burns or a fire.
- Under abusive conditions, liquid may be ejected from the battery; avoid contact. If contact accidentally occurs, flush with water. If liquid contacts eyes, additionally seek medical help. Liquid ejected from the battery may cause irritation or burns.

- **Service**

- Have your power tool serviced by a qualified repair person using only identical replacement parts. This will ensure that the safety of the power tool is maintained.

SAFETY PRECAUTIONS FOR BATTERIES AND CHARGERS

- **Batteries**

- Never attempt to open for any reason
- Do not expose to water
- Do not incinerate the battery pack even if it is severely damaged or is completely worn out. The battery pack can explode in a fire.
- Do not store in locations where the temperature may exceed 40°C
- Do not leave the battery pack in the charger when the charging is finished, otherwise battery leakage may occur.

- Charge only at room temperature.
- Charge only at using the charger provided with the tool (see technical data)
- Before charging, make sure that the battery is dry and clean.
- Use only the correct type of battery for the tool (see technical data).
- When dispose of batteries follow the instructions given in the section "protecting the environment".
- Under extreme conditions ,battery leakage may occur .When you notice liquid on the battery , proceed as follows:
 - Carefully wipe the liquid off using a cloth. Avoid skin contact.
 - In case of skin or eye contact, follow the instructions below.
 - The battery fluid, a 25-30% solution of potassium hydroxide, can be harmful. In case of skin contact, immediately rinse with water. Neutralize with a mild acid such as lemon juice or vinegar. In case of eye contact, rinse abundantly with clean water for at least 10 minutes. Consult a physician.
- **Chargers**
 - Charger's plug must match the outlet. Never modify the plug in any way. Unmodified plugs and matching outlets will reduce risk of electric shock.
 - Use your charger only to charge batteries of the type supplied with your tool. Other batteries could burst, causing personal injury and damage.
 - Only 2 battery packs is allowed to be charged continuously in order to prevent overheating of charger, necessary rest time is required to let the charger cool down before further charging.
 - When charging is finished, unplug the charger from mains socket outlet and take away the battery pack from the charger, do not leave the battery pack in the charger.
 - Never carry the charger by its cord or pull it to disconnect from the socket. Keep the cord away from heat, oil and sharp edges.
 - Never attempt to charge non-rechargeable batteries.
 - The cord of charger is not changeable, do not continue to use if the cord is damaged.
 - Do not expose to water or rain, do not use in wet condition.
 - Do not open the charger.
 - Do not probe the charger.
 - Intended for indoor use only.

SAFETY PRECAUTIONS FOR HEDGE TRIMMERS

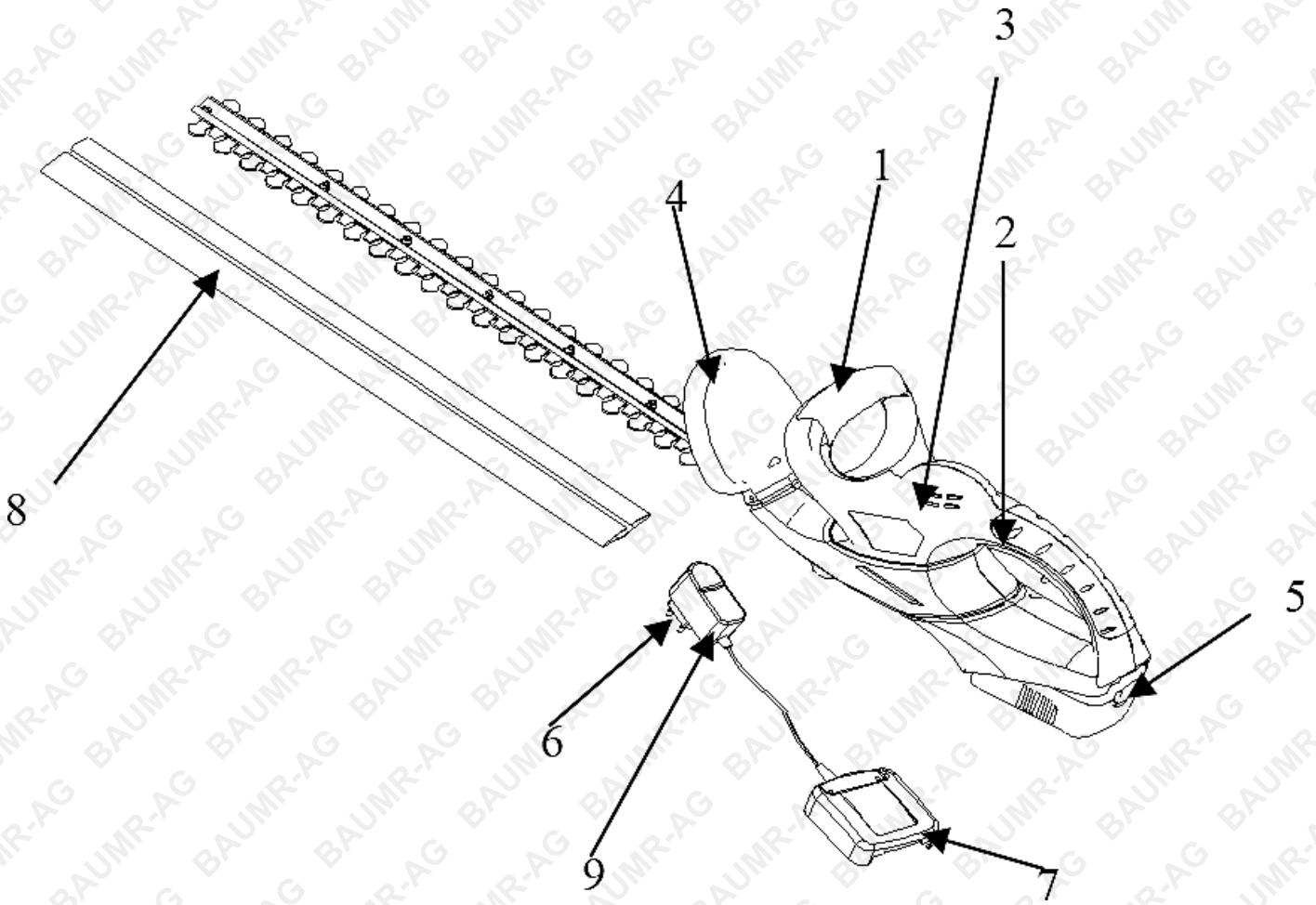
- Wear safety goggles when operating this tool.
- Wear gloves when operating this tool.
- Do not expose the tool to rain or high humidity.
- **THIS TOOL CAN CAUSE SERIOUS INJURIES.** Read instructions carefully for the correct handling, preparation, maintenance, starting and stopping of the tool. Be familiar with all controls and proper use of the tool.
- Only use the tool in daylight or good artificial light.
- Never allow children to use the tool;
- Beware of overhead power lines;
- Avoid operating while people, especially children, are nearby.

- Dress properly! Do not wear loose clothing or jewellery which can be caught in moving parts. Use of sturdy gloves, non-skid footwear, and safety glasses is recommended.
- If the tool stalls, immediately switch it off. Remove the battery before attempting to remove any obstructions.
- Remove the battery before checking, maintenance or working on the tool.
- While operating the tool be always sure of a safe and secure operating position especially when using steps or a ladder.
- Do not attempt to repair the tool.
- Do not operate the tool with a damaged or excessively worn cutting device.
- Always wear ear protection, goggle and helmet during operating.
- Always ensure that all guards are fitted when using the tool. Never attempt to use an incomplete tool or a tool with unauthorized modifications.
- Always use two hands to operate the tool.
- When transporting or storing the tool always fit the blade sheath.
- Always be aware of your surroundings and stay alert for possible hazards that you may not hear due to the noise of the tool.
- Do not carry the tool with your hands on the switch unless the battery has been removed.
- If you have not used a hedge trimmer before, preferably seek practical instruction by an experienced user in addition to studying this manual.
- Never touch the blades while the tool is running.
- Never attempt to force the blades to come to a standstill.
- Do not put the tool down until the blade have come to a complete standstill.
- Regularly check the blades for damage and wear. Do not use the machine when the blades are damaged.
- Take care to avoid hard objects (e.g. metal wire, railings) when trimming. Should you accidentally hit any such object immediately switch the tool off and check for any damage.
- Should the tool start to vibrate abnormally, immediately switch it off and check for any damage.
- Always be aware of falling debris when cutting the higher sides of a hedge.
- Be aware of the cutting blade, always wear gloves to protect your hands from cut.

ELECTRICAL SAFETY

- Your charger has designed for a specific mains voltage. Always check that the mains voltage corresponds to the voltage on the rating plate.

COMPONENTS



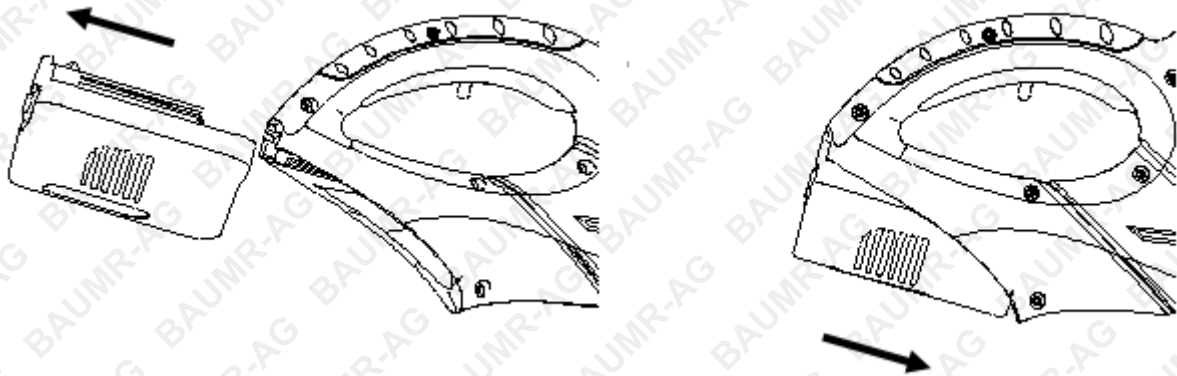
No.	PART NAME
1	Front handle
2	Lock-off button
3	Ventilation slots
4	Guard
5	Battery pack

No.	PART NAME
6	Charger
7	Charging station
8	Blade sheath
9	Charging indicator

SET-UP

WARNING! Before assembly, remove the battery pack from the tool.

FITTING AND REMOVING THE BATTERY



Your hedge trimmer is equipped with a battery pack, which powers the unit.

To fit the battery pack:

1. Place battery pack in your hedge trimmer. Align raised rib on battery pack with groove inside hedge trimmer. See image above.
2. Make sure that the latches on each side of your battery pack snap in place and battery pack secured in hedge trimmer before beginning any operation.

To remove the battery pack:

1. Locate latches on end of battery pack and depress to release battery pack from your hedge trimmer.
2. Remove battery pack from your hedge trimmer. See image above.

OPERATION



It is important you read and understand the instruction manual before first use and keep the manual in a safe place for future reference.



Always wear ear protection. Loud noises for an extended period of time may damage your hearing.



Safety precautions must be observed to reduce the risk of personal injury when operating this machine.



Total face and head protection must be worn to reduce injury from falling branches.



DANGER! Keep clear of power lines, contact can cause death.



Wear no-slip heavy duty work gloves to improve your grip on the saw handle. Gloves also reduce the transmission of machine vibration to your hands.



It is strongly recommended that a comprehensive training course on machine use, fuel handling safety and engine operation be completed before attempting to use this machine.



The dust produced during operation may be dangerous to health. If the work area is very dusty or smoky, wear a respirator.



Never allow children to access the machine.

INTENDED USE

Your hedge trimmer has been designed for trimming hedges, shrubs and brambles, not to be used for any other purpose. This tool is intended for consumer use only. Let the tool work at its own pace. Do not overload.

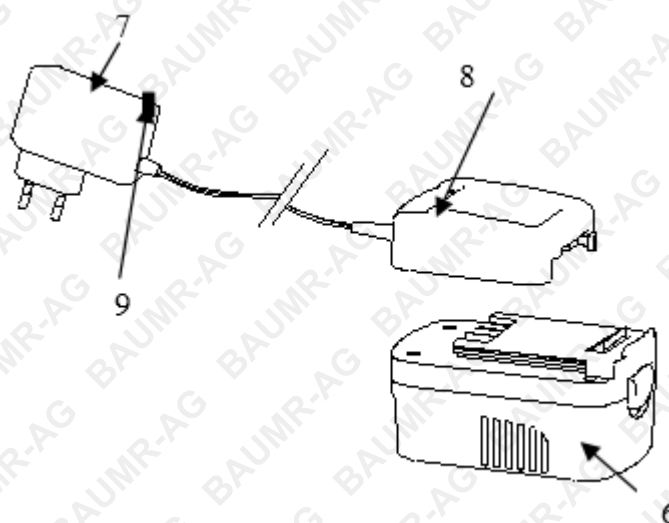
Your charger has been designed for charging batteries of the type supplied with this tool, **DO NOT CHARGE OTHER BATTERIES WITH IT.**

CHARGING THE BATTERY

The battery needs to be charged before first use and whenever it fails to produce sufficient power on jobs that were easily done before. When charging the battery for the first time, or after prolonged storage, it will only accept an 80% charge. After several charge and discharge cycles, the battery will attain full capacity. The battery may become warm while charging, this is normal and does not indicate a problem.

Remove it from the tool and insert it into the charge station (8). The battery pack will only fit into the charge in one way. Do not force. Be sure that battery is fully seated in the charger.

Your battery can be charged in the 4-5 hours charger supplied. Be sure to read all safety instructions before using your charger. This product is not user serviceable. There are no user serviceable parts inside the charger. Servicing at an authorised service centre is required to avoid damage to static sensitive internal components.



Read all of the instructions in the battery charger section of this manual before attempting to charge the battery pack for your tool. Always use correct battery pack (pack supplied with tool or replacement pack exactly like it). Never install any other battery pack, it will ruin your tool and may create a hazard.

CHARGING PROCEDURE

These chargers require no adjustment and are designed to be as easy as possible to operate. Simply place your battery pack into the receptacle of a plugged in charger and it will automatically charge the pack.

1. Connect the transformer (7) to the charger station (8).
2. Plug the transformer into an appropriate AC power outlet. The green LED (POWER) (9) lights to tell you that the charger is ready for use.
3. Insert the battery pack (6) into the charger, as shown in the image above, making sure the pack is fully seated in the charger. The red LED (CHARGE) (9) lights to tell you that the battery pack is charging.
4. The battery pack will be fully charged in about 4 hours.

IMPORTANT CHARGING NOTES

Longest life and best performance can be obtained if the battery pack is charged when the air temperature is between 18-24°C. Do not charge the battery pack in a very low or very high air temperature. This is important and will prevent serious damage to the battery pack.

- The charger and battery pack may become warm to touch while charging. This is a normal condition, and does not indicate a problem.
- Use the charger in normal room temperatures whenever possible. To prevent overheating, do not cover the charger and do not charge battery packs in direct sunlight or near heat sources.
- If the battery pack does not charge properly
 - a. Check current at receptacle by plugging in a lamp or other appliance.
 - b. Move charger and battery pack to a location where the surrounding air temperature is approximately 18 – 24°C.
 - c. If charging problems persist, take or send the tool, battery pack and charger to your local service centre.
- The battery pack should be recharged when it fails to produce sufficient power on jobs which were easily done previously. **DO NOT CONTINUE** to use under these conditions. Follow the charging procedure. You may also charge a partially used pack whenever you desire with no adverse effect on the battery pack.
- Under certain conditions, with the charger plugged in to the power supply, the exposed charging contacts inside the charger can be shorted by foreign material. Foreign materials of a conductive nature such as, but not limited to, steel wool, aluminium foil, or any build-up of metallic particles should be kept away from charger cavities. Always unplug the charger from the power supply when there is no battery pack in the cavity. Unplug charger before attempting to clean.
- Do not immerse charger in water or any other liquid.
- **WARNING!** Don't allow any liquid to get inside charger. Electric shock may result. To facilitate the cooling of the battery pack after use, avoid placing the charger or battery pack in a warm environment such as in a metal shed, or an uninsulated trailer.
- **CAUTION!** Never attempt to open the battery pack for any reason. If the plastic housing of the battery pack breaks or cracks, return to a service centre for recycling, do not put it into further use.

SWITCHING ON AND OFF

For your safety, this tool is equipped with a double switch system. This system prevents starting the tool inadvertently and will only allow operation while holding the tool with both hands.

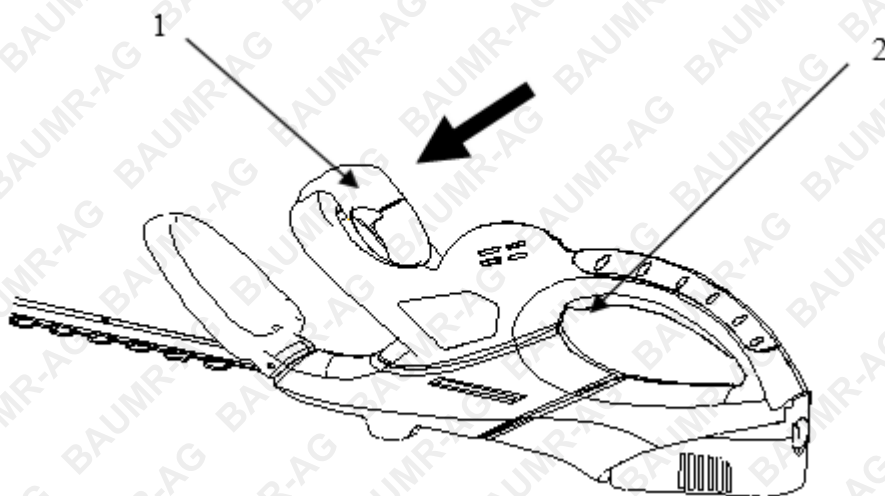
SWITCHING ON

1. Squeeze the front handle switch (1).
- OR
2. Squeeze the front trigger switch (2).

SWITCHING OFF

1. Release the front handle switch (1) or the trigger switch (2).

Never attempt to lock a switch in the ON position.



MAINTENANCE

Your tool has been designed to operate over a long period of time with a minimum of maintenance. Continuous satisfactory operation depends upon proper tool care and regular cleaning. Your charger does require any maintenance apart from regular cleaning.

- Before performing any maintenance on the tool, remove the battery from the tool. Unplug the charger before cleaning it.
- After use, carefully clean the blades.
- After cleaning, apply a film of light machine oil to prevent the blades from rusting.
- Regularly clean the ventilation slots in your tool and charger using a soft brush or dry cloth.
- Regularly clean the motor housing using a damp cloth. Do not use any abrasive or solvent-based cleaner.

TECHNICAL SPECIFICATIONS

MODEL	HT2
BATTERY	20V 1300mAh Lithium
CUTTING BLADE	22 Inch Double-Action Two-Sided
NO-LOAD SPEED	1400rpm
CUTTING LENGTH	510mm
DISTANCE OF TEETH	11mm
THROTTLE CONTROL HANDLE	Rubber Over Moulded
CHARGER	240V
CHARGING TIME	4 Hours
RUNNING TIME	30 Minutes

Note: Minimal Assembly required



Some experts believe that the incorrect or prolonged use of almost any product may cause serious injury or death. To help reduce your risk of serious injury or death, refer to the information below. For more information, see www.datastreamserver.com/safety

- Consult all documentation, packaging, and product labelling before use. Note that some products feature documentation available online. It is recommended to print and retain the documentation.
- Before each use, check the product for loose/broken/damaged/missing parts, wear, or leaks (if applicable). Never use a product with loose/broken/damaged/missing parts, wear, or leaks.
- Products must be inspected and serviced (if applicable) by a qualified technician every 6 months. This is based on average residential use by persons of average size and strength, and on a property of average metropolitan size. Use beyond these recommendations may require more frequent inspections/servicing.
- Ensure that all users of the product have completed a suitable industry recognised training course before being allowed access to the product.
- The product has been supplied by a general merchandise retailer that may not be familiar with your specific application or description of application. Be sure to attain third-party approval from a qualified specialist for your application before use, regardless of any assurances from the retailer or its representatives.
- This product is not intended for use where fail-safe operation is required. As with any product (for example, automobile, computer, toaster), there is the possibility of technical issues that may require the repair or replacement of parts, or the product itself. If the possibility of such failure and the associated time it may take to rectify could in any way inconvenience the user, business, or employee, or financially affect the user, business, or employee, then the product is not suitable for your requirements. This product is not intended for use where incorrect operation or a failure of any kind, including but not limited to, a condition requiring product return, replacement, parts replacement, or service by a technician may cause financial loss, loss of employee time or an inconvenience requiring compensation.
- If this product has been purchased in error when considering the information presented here, contact the retailer directly for details of their returns policy, if required.

Bäumr-AG[®]
.com.au

©2021 Baumr-AG. All rights reserved. No part of this document, including descriptive content, concepts, ideas, diagrams, or images may be reproduced or transmitted in any form or by any means, electronic or mechanical, including photocopying, scanning, or recording, or any information storage and retrieval system, without express permission or consent from the publisher.