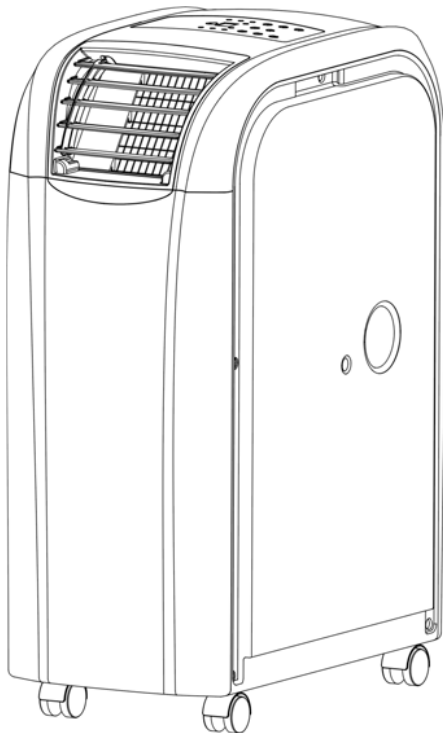


DC10RC / DC12RCBW / DC15RCBW

Reverse Cycle Portable Air Conditioner with Dehumidifier



INSTRUCTION MANUAL

PLEASE READ THE INSTRUCTION MANUAL CAREFULLY BEFORE USING THE UNIT.

WARNINGS AND PRECAUTIONS	1
STRUCTURE	3
OPERATION	4
CLEANING AND MAINTENANCE	12
ERROR CODES	13
TROUBLESHOOTING	14
TECHNICAL REFERENCE DATA	15
WARRANTY	16

IMPORTANT INFORMATION

Carefully read this instruction manual before you install or use your portable air conditioner. Please retain this manual for product warranty and for future reference.

CAUTION

- Make sure the inlet and outlet vents are never blocked.
- Ensure the appliance is on a stable, even surface when operating to avoid water leakage.
- Do not operate this unit in an explosive or corrosive atmosphere.
- When switched to cooling, only operate this unit in ambient temperatures between 17°C and 43°C. For heating, only operate this unit in ambient temperatures between 5°C and 23°C.
- Clean the air filter frequently to ensure efficient operation.
- To prevent compressor damage when the unit has been operating and is turned off, please wait at least 3.5 minutes before restarting.
- This unit needs to be plugged into a 220-240V ~ 50Hz AC, 10 Amp power outlet.
- Do not use any extension cords with this unit.
- This unit is for indoor operation only.
- Open the adjustable air vent and extend the exhaust pipe (and drain pipe, if fitted) to the closest window before using.
- After starting the unit, the fan will run first and the cooling display light will be flash for 3 minutes until then compressor starts working.
- Only professional technicians, manufacturers or service agents can replace a damaged power cord.
- When the batteries no longer work, they must be removed from the remote control and disposed of safely.

- This appliance is not intended for use by persons (including children) with reduced physical, sensory or mental capabilities, or lack of experience and knowledge, unless they have been given supervision or instruction concerning use of the appliance by a person responsible for their safety.
- Children should be supervised to ensure that they do not play with the appliance.
- The appliance can only be connected to power source less than 0.219Ω.
- Clear the water before move the unit.

IMPORTANT

The air conditioner must always be stored and transported upright. In case of doubt we suggest you wait at least 24 hours before operation. (Please keep the unit upright at all times)

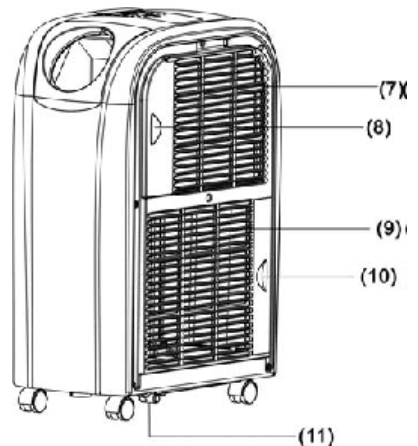
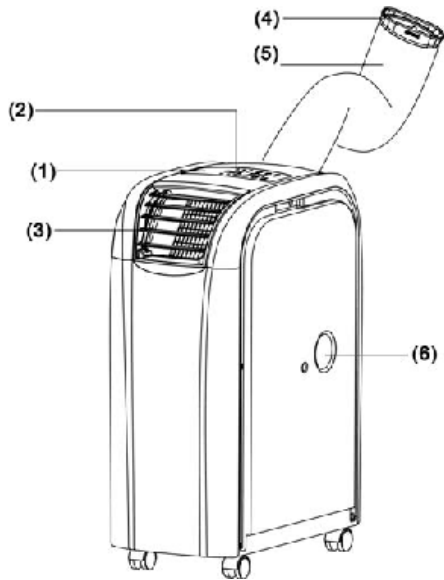
PACKAGE CONTENTS

- Portable air conditioner
- Remote control
- Batteries for remote control
- Extendable window kit
- Water tray

STRUCTURE



1. Controls
2. Remote receiver
3. Adjustable air vent
4. Window kit adaptor
5. Exhaust tube
6. Upper drain plug
7. Cool air inlet
8. Cool air filter
9. Hot air inlet
10. Hot air filter
11. Lower drain plug

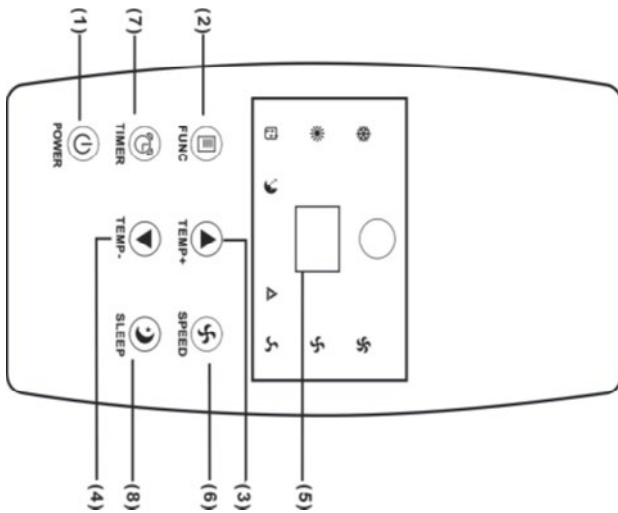


Note: Make sure drain plugs (6 and 11) are fitted before use.

BEFORE FIRST USE

- Please read these instructions carefully before use and keep them for future reference.
- Check your local main voltage whether it is the same as stated on the appliance.
- Before using for the first time, remove any protective films or stickers from the appliance and ensure the control knob is in the “OFF” position.
- Make sure drain plugs (5 & 9) are fitted before use.

CONTROLS & DISPLAY



ICON DESCRIPTION

Cool	Heat	Dehumidify	Sleeping mode
High fan	Mid fan	Low fan	Auto fan

(1) POWER - Press the POWER button to turn the unit “ON” or “OFF”.

The portable air conditioner is fitted with a compressor delay protection circuit. This protects the unit from possible damage due to rapid starting and stopping of its compressor. Compressor operation begins 3 minutes after the unit is switched on or the mode is switched from dehumidify to air conditioning.

(2) FUNCTION Press this button to select cooling, heating or dehumidification. When the heating or dehumidification functions are used the upper drain plug (6) must be removed and a drain hose must be attached.

(3) TEMP+ In cooling function, this button raises the set temperature by 1°C each time it is pressed to a maximum of 30°C. In heating function, this button raises the set temperature by 1°C each time it is pressed to a maximum of 25°C.

(4) TEMP- In cooling function, this button lowers the set temperature by 1°C each time it is pressed, to a minimum of 17°C. In heating function, this button lowers the set temperature by 1°C each time it is pressed to a minimum of 15°C.

The time taken to reach the desired set temperature will depend on the environment and the size of the space in which the unit is operating in. For example, if the ambient temperature is too hot or the room is too large, the rate at which the temperature descends will be slower and the cooling may be less effective.

(5) DISPLAY The display indicates the current, the set temperature or the timer setting. When the timer or temperature is adjusted, the new setting is shown then the display returns to the current set temperature.

The display is also used to show error codes should a fault occur, see ERROR CODES.

(6) SPEED Press SPEED to select LOW, MEDIUM, HIGH or AUTO fan speed. If AUTO fan speed is selected, the unit operates at maximum capacity and high fan speed while the room temperature is more than 2°C from the set temperature. When the room temperature is within 2°C of the set temperature, the unit operates at medium capacity and fan speed. Once the room temperature equals the set temperature, the unit will operate at minimum capacity and low fan speed to efficiently maintain the desired temperature. When HIGH, MEDIUM or LOW speed is selected, the unit operates at maximum capacity until the set temperature is reached. The fan operates at the selected speed.

Note: When the unit is in heating mode, only HIGH, LOW fan speed can be selected.

(7) TIMER ON/OFF button for the programmable timer.

The timer can be used to turn the unit on automatically after a set time delay is complete.

1. With the unit OFF, press the "TIMER" button to set the desired time delay before the unit is to start.
2. Choose the function desired (cooling, heating or dehumidification.)
3. Once the set time delay is complete, the unit will turn on automatically.
4. If you press the "POWER" button before the time delay is complete, the delay will be cancelled and the unit will turn on immediately.

The timer can be used to turn the unit off automatically after a set time period is complete.

1. With the unit ON, press the “TIMER” button to set the desired time for the unit to remain on.
2. Once the set time period is complete, the unit will turn off automatically.
3. If you press the “POWER” button before the time delay is complete, the delay will be cancelled and the unit will turn off immediately.

(8) SLEEP Press the SLEEP button to select the sleep comfort mode.

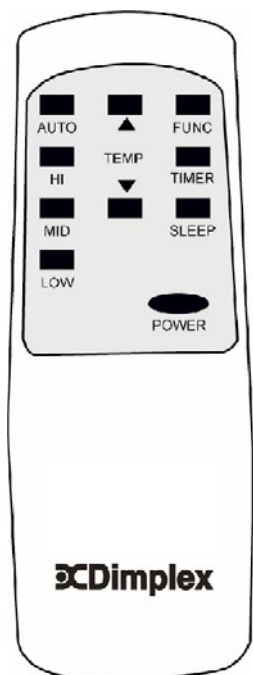
When the unit is cooling and sleep mode is selected, the unit will raise the set temperature 1°C each hour to a maximum of 2°C over two hours.

When the unit is heating and sleep mode is selected, the unit will lower the set temperature 1°C each hour to a maximum of 2°C over two hours.

These temperatures will be maintained for the balance of the time set and help maximize sleep comfort.

When setting the “sleep comfort” mode, please ensure that you set the number of hours required by using the TIMER function. The hours set will be shown on the display by pressing either the TEMP+ or TEMP- buttons.

REMOTE CONTROL



- POWER
- FUNC
- TIMER
- AUTO
- HI
- MID
- LOW
- SLEEP
- ▲
- ▼

- ON/OFF switch
- Function selector
- Timer programming
- Automatic fan speed
- High fan speed
- Medium fan speed
- Low fan speed
- Sleep comfort mode selector
- Raise Set Temperature
- Lower Set Temperature

INSTALLATION

Unpacking the unit:

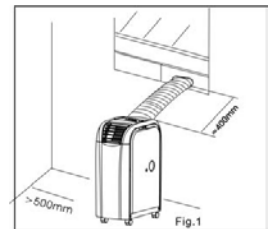
Remove the exhaust tube from its storage under the rear air outlet. Replace the rear air outlet.

Install the exhaust tube by rotating it clockwise onto the rear air outlet. Please ensure it is fully inserted before use.

Locating the unit:

Install the portable air conditioner in a flat location with adequate space to ensure the air inlets and outlets will not be blocked.

Keep a minimum clearance of 50cm from walls and other objects. Locate the unit to allow the exhaust pipe and drain hose to reach a suitable window, as shown.



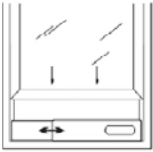
Avoid sharp bends or kinks in the exhaust pipe. The optional adjustable window slider is included to ensure the exhaust pipe is held in place (in the window) and prevents expelled hot air re-entering the room.

The appliance should not be used in damp areas such as a laundry or bathroom.

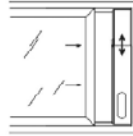
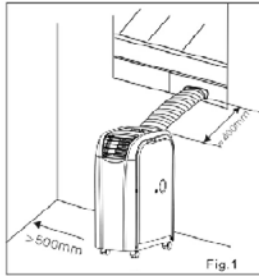
Do not place the unit where it will be in direct sunlight as it may overheat and turn off.

ADJUSTABLE WINDOW SLIDER KIT

The adjustable window slider kit is installed as shown below:



Window slider kit
min: 55cm
max: 100cm



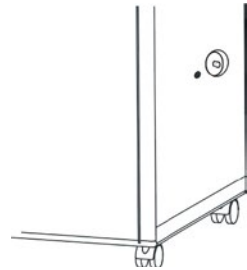
Window slider kit
min: 55cm
max: 100cm



HEATING & DEHUMIDIFICATION

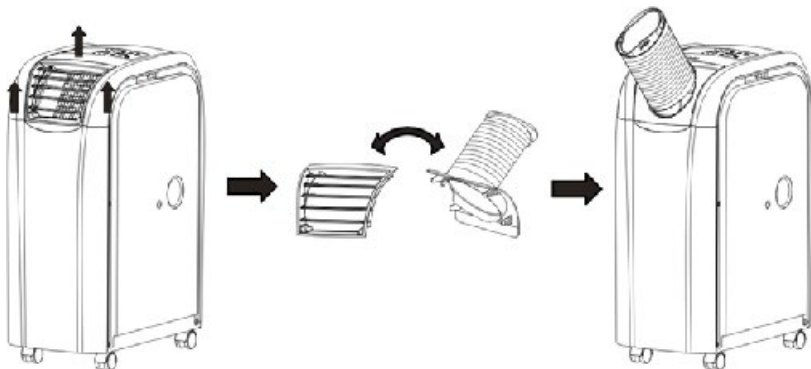
When the heating or dehumidification functions are used the upper drain plug (6) must be removed and a drain hose* must be attached.

**Drain hose is not supplied.*



HEATING

When using the heating function move the rear air outlet with the exhaust tube to the front of the unit as below:



NOTE: The outlet exhaust must still be attached to the window when using the heating function. Return the outlet and tube to the rear of the unit for cooling or dehumidification.

WATER DRAIN (Error Code E4)

When the air conditioner is used, excess water condensation may be produced that cannot be removed via the exhaust hose. This water is captured by an internal container. When this container is full, the unit will stop working and display the E4 error code. When the error code is displayed the water collected must be manually drained.

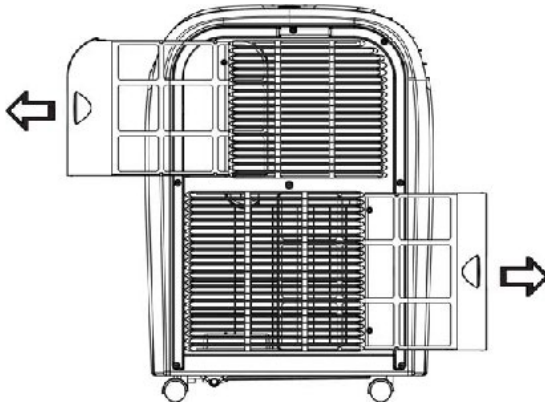
1. Switch off and unplug the unit.
2. Move the unit to a suitable place to drain the water. Consider placing a tray or suitable container under the outlet pipe to catch the drained water.
3. Remove the lower drain plug (11), refer to parts illustration.
4. Slightly tilt the unit to the rear to drain the water.
5. Replace the drain plug. Ensure the drain plug is re-fitted to the drain outlet before use.

NOTE: Extend the exhaust to the window before the unit is restarted.

CLEANING THE FILTERS

WARNING: Always unplug the unit before moving or before any cleaning.

The air filters located on the rear of the unit can be removed simply by pulling the filter frame slightly out and then across to the side.



CLEANING THE CABINET

Wipe with a damp cloth and polish with a soft cloth.

CARE TIPS

1. Only plug the unit into a suitable 220-240V~ 50Hz AC 10 AMP power supply.
2. Hold the plug when unplugging the unit, never pull on the cord.
3. Do not place the unit in direct sunlight. This can fade the plastic case.
4. Do not operate the unit in a confined space.
5. Do not place objects on top of the unit. This blocks the air outlet.
6. Do not place the unit where the air inlets or outlets may be blocked by curtains or furniture.
7. Keep the filters clean.

OVERHEAT PROTECTION

This unit is fitted with an overheat prevention device. If the unit overheats it will automatically turn off. The unit can be restarted after 30 minutes.

ERROR CODES

Error codes are shown on the display should a fault occur.

E1: Indicates open circuit or short circuit in the room temperature sensor.

E2: Indicates open circuit or short circuit in the pipe temperature sensor.

E4: Indicates the internal water container is full. Refer to WATER DRAIN.

If error code **E4** persists, please contact an authorized service centre.

NOTE: Never try to repair or dismantle the air conditioner yourself.

Unauthorized repairs may result in the loss of warranty and can endanger the user and their property.

Problem	Cause	Solution
The air conditioner does not operate.	No power supply.	Connect to a functioning power supply socket & switch on.
	Error code E4 is shown, indicating the internal water container is full.	Empty the internal water container. (Refer to 'water drain' section)
	The start timer function is active.	Press the power button to deactivate the timer function.
The air conditioner does not seem to operate efficiently.	The air conditioner is in direct sunlight/	Close the curtains.
	Windows or doors are open.	Close the windows and doors.
	The filters are dirty.	Clean the filters.
	The air inlets or outlets are blocked.	Remove the blockage.
	The room temperature is below the set temperature.	Lower set temperature.
The air conditioner is noisy.	The air conditioner is not level.	Place the air conditioner
The compressor does not work.	The overheat protection is activated.	Wait 30 minutes until the temperature has decreased, then turn the air conditioner on again. Note: Compressor operation begins 3 minutes after the unit is switched on.
The remote control does not function.	The distance between the remote control and the air conditioner is too great.	Move closer to the air conditioner. Aim the remote control directly at the control panel.
	The batteries are flat.	Replace the batteries.

DISPOSAL

- Do not dispose of electrical appliances as unsorted municipal waste. Use separate collection facilities.
- Contact your local government for information regarding the collection systems available.
- If electrical appliances are disposed of in landfills or dumps, hazardous substances can leak into the ground water, polluting the food chain and damaging health and well-being.



MAINTENANCE

If the unit fails to operate efficiently, is broken or other problems arise, unplug and do not operate. Ask for advice by calling your local after sales service agent or the Customer Care Centre on 1300 556 816 (AU) / 0800 666 2824 (NZ).

SPECIFICATIONS

MODEL NO.	DC10RC	DC12RCBW	DC15RCBW
Power source	220-240V ~ 50Hz AC	220-240V ~ 50Hz AC	220-240V ~ 50Hz AC
Power consumptions (EN14511)	1245W / 1090W	1452W x 1246W	1826W / 1566W
Rated power (EN60335)	1280W / 1100W	1480W / 1300W	1700W / 1500W
Cooling / Heating capacity	3000W / 3000W	3500W / 3500W	4400W / 4400W
Air flow	300m3/h	380M3/H	550M3/H
Moisture removed	40L / Day	60L / Day	75L / Day
Refrigerant	R410a	R410a	R410a
Min. room size	10m2	10m2	10m2
Max. room size	22m2	25m2	29m2
Dimensions (mm)	W300 x D526 x H624	W300 x D550 x H760	W300 x D550 x H760
Net weight (kg)	28	29.5	31.5

WARRANTY



The warranty period is 24 months from the date of purchase. For service advice, please contact the Customer Care Centre on 1300 556 816 (AU) / 0800 666 2824 (NZ).

Glen Dimplex Australia Pty Ltd
1340 Ferntree Gully Road,
Scoresby 3179, Victoria
Australia
Ph: 1300 556 816

Glen Dimplex New Zealand Ltd
38 Harris Road, East Tamaki,
Auckland 2013
New Zealand
Ph: 0800 666 2824