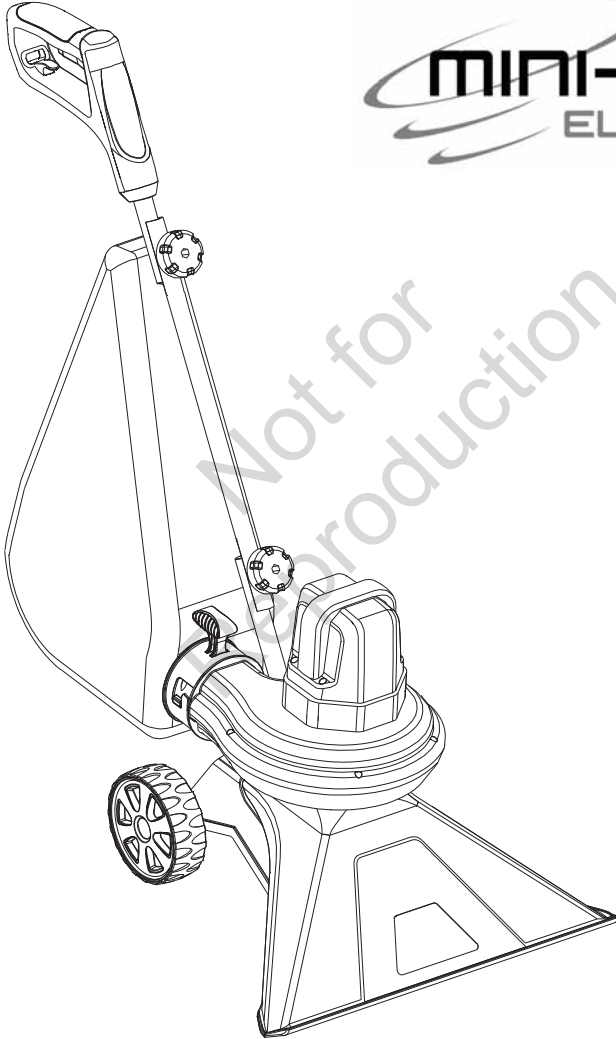


# VICTA

**MINI-VAC**  
ELECTRIC  
MV 1200



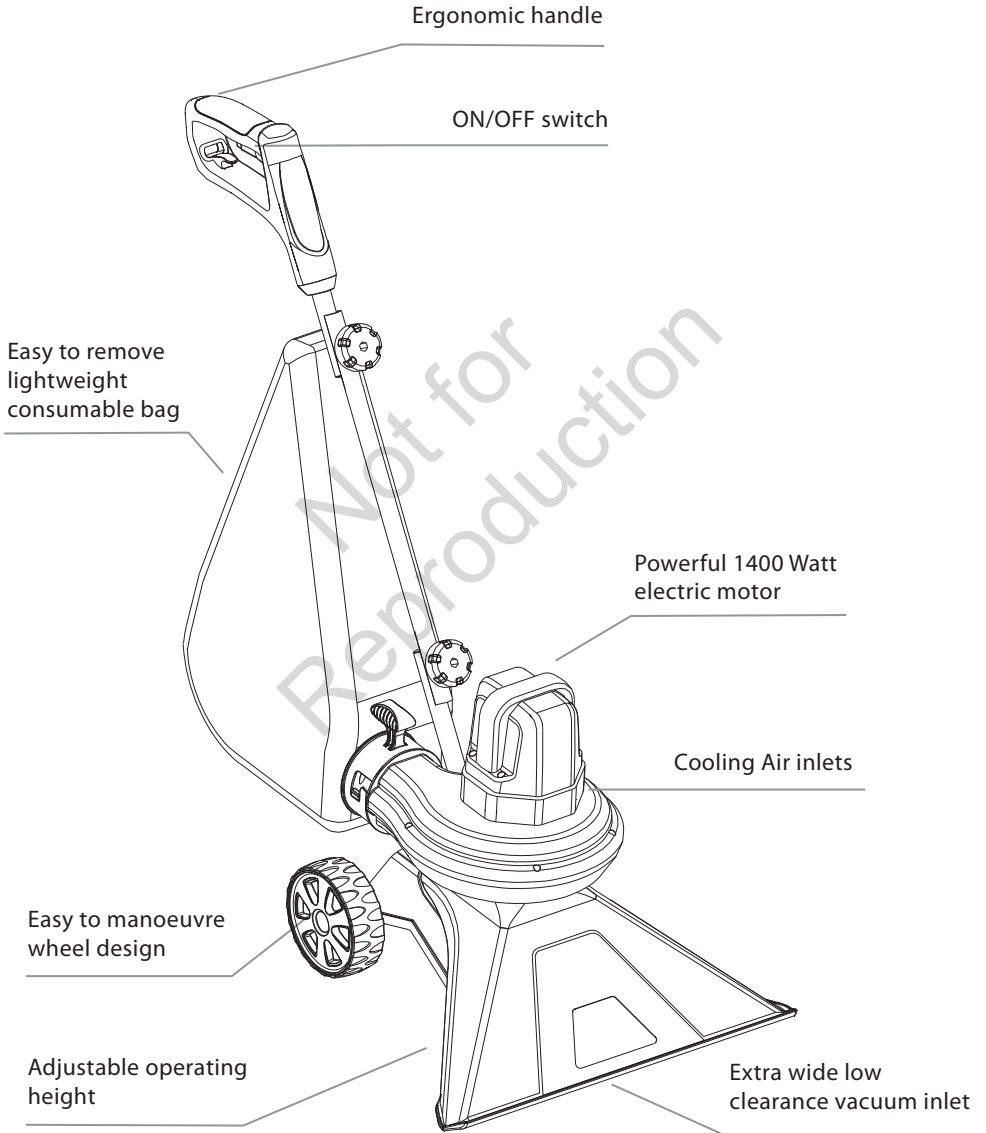
Not for  
production



**IMPORTANT**  
READ THIS BOOK CAREFULLY BEFORE OPERATING THIS MACHINE

Features .....	1
Safety instructions .....	2
Assembling your Mini Vac .....	4
Using your Mini Vac .....	6
Maintenance & helpful tips .....	8
Warranty .....	10

Not for  
Reproduction



IT IS ESSENTIAL TO READ AND UNDERSTAND THESE INSTRUCTIONS BEFORE USING MACHINE



Caution



Read the instructions carefully. Be familiar with the controls and proper use of the appliance.



Ensure that the power point is switched off and the plug removed before you attempt any maintenance, adjustment or cleaning of your Victa Mini Vac. Before using check the supply and extension cords for wear or damage. Do not use the appliance if the cord is damaged or worn.



Keep bystanders away. The Victa Mini Vac should not be used any closer than 15m to other people. Never operate while children or pets are nearby.



Wear safety glasses or goggles when operating the Victa Mini Vac. Use a face or dust mask whenever the conditions are dusty. Hearing protection should always be used.



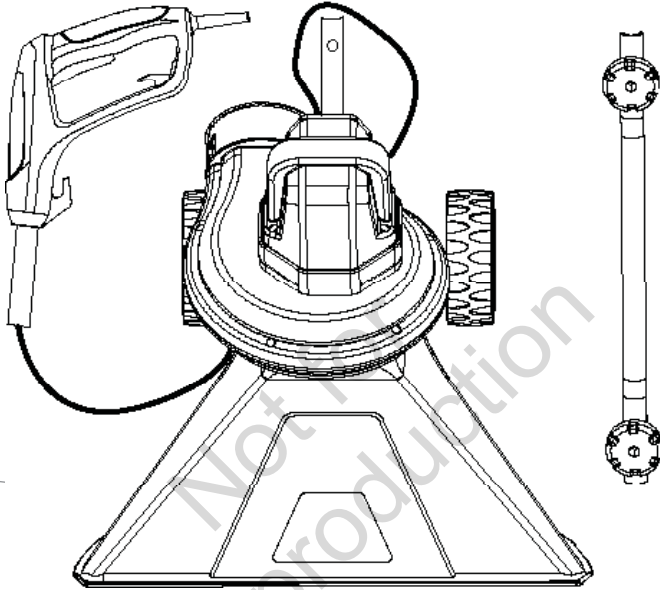
Don't use your Victa Mini Vac in wet conditions. Don't leave or use it in the rain. Do not vacuum water, liquids or excessively damp debris.

- Never allow people unfamiliar with these instructions to use your Mini Vac.
- Never operate your Victa Mini Vac without the bag properly fitted. If the bag is not properly fitted the machine may move forward or project particles out of the discharge chute. These particles may cause injury.
- Make sure your power point is properly earthed and that your extension cord complies to electrical standards, is in good condition and is weather proof.
- Have your Victa Mini Vac inspected and serviced at an approved service centre or agent if:
  - o The motor, cord or switch needs repair or maintenance.
  - o It is running abnormally or erratically.
  - o The switch action is not positive or the motor emits burning odours or sparks.
  - o It is dropped or damaged in any way.
- This appliance is not intended for use by young children or infirm persons unless they have been adequately supervised by a responsible person to ensure that they use the appliance safely.
- Do not use around a swimming pool while people are swimming. If the machine falls into the water there is the danger of electrocution.
- While using the Mini Vac, always wear substantial foot wear & long trousers.
- Do not wear loose clothing or jewellery that can be drawn into the air inlet. Keep long hair away from the air inlets.
- Never vacuum fishing line, string, plastic bags or similar material into the unit as tangling with the impeller may cause the motor to overload and stall. If this occurs switch the Mini Vac off. Do not allow the Mini Vac to remain switched on in the stalled or overloaded condition.

Note: Do not use the Mini Vac for anything out side of its intended use.

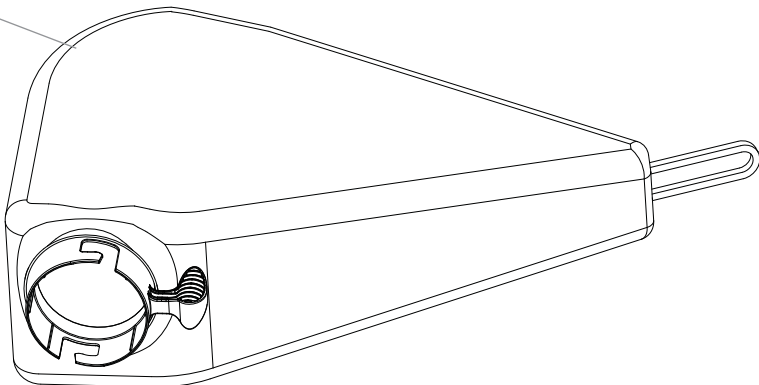
See a authorised dealer for further assistance if required.

- Always operate the unit in an upright position. Do not operate the unit when tipped on its side or upturned.
- Always use an extension cord with heavy duty insulation that is weather proof and designed for outdoor use. Nominal cross-sectional area of the conductors should not be less than 1.0mm<sup>2</sup>.

Unassembled  
handle

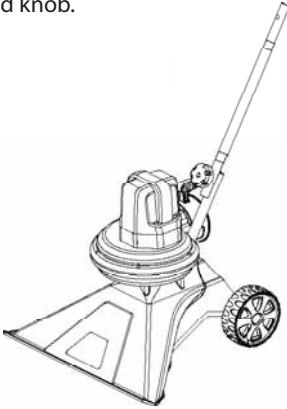
Mini Vac unit

Bag

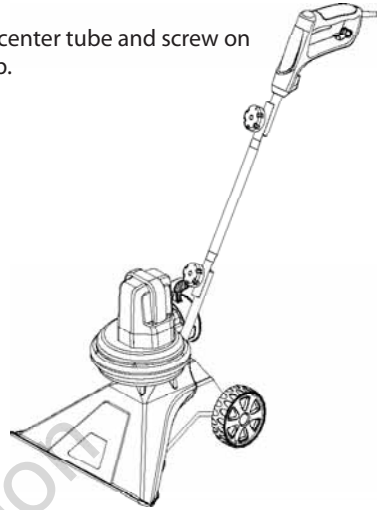


**FITTING THE HANDLE**

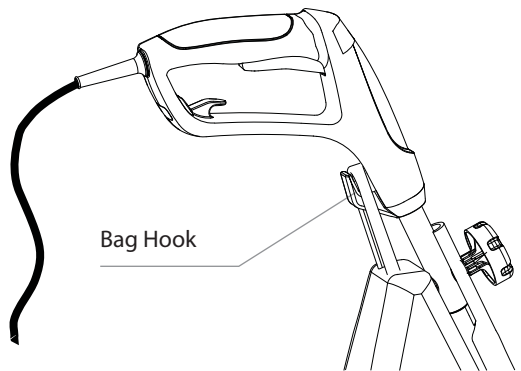
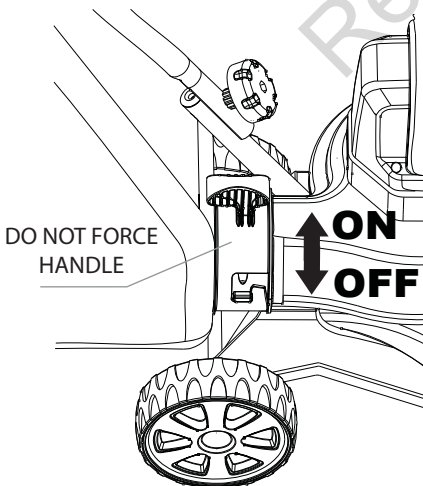
1. Fit loose bolt through lower tube. Fit center tube over bolt, then screw on hand knob.



2. Fit handle to center tube and screw on other hand knob.

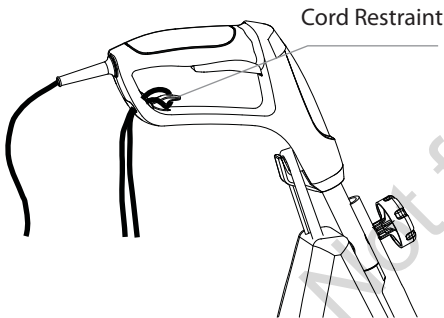
**ATTACHING THE VACUUM BAG**

1. Fit "twist-and-seal" bag attachment to vacuum discharge.
2. Twist bag attachment handle to upright position
3. Hang bag from handle by fitting eyelet over handle hook.



## BEFORE YOU START

- Ensure that the handle has been correctly fitted and is firmly fastened to the machine (see assembly instructions) P5.
- Always ensure that the vacuum bag is fitted to the Mini Vac before switching on (see assembly instructions) P5.
- Connect to an extension cord. Loop the extension cord through the handle and around the cord restraint as shown.



- Operate the appliance only in daylight or in good artificial light.
- Do not over-reach and keep your balance at all times.
- Always be sure of your footing on slopes.
- Walk, never run.
- Keep all cooling air inlets clear of debris.

It is recommended that the Mini Vac should be connected to the mains through a Residual Current Device (RCD) with a tripping current of not more than 30 mA. Always use a heavy duty extension cord.

- Ensure the Mini Vac is switched off.
- Switch on at the handle – Always do this from a standing position. Never while kneeling or sitting next to the Mini Vac .
- “Vac” away debris by moving the Mini Vac over the area to be cleared.

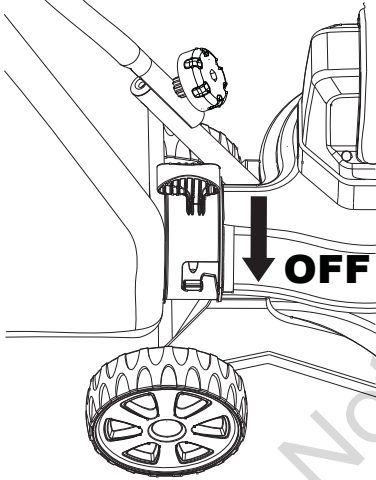
- Always direct the cord to the rear away from the appliance.
- If a cord becomes damaged during use, disconnect the supply cord from the mains immediately.  
DO NOT TOUCH THE CORD BEFORE DISCONNECTING THE SUPPLY.
- Do not carry the appliance by the cord.
- Disconnect the appliance from the mains supply.
  - whenever you leave the machine;
  - before clearing a blockage;
  - before checking, cleaning or working on the appliance;
  - if the appliance starts to vibrate abnormally.



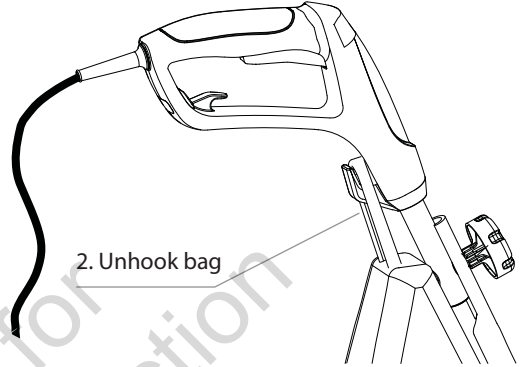
## EMPTYING THE VACUUM BAG

NOTE: ENSURE THE MINI VAC IS SWITCHED OFF!

1. Rotate "twist-and-seal" collar to the OFF position



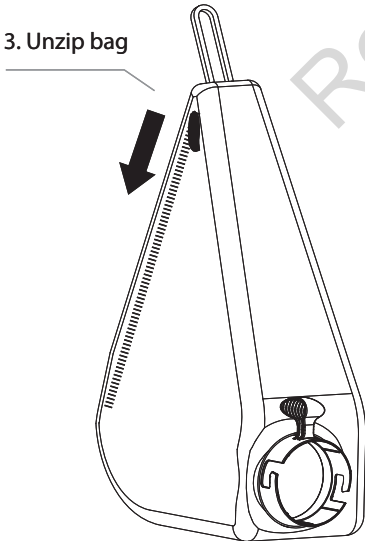
2. Unhook bag



4. Empty bag into a rubbish bin

Note: Shake bag to empty contents.  
Always wear eye protection when cleaning the bag.

3. Unzip bag

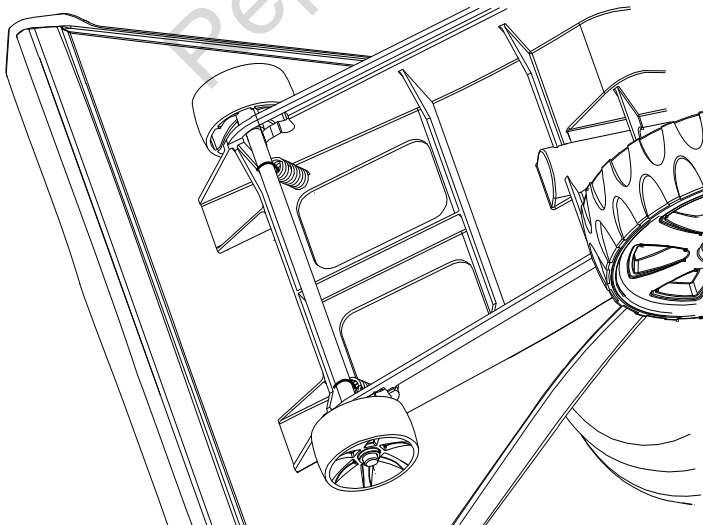
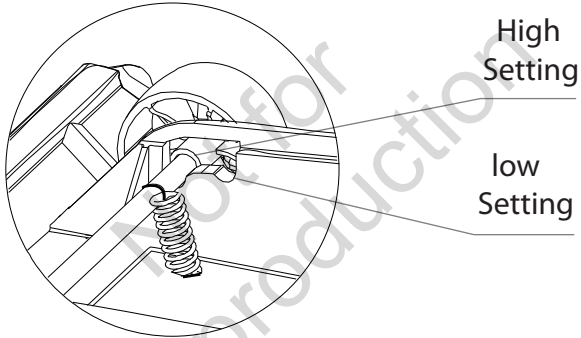


**HEIGHT ADJUSTMENT**

The Mini Vac has height adjustment that is easy to change.

Note: Ensure your Mini Vac is switched off before adjusting the operating height.

- For the high height setting move the front wheels forward, so they are in the slot closest to the vacuum inlet.
- For the low height setting move the front wheels back, so they are in the slot closest to the handle.



## VACUUM BAG

As with all similar bags, the material becomes clogged with fine particles during use and the operating efficiency of the machine will deteriorate without simple routine maintenance.

It is good practice to unclog the bag by shaking it after each use to ensure the bag material is able to filter correctly.

Remove the bag from the Mini Vac and clean with a garden hose. Always ensure the bag is completely dry before storage or use.

The vacuum bag is a consumable item. It is subject to high degrees of wear and tear and as such will need replacing from time to time.

To reduce unnecessary wear on your vacuum bag, avoid operating the machine in a manner that causes the bag to drag on the ground.

NOTE: Vacuuming of high wear materials is not recommended.

These materials include glass, stones, rocks or any other sharp object which will cause a high degree of wear to the bag and will cause a rapid decline in the life of the bag.

For further assistance please contact a Victa service representative on which materials are suitable for use.

If the bag is damaged please replace immediately. Replacement bags are available from your Victa dealer.

## MAINTENANCE AND STORAGE

- Keep all nuts, bolts and screws tight to be sure the appliance is in safe working condition.
- Check the vacuum bag frequently for wear or deterioration.
- Replace worn or damaged parts.
- Use only genuine replacement parts and accessories.
- Store the appliance only in a dry place.

## CLEARING AN INLET BLOCKAGE

Twigs and long material may cause a blockage in the inlet chute of your Mini Vac. If this occurs try giving the machine a gentle shake while it is still running. If this is not successful, switch your Mini Vac off and unplug the cord at the power outlet and clear the blockage.

To prevent a recurrence of the Mini Vac blocking it may be necessary to move your Mini Vac more slowly over the debris to be picked up.

**CONSUMER RIGHTS**

The buyer should be aware that in relation to goods which are of a kind ordinarily acquired for personal, domestic or household use or consumption, certain provisions such as the Trade Practices Act, 1974 (Aust) and the Consumer Guarantees Act, 1993 (NZ) apply. The terms set out below do not exclude rights and remedies implied by a statute which are non-excludable and which may be more extensive than those provided by this warranty.

**WARRANTY SERVICE**

Warranty Service under both the Express Warranty and the warranties implied by law is available at any VICTA Authorised Service Centre. These centres are staffed and equipped to provide expert service.

**Warranty Period**

<b>Model</b>	<b>Domestic Use only</b>
Victa MV 1200	1 Year/12 months

**VICTA EXPRESS WARRANTY**

The VICTA Express Warranty is additional to the conditions and warranties which are mandatorily implied by the laws and regulations of the individual States and Territories of Australia and the Trade Practices Act, 1974 (Aust) and the Consumer Guarantees Act in New Zealand and any non-excludable laws.

Under Express Warranty the 'Mini Vac' is warranted from the date of purchase for 12 months against mechanical defects and faulty workmanship or material. Express Warranty covers only the replacement, repair or adjustment of parts which fail due to a fault in manufacture. Defective parts will be replaced or serviced by an Authorised VICTA representative without charge for labour or materials, subject to conditions. Repairs or adjustments required by normal use or by failure to follow the manufacturer's instructions are chargeable to the owner.

VICTA Service Representatives or agents are authorised to determine whether a claim will be covered under warranty, or payable by the owner on completion.

You should seek independent legal advice to determine whether a claim not covered by the Express Warranty is covered by any warranties implied by law.

- Express Warranty applies to the original purchaser only. Proof of purchase date must be provided prior to Express Warranty work.
- Use of parts other than genuine VICTA Spare Parts cancels the Express Warranty.

- Repairs other than by a VICTA Authorised Service Centre cancels the Express Warranty.
- Altering the product cancels the Express Warranty.
- Failure to follow the instruction manual or labels attached cancels the Express Warranty.
- Fair and reasonable wear is covered by the Express Warranty.
- Damage from an accident, misuse or neglect is not covered by the Express Warranty.
- Costs of transportation of the 'Mini Vac ' are to be paid by the owner.

#### LIMITATIONS OF WARRANTY

Nothing in these terms shall exclude, restrict or modify any term, condition, warranty or liability implied into this contract by statute, where to do so would be unlawful or would render any provision of this contract void. Subject to that, all warranties implied by statute in respect of the goods are hereby expressly negated and VICTA's liability for the goods is limited to any warranties issued in writing by VICTA and VICTA is excluded from any liability whether under this contract or otherwise to the buyer of any third party for any loss, injury, cost or damage (direct, indirect, special, consequential, or otherwise and whether or not arising from a negligent act or omission of VICTA), incurred or suffered by reason for the goods, their use, their design or any failure to deliver or delay in delivering them. Where it is legal to do so, any remaining liability implied by statute or resulting from breach of any term, condition or warranty implied by statute is limited to, at VICTA's sole option:

- The replacement of the goods or the supply of equivalent goods
- The repair of goods
- The payment of the cost of replacing the goods or of acquiring equivalent goods or
- The payment of having the cost of the goods repaired.

In particular, your rights and remedies under the Trade Practices Act (Aust) and the Consumer Guarantees Act (NZ) are not excluded.

#### WARRANTY AND SERVICE

Australia 02 8778 5550

New Zealand 09 912 0747

[www.victa.com](http://www.victa.com)

Not for  
Reproduction

Not for  
Reproduction



## Victa Lawncare Pty Ltd

ACN 008 627 110 ABN 22 008 627 110

### Australian Head Office

Locked Bag 4096  
Milperra BC NSW 1891  
P: 02 8778 5550  
F: 1800 022 154  
Website: [www.victa.com](http://www.victa.com)

### New Zealand Office

PO Box 12463  
Penrose, Auckland  
P: 09 912 0747  
F: 09 912 3577

### International

Please visit  
[www.victa.com](http://www.victa.com)  
for relevant distributor  
details

A5	AT	PB	Revised	13/01/10
A4	AT	PB	Revised	30/09/09
A3	AT	PB	Production	07/09/09
Rev	Own	Chk	Release	Date