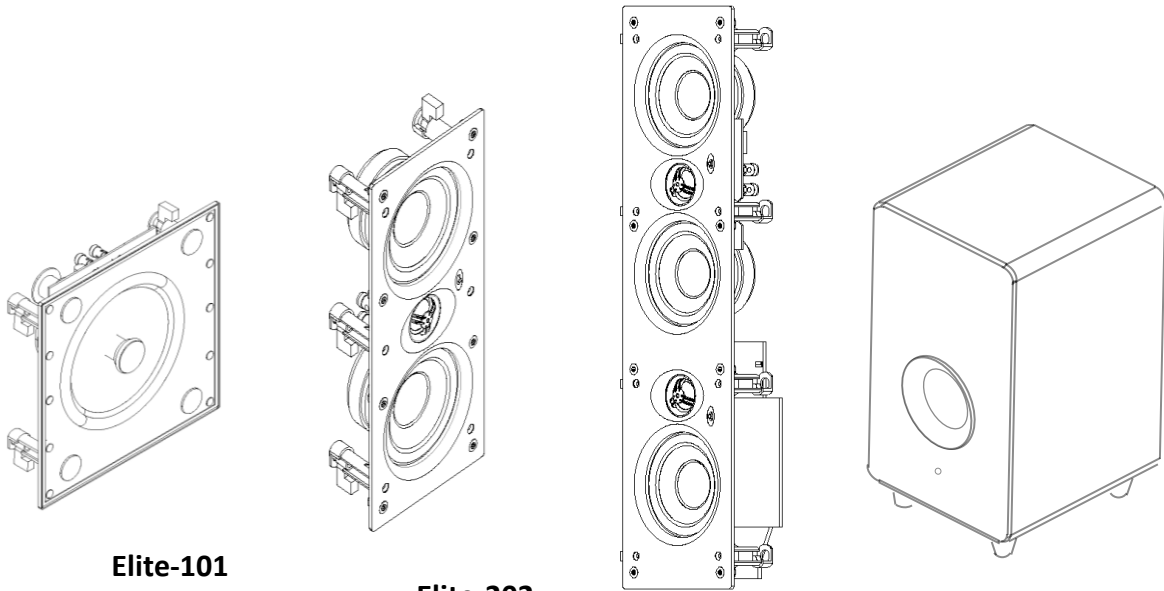


JENSEN® *Glass*

The *Ultimate* In-Wall / In-Ceiling Speakers



Elite-101

Elite-202

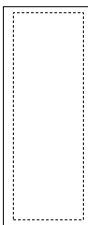
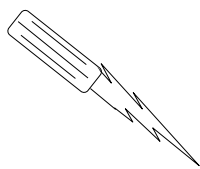
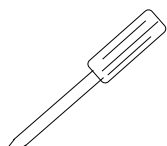

Elite-303

Elite-606
See separate manual

Congratulations for buying the best *In-Wall Speakers* on the planet !

Please read this manual carefully understanding that advanced planning is essential.

Check for damage: We know you will be eager to install your new Speakers, however, please firstly inspect your units for any damage. If you find a problem please contact us immediately at info@bdimports.com.au

<p>Supplied</p>  <p>Template</p>	<p>Not supplied</p>  <p>Wall cut tool</p>  <p>Philips screw driver</p>  <p>Stud Finder</p>	<p>Wall Cavity Depth required:</p> <p>Elite-101 85mm Elite-202 62mm Elite-303 75mm</p>
----------------------------------------------------------------------------------------------------------------------------	-------------------------------------------------------------------------------------------------------------------------------------------------------------------------------------------------------------------------------------------------------------------------------------------------------------------------------------------------------------	-------------------------------------------------------------------------------------------------------

Break in Period:

Premium grade parts and materials are used in these Elite-101/202/303 products so maximum performance can be obtained in damp and dusty environments such as wall and ceiling cavity. **Break In period is appx 10-20 playing hours** after which time Bass will improve. There is no need to limit playback volume at all during this time.

Step 1: Advanced Planning

Decide the placement for your speakers. **Advance planning in regards to the placement of your speakers is critical.** It is imperative that the wall or ceiling cavity be free from debris, moisture, insulation, and any materials that are easily combustible. The mounting location must also be void of wall studs or bracing in the location for the cutout. **Adequate Wall Cavity depth (see above) to allow speakers to fit flush to the wall or ceiling surface is important.** If you are unsure of the contents of the wall in which you wish to mount the speakers, Electronic Stud Finders work very well (see FIG 1), otherwise a professional installer can assist here.

FIG 1.



Stud Finder

Step 2: Fitting Glass Grills

Fit Elite-101 grills squarely and be certain **ALL** 4 magnets grab and not just 2 or 3. For **Elite-202/303**, align all 8 pins then gently press Glass panel into rubber bushes. When removing, pull a little from top, then from bottom to remove evenly.

Step 3: Template:

Use the supplied template and mark the cut-out on the wall or ceiling. To mark, simply trace with a pencil, along perforated line (see FIG 2). Ensure your markings are level.

Template

Step 4: Cutting the Wall / Ceiling

Using the appropriate wall-cutting tool, blade or Stanley knife, accurately cut the hole in the wall material, based on the correct cut-out dimension (see FIG 3).

Step 5: Installing Speaker Leads

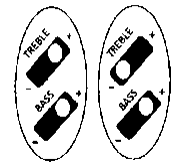
For Elite-101 and 202, from your Receiver run one speaker cable thru the wall/ceiling to each Left and Right speaker (see FIG 4). For **Elite-303**, run **TWO** speaker cables thru the wall/ceiling to each Elite-303 as this model has inbuilt Centre/Left and Centre/Right speakers as well as Left and Right. (See FIG 5 and FIG 7). In both cases, leave enough slack in wire so that it can hang out of hole.

Step 6: Red-to-Red & Black to Black

Connect the speaker wire from the positive (RED+) terminal on the receiver to the positive (RED+) terminal on the speaker. Connect the negative (BLACK-) the same way to the negatives. Note: If you inadvertently reverse one of the connections (i.e. RED to BLACK) you will notice a severe lack of Bass from your system. This is called wiring your system "Out of Phase". If this occurs, check the wiring and reconnect as necessary.

Step 7: Mounting Speakers

Insert the entire speaker into the hole. Move Speaker wire away from back of cone to avoid a possible rattle. Using a Phillips head screwdriver, tighten the screws attached to the dog clamps until you feel Dog Clamps take grip (**9~10 FULL TURNS**). At this point you can see the gap between Speaker Frame and wall/ceiling close fully. Then, **NIP THESE UP - DO NOT OVERTIGHTEN**. See FIG 6. Note: If you are unable to install these speakers yourself, please contact an authorized electrician or installation contractor.



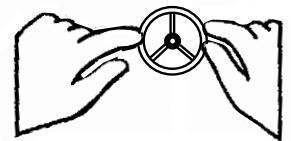
Boost switches.

Sound Settings

Boost switch. Adjust Elite-202 / 303 Treble switches to suit your sound preference.

If using a Subwoofer set to (+) to fully maximize performance. Note: Elite-101 has no switches but is factory preset to Max Boost (+).

Eyeball Tweeters. You can adjust the angle of the Tweeter slightly in order to compensate for poor mounting locations. Do this by adjusting Tweeter casing. **DO NOT touch the Tweeter** in any way as permanent damage may occur.



Eyeball Tweeters

Matching Subwoofer : Elite-606:

140 Watts RMS, Heavy-Duty "monster" driver with 40oz magnet and 2" Voice Coil is perfectly matched to ALL JENSEN Speakers. Available in stunning Hi-Gloss White or Black. See separate Info Manual.

Elite 606

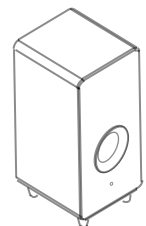
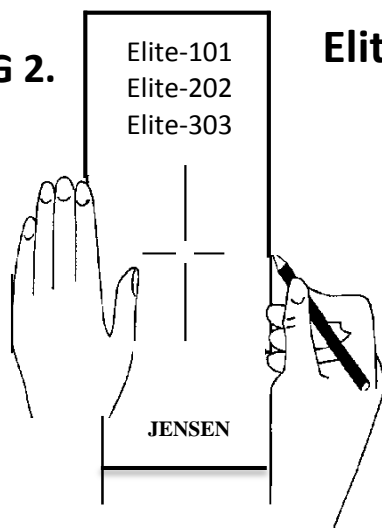


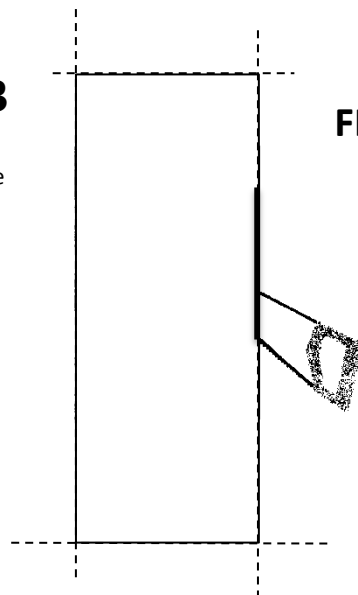
FIG 2.



Elite-101, 202 & 303

Once final mounting positions are determined, use pencil and template (supplied) to mark the wall and cut-out.

FIG 3.



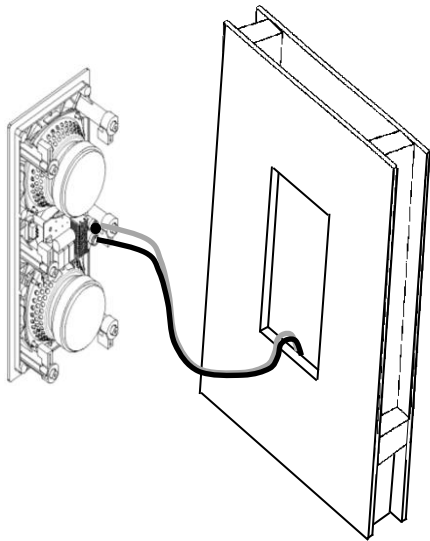
TIPS:

- ✓ 1. Use Laser level or Spirit level to ensure template is perfectly level.
- ✓ 2. Use a Stud Finder to Pre-plan your locations.
- ✓ 3. Both ends of Speaker Leads must be Pos (+) to Pos (+) & Neg (-) to Neg (-)
- ✓ 4. Do not use Battery Drill.

Elite-101 & 202

Run 1 Speaker lead to each
Left & Right Speaker.
(FIG 4)

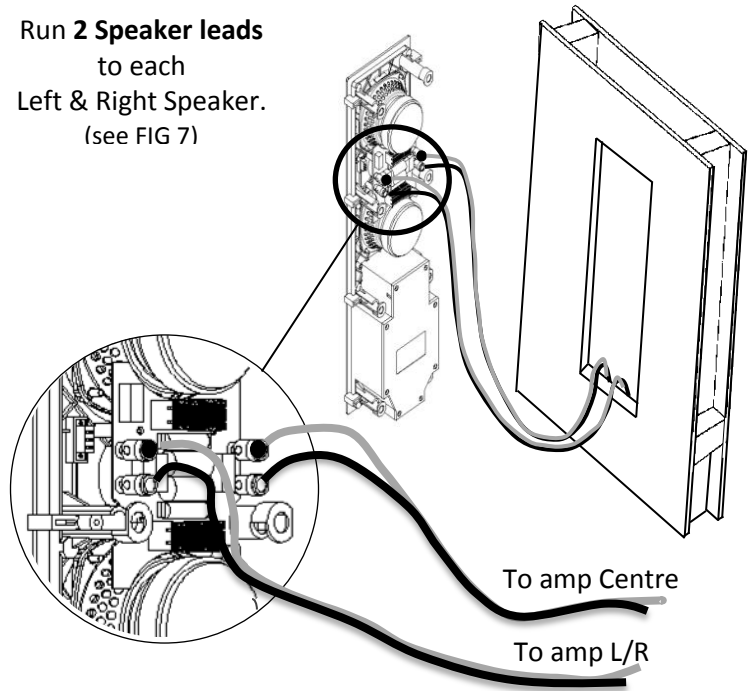
FIG 4.



Elite -303

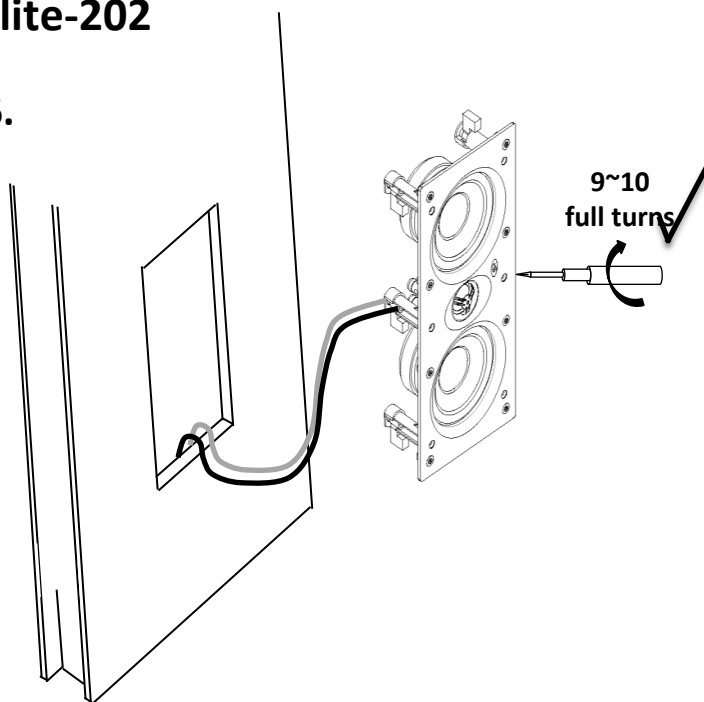
Run 2 Speaker leads
to each
Left & Right Speaker.
(see FIG 7)

FIG 5.



Elite-202

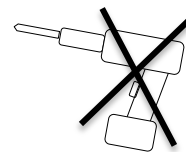
FIG 6.



TIPS: 9~10 Full Turns.

With a screw cutting a new plastic thread, the first few turns may appear stiff. It will become easier. The trick is to gently close the gap between Speaker panel and wall, then

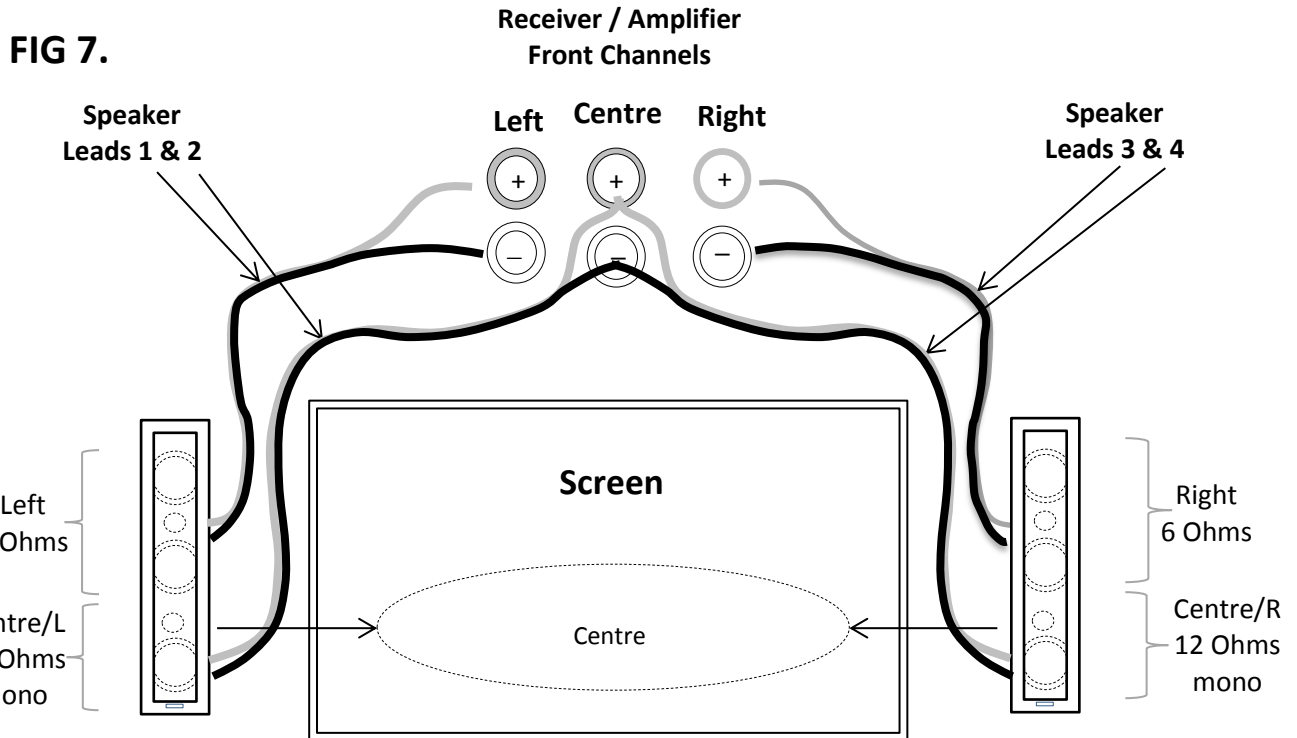
NIP THESE SCREWS UP – DO NOT OVERTIGHTEN AND DO NOT USE A BATTERY DRILL.



Elite-303 wiring diagram

Front Channels. From Receiver, run 2 Speaker Leads (one for L/R and other for Centre) to **each** LEFT and RIGHT Speaker (FIG 7). At receiver end, take the two Centre Speaker Leads and TWIST both positives together and connect to positive Centre terminal on Receiver. Ditto with Negatives to negative terminal. It is imperative to keep all positives together and all negatives together.

Placement: Only rule is LEFT and RIGHT Speakers to be same distance from TV screen. We suggest each to be 200mm ~ 350mm from Screen.



	Elite-101	Elite-202	Elite-303	Elite-606
Shape	Square	Rectangular	Rectangular	Gloss Black / White
Suited for	Wall	Wall	Wall	Floor Subwoofer
Description	Glass front 6.5" 2 Way	Glass front Twin 4.5" 2 Way	Glass front Twin 4.5" 2 Way + inbuilt Twin 4.5" 2 Way Centre Speaker	Hi Gloss enclosure with Down-firing 8" "Monster" driver with 40oz magnet & 2"V/coil
Tweeter size mm / inches	28mm Pure Silk Dome	28mm Pure Silk Dome	Twin 28mm Pure Silk Domes	n/a
Power Handling	110 W RMS	140 W RMS	140 WRMS + 140WRMS	140 Watt RMS Output
Nom. Impedance	6 Ohms	6 Ohms	6 Ohms	n/a
Sensitivity	91db	90db	90db	n/a
Frequency Resp.	42Hz-21kHz	40Hz-21kHz	40Hz-21kHz	35Hz-200Hz
Min. Mounting Depth mm	85mm	62mm	75mm	n/a
Tweeter Boost switch	NO	YES	YES	n/a
Eyeball tweeter	YES	YES	YES	n/a
Paintable Faces & Grills	NO	NO	NO	n/a
Tweeter Protection	YES	YES	YES	n/a
Magnetic Shielding	NO	NO	NO	NO
Colours	Black / White	Black / White	Black / White	Hi Gloss Black or White
Outer Dimensions: mm	240 x 240	570 x 163	650 x 163	460(H)x 277(W)x 313(D)
Cut-out Dimensions: mm	226 x 226	325.5 x 137.5	568.5 x 137.5	n/a
Warranty	5 Years unconditional	5 Years unconditional	5 Years unconditional	5 Years (1 year on amplifier module)

