

ENGLAON LED24M10 24 inch HD Smart LED 12V TV User Manual

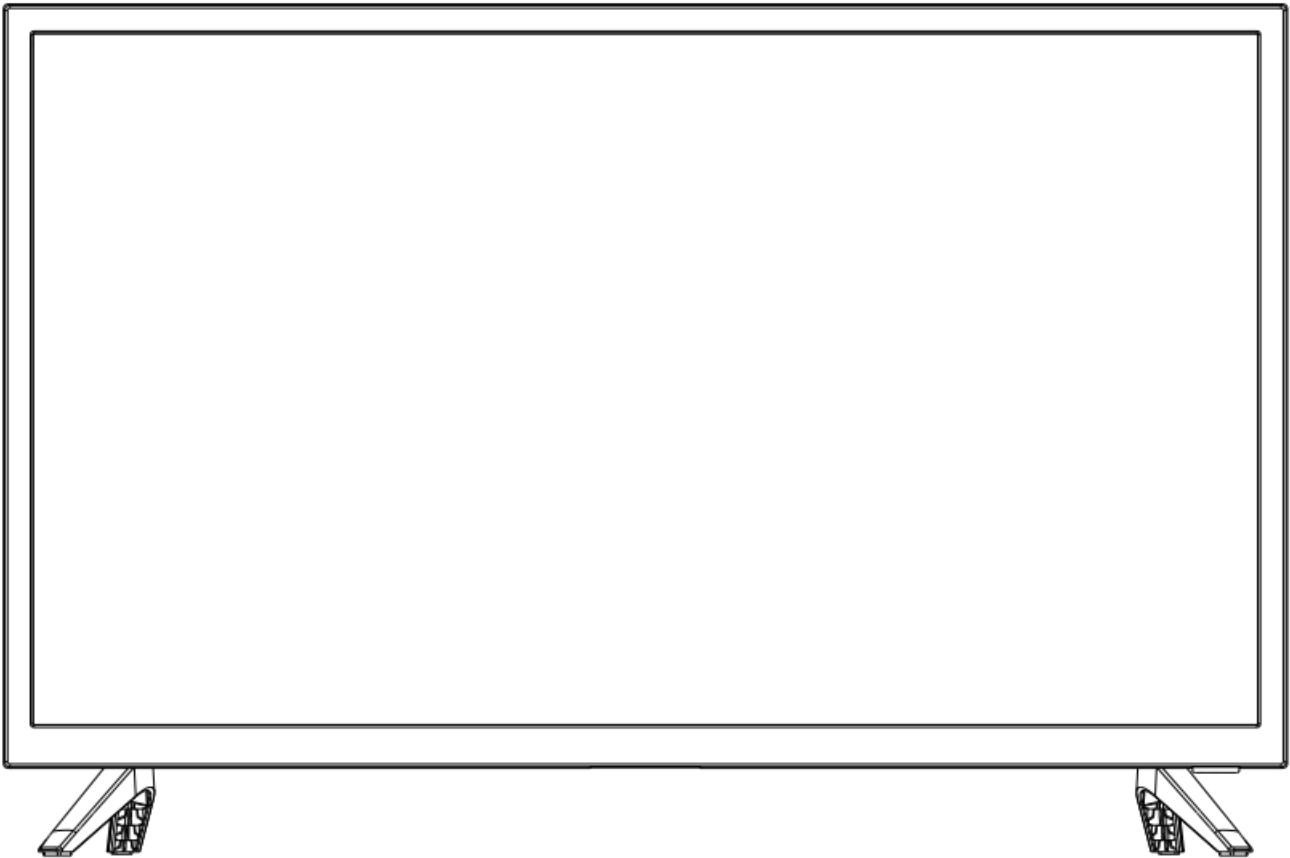
[Home](#) » [ENGLAON](#) » ENGLAON LED24M10 24 inch HD Smart LED 12V TV User Manual 

Contents

- 1 ENGLAON LED24M10 24-inch HD Smart LED 12V TV
- 2 Safety Warning and Notice
 - 2.1 Under Following Conditions
- 3 Mounting and Connecting
 - 3.1 Packing list
- 4 Mounting the TV set
 - 4.1 Tips on Installation
 - 4.2 Mount on the base Mount on the wall
 - 4.3 Ventilation
- 5 Connecting peripheral equipment
- 6 Panel Control Keys
- 7 Remote Control
 - 7.1 Keys of the Remote Control
- 8 Basic Operations
 - 8.1 Remark:
- 9 Turning on/Standby
- 10 Menu operation description
- 11 Smart TV
- 12 OSD Language setting
 - 12.1 Program scanning
 - 12.2 Auto-Search
 - 12.3 DTV Manual Search
- 13 Timeshift option
- 14 APP
- 15 Network settings
- 16 wow
- 17 Multimedia player
 - 17.1 Attention
- 18 Base Installation Instructions
- 19 Documents / Resources
- 20 Related Posts

ENGLAON

ENGLAON LED24M10 24-inch HD Smart LED 12V TV



Safety Warning and Notice

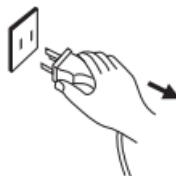
Thanks for choosing the high-performance and multifunctional intelligent LED TV produced by our company. This precious thing will bring you better audiovisual enjoyment. The design of this product has given consideration to factors affecting personal safety, and the product itself has gone through strict tests prior to delivery. However, improper operation may result in electric shock and fire disaster. To ensure safety, prolong the service life of this product, and make sure the best performance of this product can be given full play, please read the manual and marking label carefully before using it and comply with the following safety instructions. Please keep the user manual for later use.

Warning

May result in casualties Indicate the behaviors that must be prohibited May result in personal injury or property losses Indicate the operations that must be performed

Under Following Conditions

- Power failure or unstable voltage.
- Abnormal sound or smell from the device.
- AC power cord is damaged.
- TV set is damaged due to falling off, knock or impact.
- Any liquid or foreign matters enter into the TV set.



Turn off the TV set immediately, unplug the power cord from the power outlet, and contact authorized

maintenance personnel.

If coal gas or other flammable gases leak, do not unplug the power cord of the TV set or other electric appliances; instead, close the valve of the gas immediately and open the doors and windows.

Warning

- Use 12V, ..., 3A, or 100-240V ~50/60Hz (S) power supply.
- all cables can be connected or pull out only after power supply is turned off.
- Do not fix the TV set on instable position, or else it may cause falling off, damage, or even fire.
- Do not put the TV set in the environment:
 - With direct sunshine, moisture, overheating, undercooling or heavy dust;
 - With flammable or explosive substance;
 - With flammable or corrosive gas;
 - In bathroom, kitchen, etc.
- Do not use damaged or improper power socket, and ensure that the plug and socket are connected properly.
- Keep the power plug and socket free of dust and metal pieces.
- Do not damage the power cord:
 - It is prohibited to refit the power cord;
 - Do not put heavy object on the power cord;
 - Keep the power cord away from heat source;
 - Do not drag the power cord when unplugging.

Warning

- Do not connect too many appliances to one power strip, or else it may cause fire due to high power consumption.
- Do not let open flame (e.g. lit candle) approach the TV set, or else it may cause electric shock or fire.
- Do not put the container filled with water on the TV set, to avoid electric shock or fire caused by water drop of splashing.
- Do not penetrate any sharp object, metal or liquid into the signal connector or air vents, to avoid short circuit and product damage as well as electric shock.
- The slots on the case is designed to release heat so as to assure that all inside components will not reach an extra high temperature and can work normally for a long time. Please do not cover the holes while place it.
- Do not touch the plug with wet hands, or else it may cause electric shock.
- Do not turn on the TV set in thunderstorm weather; instead, unplug the power plug and antenna connector to avoid lightning strike.
- Do not disassemble the TV set by yourself, or else it may cause electric shock or fire. Contact qualified personnel for maintenance.

Attention

- Do not let children climb onto the TV set.
- Keep the small accessories away from children's reach to avoid swallowing.
- If the TV set won't be used for a long time, please turn off the device and unplug the power cord.
- Before cleaning the TV set, unplug the power cord and wipe with soft cloth; do not use chemical reagents and avoid foreign substances entering into the device. The incorrect cleaning {such as cleaning fluid, water, etc} may lead to damage of product's appearance, erasing products printing information, even flow into the machine and damage components, cause machine can not display.
- To adjust the position or angle of the TV set, please disconnect all wires and move slowly to avoid falling off.

- Do not rub with hard object, knock at, bend or squeeze the screen.
- Do not use machine immediately after transferring machine to the places with high temperature from low temperature, which will cause fogging inside machine and failures.
- If the screen is broken and the liquid splashes on skin, please wash with clean water immediately for 15 minutes, and go to see your doctor.
- To carry the TV set with hands, please grasp the corners and hold the bottom; do not apply force on the panel.
- Displaying the same image for a long time or active image with fixed words, icons will leave “image persistence” on screen which will not disappear after powering off for a long time. This undesirable phenomenon is not covered by warranty.
- Healthy TV watching:
 - Watch in appropriate light; poor light or long time watching may hurt your eyes.
 - Adjust the volume appropriate to avoid hurting your hearing.
- Unplug the power cord of the device to cut off the power supply.
- If a power plug or appliance coupler is used as disconnecting device, it should ensure easy operation.
- Power plug shall be connected reliably. Loose power plugs may cause sparkle and fire.
- All the technical specifications in the user’s manual and on the packaging are subject to changes without prior notice. If there is a slight deviation between the user’s manual and actual operation, the latter shall prevail.

The terms HDMI and HDMI High-Definition Multimedia Interface, and the HDMI Logo are trademarks or registered trademarks of HDMI Licensing Administrator, Inc. in the United States and other countries.

Mounting and Connecting

Packing list

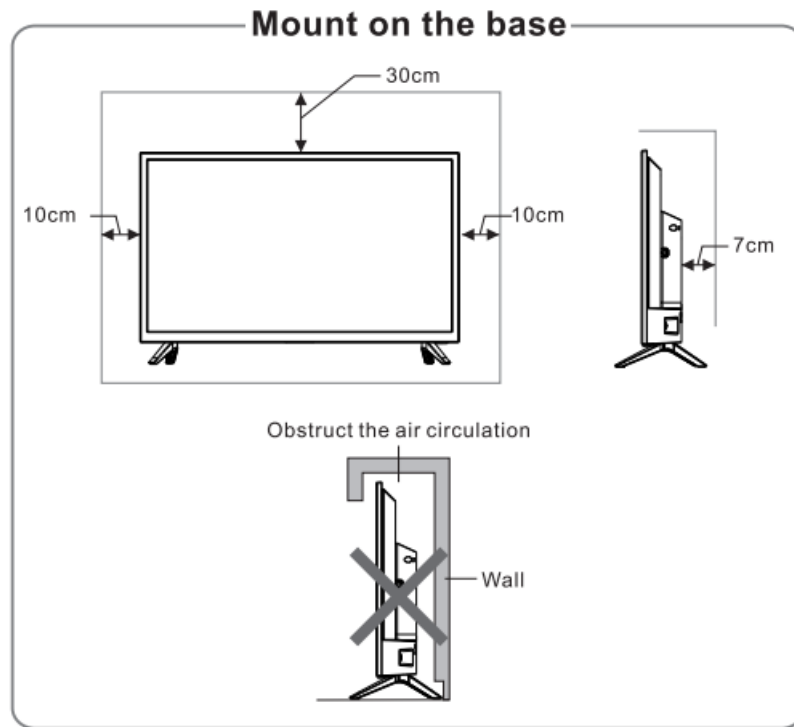
1. The TV set.
2. User Manual.
3. Remote control.
4. Power cord (or attached to TV set).

Mounting the TV set

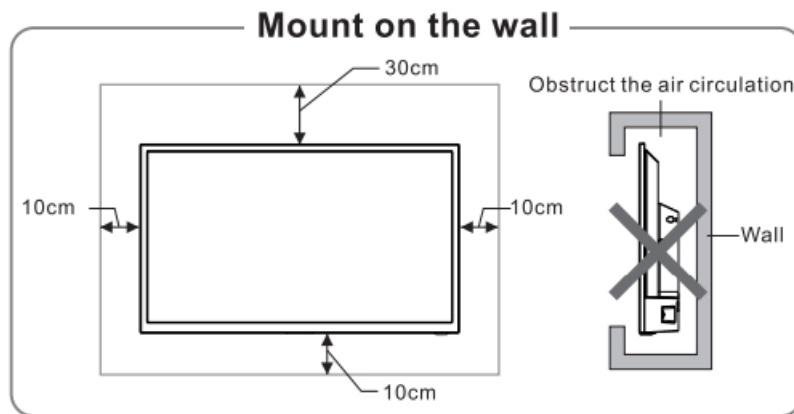
Tips on Installation

- The TV set should be mounted near the AC power socket for easy plugging and unplugging.
- For your safety, please select the appropriate wall mount bracket or base.
- To avoid hurt, it is required to place the TV set on a stable plane or fix on a firm wall.
- Ask qualified personnel to mount the TV set on the wall. Improper mounting may result in unstable TV set.
- Do not place the TV set at any place susceptible to mechanical vibration.
- Do not place the TV set at any place that insects may enter.
- Do not mount the TV set against air conditioner, or else the internal panel of the display may condense moisture and cause failure.
- Do not place the TV set at any place with a strong magnetic field, or else it may be interfered with and damaged by the electromagnetic waves.

Mount on the base



Mount on the wall



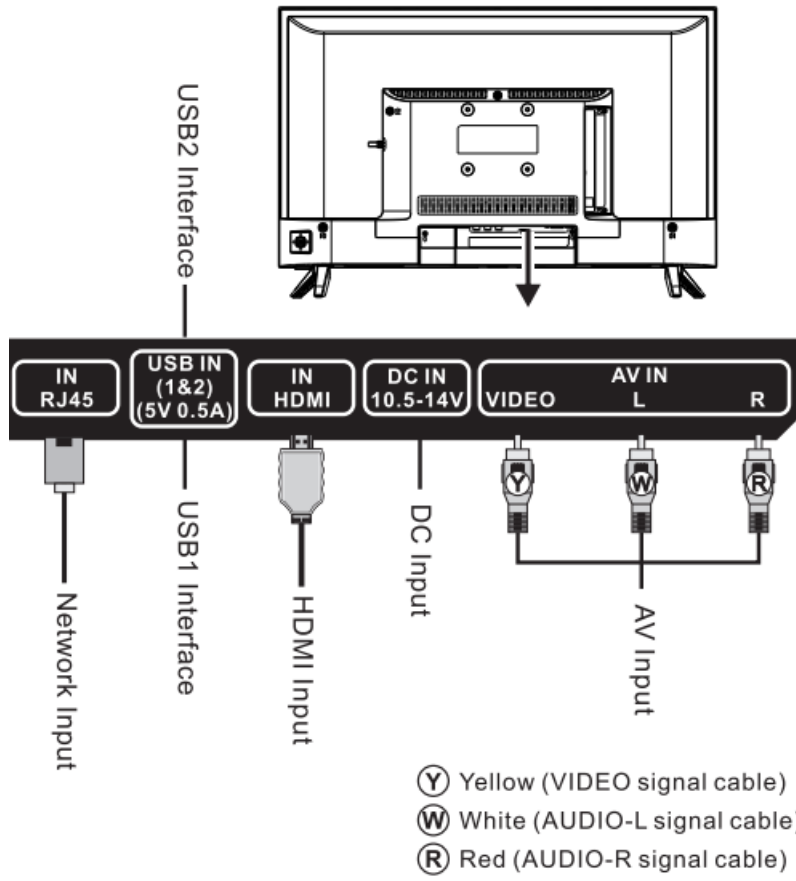
Ventilation

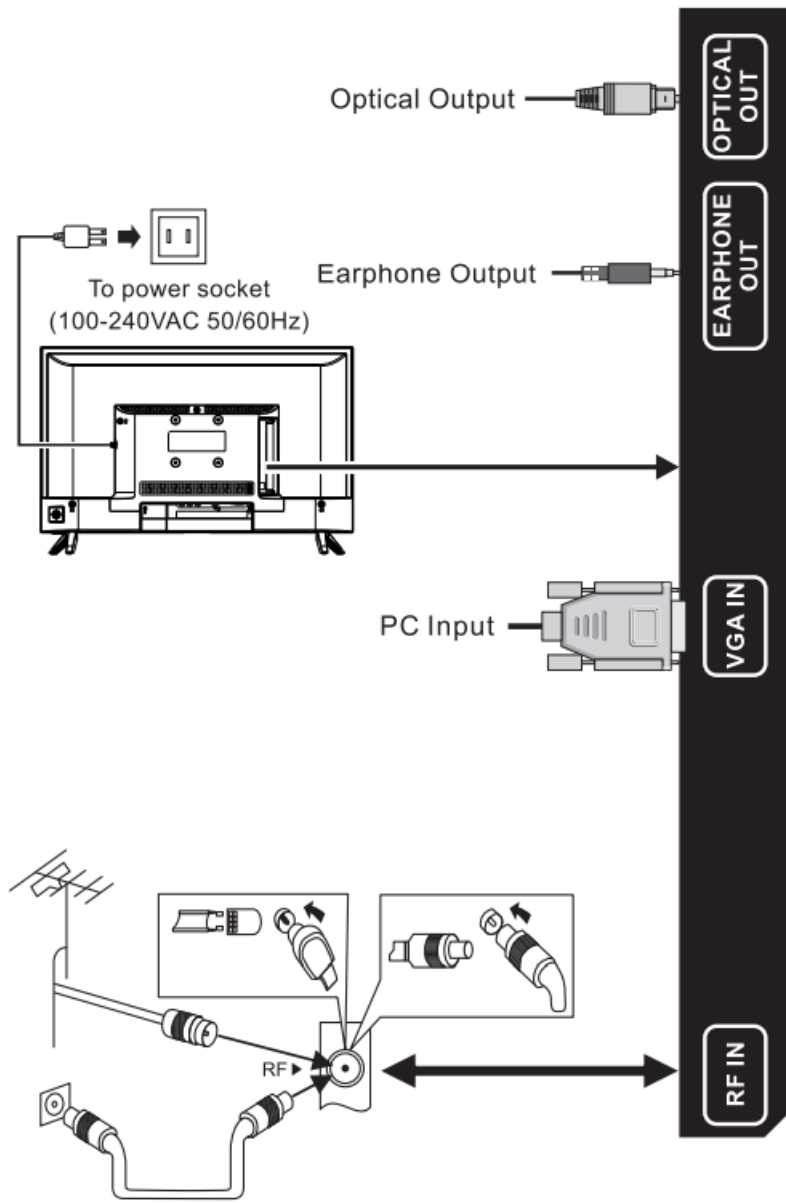
- Please keep this space at least around the TV, as shown in the figure.
- Do not cover the air vents or insert any object into the enclosure.
- Do not put the device in limited space, e.g. bookcase or embedded closet, unless the TV set is properly ventilated.

Connecting peripheral equipment

Remark:

1. HDMI connector can realize DVI connector function with external HDMI/DVI commutator.
2. The peripheral equipment and cables described in this manual should be purchased separately.

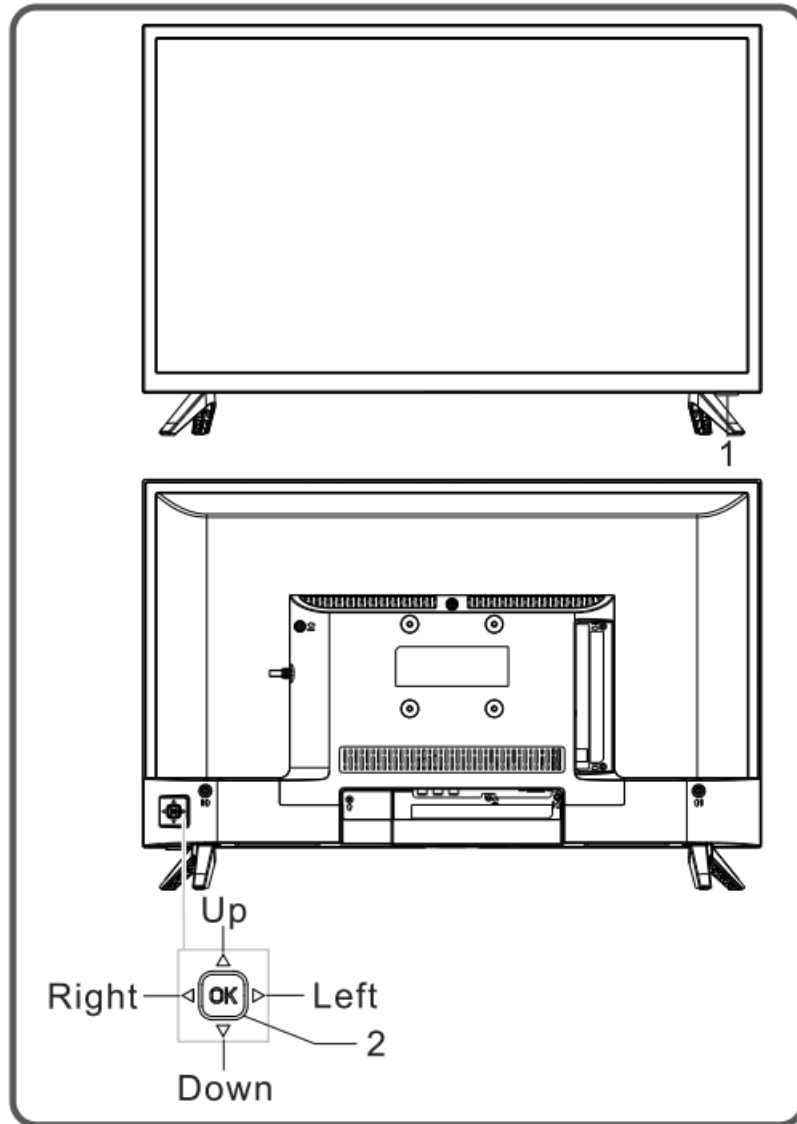




Warning

When connecting the outdoor antenna to signal port of the TV set, please turn off the main power switch of the TV set first. Do not approach the outdoor antenna to high voltage mains power line to avoid electric shock. The wired network antenna connected to this TV set must be isolated from the protective grounding, or else it will cause fire or other hazards.

Panel Control Keys



1. Power LED indicator and remote receiving window.

2. Rocker button combination key:

Power on or standby with OK rocker:

- When Plugging the power cord into the electrical socket, you can press OK rocker to turn on the TV.
- In a power-on state, press OK rocker to display the function menu, then move rocker Left/Right to select C) and press OK rocker to switch to standby mode.

3. After turn on the TV, Press OK Rocker:

- In non-OSD menu operation, press OK rocker to display the function menu which includes 4 sorts.
- During the menu operation, press OK rocker to After turn on the TV, Press OK Rocker:
- During the menu operation, press OK rocker to confirm the operation and the function is the same as the [OK] key on the remote control.

4. **Move rocker Left/Right:**

- In non-OSD menu operation, move the rocker Left/Right to decrease/increase the volume, the function is the same as the [VOL-]/[VOL+] key on the remote control.
- In OSD menu operation, move the rocker Left/Right to adjust the analog value of the selected item, the function is the same as the [◀]/[▶] key on the remote control.

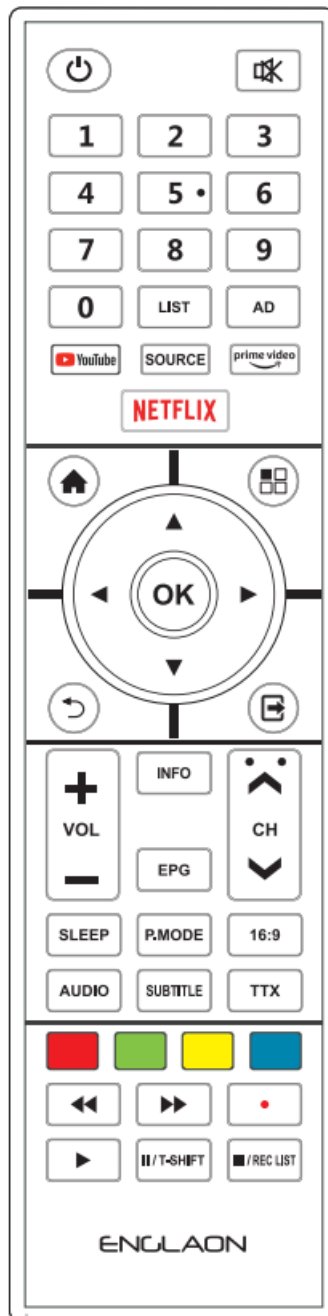
5. **Move rocker Up/Down:**

- In non-OSD menu operation, move rocker Up/Down to select the channel, the function is the same as

the [CH-] / [CH v] key on the remote control.

- In OSD menu operation, move rocker Up/Down to select the adjustment items, the function is the same as [•J|T] key on the remote control. Note: Different models may have different appearances; please refer to the actual device.

Remote Control



Method for Installation of Remote Control

Battery

Remove the battery compartment cover and insert two AAA (No. 7, 1.5V) batteries; make sure the polarity of the batteries is in compliance with the polarity mark "+" and "-" in the battery compartment of the remote control.

Precautions for using the remote control

- The remote control should be pointed at the remote control sensor during operation. An object placed between the remote control and the remote control sensor may impede normal operation.
- The remote control should be prevented from strenuous vibration. Besides, please do not set or place the remote control under direct sunshine, as heating power may result in the deformation of the remote control.

- Remote control failure may occur when the remote control sensor of the main unit is under direct sunshine or strong lighting; in this case, please change the angle of the lighting or this TV set, or operate the remote control near the remote control sensor.
- A low battery will influence the remote control distance, in which case, the battery should be replaced with a new one. If the remote control is going to be idle for a long time or the battery runs out, please take the battery out to prevent the remote control from being corroded by battery leakage which may result in damage and failure of the remote control.
- Please do not use batteries of different types. It is not allowed to use old and new batteries together; the batteries should be replaced in pair.
- Please do not throw the batteries into fire or charge or decompose the batteries; do not charge, short-circuit, disassemble/ assemble, heat or burn used batteries. Please dispose the waste batteries pursuant to relevant regulations on environmental protection.

Keys of the Remote Control

Keys	Function
Power(<!>)	Switch between working and standby status.
Mute (03<)	Turn on/off the sound.
Number keys	Select the channel or input numbers.
LIST	Show channel list.
AD	Turn on/off the associated audio.
uTube	Open YouTube application.
	Show signal source menu.
pri.m.e_video	Open prime video application.
NETFLIX	Open Netflix application.
Home (A)	Show home page.

SLEEP	Set the sleep time, and the device will switch to standby automatically at the specified time.
P.MODE	Select the TV image mode.
16:9	Switch the display mode.
	Fast backward.
II+	Fast forward.
Record (•) ▶	Start to record the current program.
(play)	Play function in multimedia.
II IT-SHIFT	PAUSE/Timeshift key.
■ / REC LIST	STOP/Show PVR list.

Note: The appearance of the remote control may be different from this diagram; please refer to the real object as standard.

Basic Operations

Remark:

1. The keys operation refers to remote control operation, for panel control keys operation please refer to “Panel Control Keys” operation explanation.
2. The [▶] key means direction key and the [▶](play) key means play function key
3. Menu Operation Instruction in this manual is explained according to TV mode. The operations in other modes are similar to the one in TV mode, and users can take it as a reference.
4. Before power-on the platform, please make sure that the power supply is stable.

Turning on/Standby

Before power-on the platform, please make sure that the power supply is stable. Plug the power cord into the electrical socket, then press the [◀]/[▶] key to turn on the TV. The first time you turn on the TV, the Welcome” menu will be displayed on the screen. Press[.&./ [T] key to select the OSD language which you wish and press

the [▶] key to the next step. The Data collection and firmware updates notice will be displayed on the screen, you can accept it or decline it according to your situation. Then you need to set the country, time zone and TV mode. Finally, follow the prompts to operate the network configuration and auto search, you can also choose to skip it temporarily. Please press[:)] key if you want to return to the previous page during the process.

In power on state, press the button key to switch to standby mode.

* **Special Tips:** This device adopts energy-saving technology. If there is no signal input in the power-on state, it will enter standby state automatically in ten minutes; The device will enter standby state automatically at specified sleep time;

Signal source selection

You can connect various devices to the TV set and view high-quality images. If the video device has HDMI, AV, PC, and other video output ports, you can select one of them and connect to the corresponding input ports of the TV set. After connection, turn on the device and press the [SOURCE] key, then the menu of the signal source will be displayed on the screen. Press the [◀]/[▶] key to select the input signal, and press the [OK] key to confirm.

Menu operation description

Press the [!] key to show the main menu on the screen:

1. Press [.&]/[T] key to select a menu from Channel, Picture, Sound, Network, System, Lock, Timer, Support.
2. Press [OK]/[▶] key to enter the submenu.
3. Press [.&]/[T] key to select an item in the menu.
4. Press [OK] key to confirm.
5. Press [◀]/[▶] key or [.&]/[T] key to adjust the value or setting.
6. Press [:)]/[!] key to return to the previous menu when the TV displays the submenu.
7. During menu operation, the icons of invalid options will change into grey.

Note: The default password for the lock system is 0000.

Smart TV

Press key to show the home page.

1. Press the [◀]/[▶] key to select an application;
2. Press the [OK] key to run the application;
3. Press [:)] key to return to the previous page;
4. Press [B] key to exit the smart mode. Note: Before accessing the Internet, please connect your TV set to the Internet. Refer to "Network Settings" for details.

OSD Language setting

Press the [!] key, select System > Language, and press the [OK] key to enter. Press [.&]/[T] key to select the desired language, and then press the [OK] key.

Program scanning

Tune the programs before watching the TV for the first time. Before scanning, please make sure that the antenna has been connected properly.

Auto-Search

Press the window key, Select Channel > Auto Tuning, Press the [OK] key, then set up the Tune Type and Country according to actual needs. Select Search and press the [OK] key, then the machine starts auto search. Press [.] key, then select YES in the popup window and press [OK] to skip the current search and start the next search. Press the [B] key, then select YES in the popup window and press [OK] to exit the search. Select NO and press [OK] key to continue.

DTV Manual Search

Press [!] key, Select Channel> DTV Manual Tuning, and Press [OK] key to enter DTV Manual Tuning menu. Press [◀]/[▶] key to select channel, then press [.&]/[T] key to select Search and press [OK] key to confirm. ATV Manual Tuning {In ATV signal source}

Press [!] key, Select Channel> ATV Manual Tuning, Press [OK] key to enter ATV Manual Tuning menu, Press [.&]/[T] key to select Current CH, and then press [◀]/[▶] key to select which you wish, then select Search and press [◀]/[▶] key to search.

REC option

In DTV mode, Press Record [•] key, then the system begins recording. Press [■]/[REC LIST] key to stop and quit recording.

Press the [■]/[REC UST] key to display the record files and play them. While playing, press [▶](play)/[11/T-SHIFT]/memorizer with the FAT32 file system. Memorizers with other file systems need to be formatted; Before formatting memorizers, back-up useful data because the content of memorizers can not recover after formatting.

Timeshift option

When user leaves the program for a short time, the timeshift function can suspend and cache the playing program to the U disk. When the user resumes playing, the program can continue to be played.

In DTV mode, Press the [11/T-SHIFT] key, Time Shift option menu shows on the screen and the program is in a suspended state. Press [▶](play) key to resume play program. Press [■]/[REC LIST] key to stop and quit the time-shift. While playing, press [▶](play)/[11 IT-SHIFT]/[REC LIST] key to handle.

APP

Press [A] key, then press the [◀]/[▶] key to select an application and press the [OK] key to enter. As to Youtube, prime video and Netflix, you can press the [YouTube], [prime video] and [NETFLIX] keys to use them. In the standby mode, you can turn on the TV and use Netflix by pressing the [NETFLIX] key on the remote control.

Network settings

• wi-Fi

- Press the key, then select Network > Connection Type > Wifi and press the [OK] key, then the wireless network signals searched by your machine list automatically. The network searched without 'i'- icon indicates that the machine connects to the network without a password. The network with 'i'- icon indicates that it is encrypted and you must enter the correct password to connect to the network.
- Select the network you want to connect to in the network list, and press [OK] key;
- Type network connecting password in the box and exit the keyboard, then select Connect and press the [OK] key to connect to the network.

• Ethernet

- Press the key, then select Network > Connection Type > Wired and your machine will connect to the Network automatically;
- You can also set 1Pv4 as Manual, then press [.&]/[T] key to select IP, Subnet mask, Gateway, DNS and set them. Finally, select Connect and press [OK] key, then your machine will connect to the Network.

WOW

WOW allows remote systems to wake up the sleeping TV by sending a frame of a specific format that the client anticipates. (It is available when Wi-Fi is connected.)

Press key, then select System > WOW, and press the [OK] key to enter. Press [.&./[T] key to set it as “On” or “Off”, and press [OK] key to confirm.

Important statement on network services

All contents and services obtained from this TV set belong to the third party and are protected by laws on copyright, patent right, trademark right and/or other

Third-party service may be changed, deleted or stopped without prior notice. Our company neither implies nor guarantees the continuous availability of some service or content within any period of time. Our company is not held responsible for services related to the said service and content. Besides, we will not bear any liability for client service. Please directly contact relevant content and service providers if you have any problems or service request concerning relevant services or content.

Multimedia player

Press [A] key, then press [◀]/[▶] key to select Media and press the [OK] key to enter. Select the file type from Video, Photo, Music, Files.

Playing Files in local disk device

Before playing files in the local disk, insert the USB mass storage device into the USB interface.

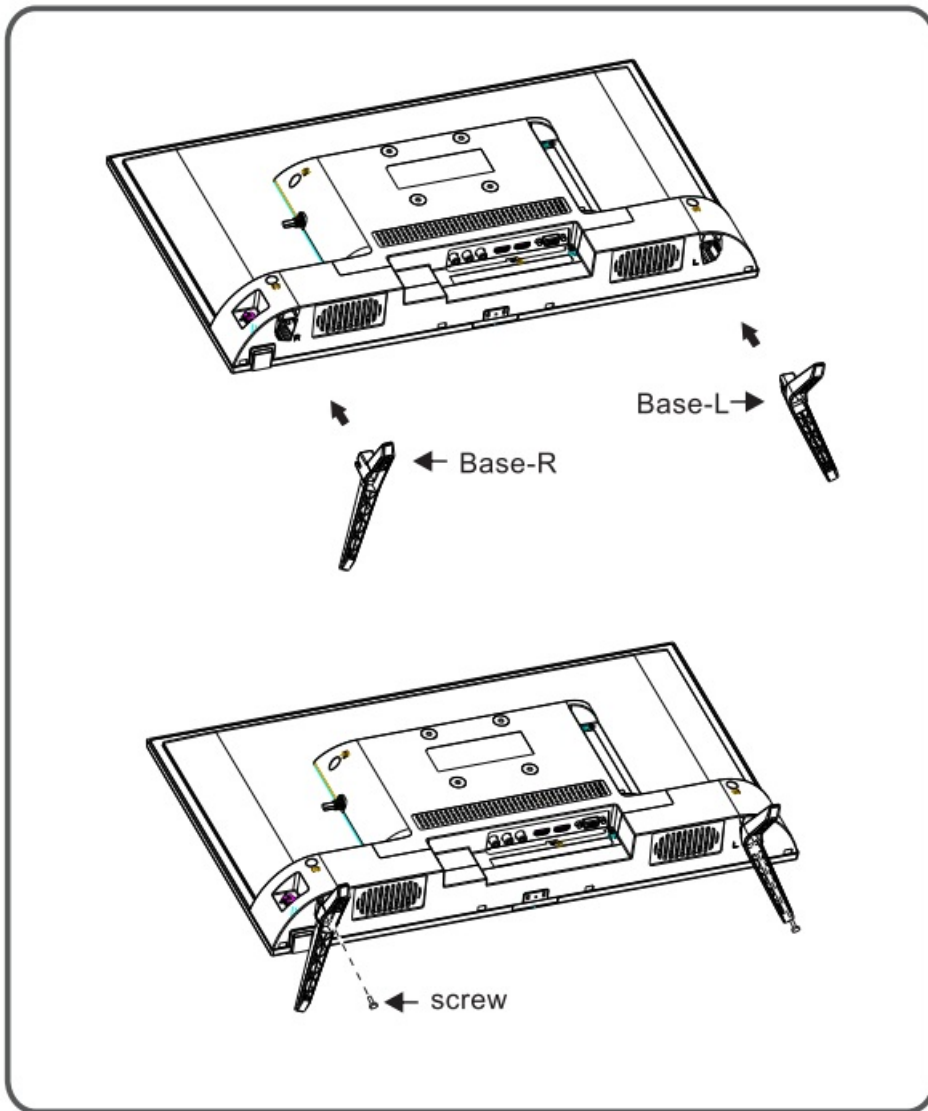
Select local disk device in the file directory and press [OK] key to enter. Select the target folder and press [OK] key to enter the folder. Then press [.&./[T]]/[▶] to select the target file and press [▶](play) to play it. Press [:>] key to return to previous page.

Attention

1. Nonstandard USB devices can't be recognized probably; in this case, please replace a standard USB device;
2. The stream media system has certain restriction on the format of files; the playing will be abnormal if it is out of the system restriction;
3. Do not remove the USB device while playing, or else the system or device may have problem; Before replace the USB device, please turn off the machine's power supply;
4. The system supports standard USB1 .1 and USB2.0 devices, such as USB mass storage devices and removable hard disks;
5. The maximum output current of the USB port of this device is 500mA, and the self-protection will be enabled if it is beyond this limit; please use external power supply if an external device of higher current will be connected;

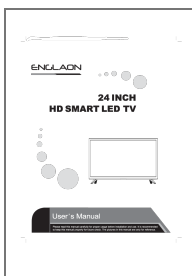
Base Installation Instructions

Put the machine flat first, distinguish left and right base and base installation front and back direction, then install the bases in the bottom of the machine back cover as arrow direction in figure. Align screw holes, then fasten screws (notice that base module has to be adjusted at figure status, otherwise it cannot be installed in.)



Remark: The actual base and machine appearance may be different from pictures; please refer to the actual device.

Documents / Resources



[ENGLAON LED24M10 24 inch HD Smart LED 12V TV](#) [pdf] User Manual
LED24M10, 24 inch HD Smart LED 12V TV, HD Smart LED 12V TV, LED 12V TV, LED24M10, 12V TV