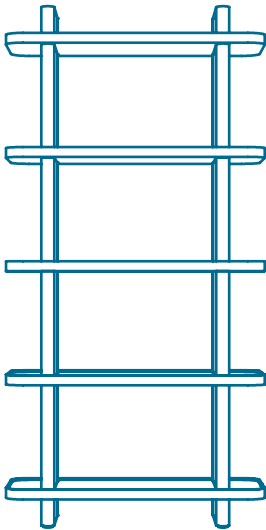


Click the button
to watch the
assembly video



**TALL & NARROW
KIRRIBILLI BOOKSHELF**

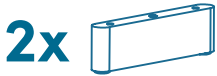
Ko'ava

Click the button
to watch the
assembly video



What's in the box*:

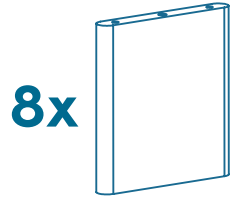
*Not to scale



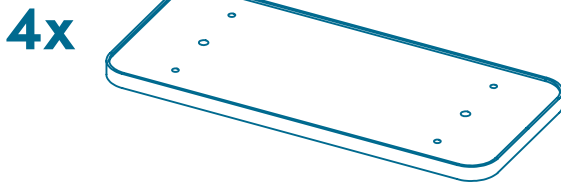
bottom upright panel



top upright panel



shelf upright panel



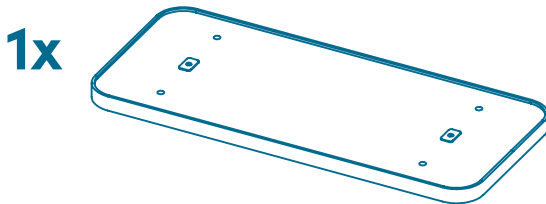
SHELF



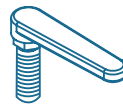
rod



dowel



top shelf



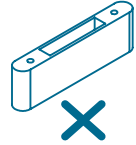
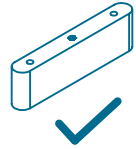
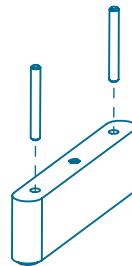
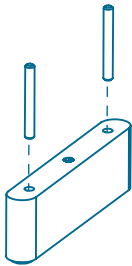
lever bolt



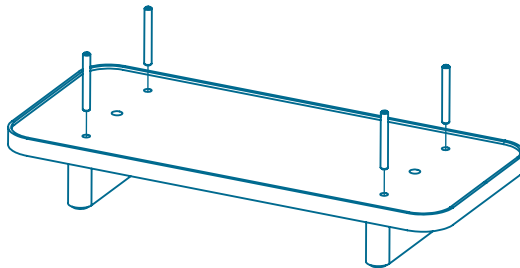
wall mount
lanyard

1. place dowels into bottom upright panels

Click the button to watch the assembly video



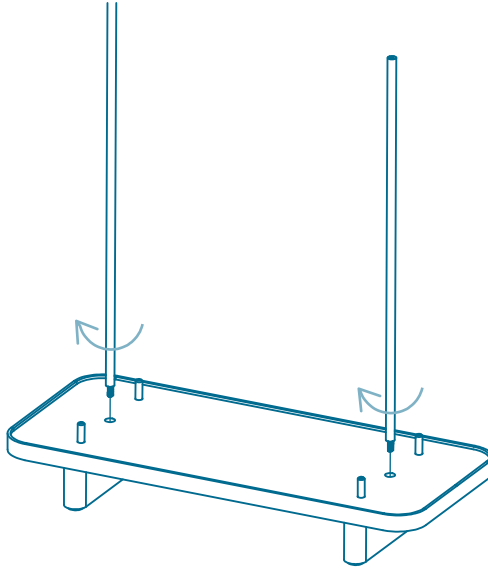
2. place shelf onto bottom upright panels using dowels to align



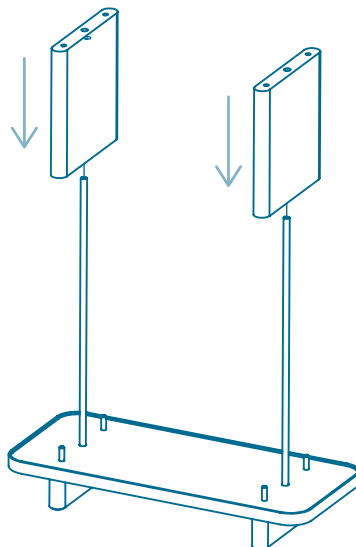
NOTE - Make sure lip is facing up.

3. screw in rods to bottom upright panels

Click the button
to watch the
assembly video

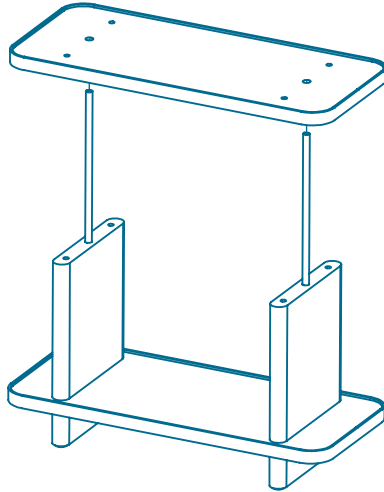


4. slide shelf upright panels over rods onto bottom shelf



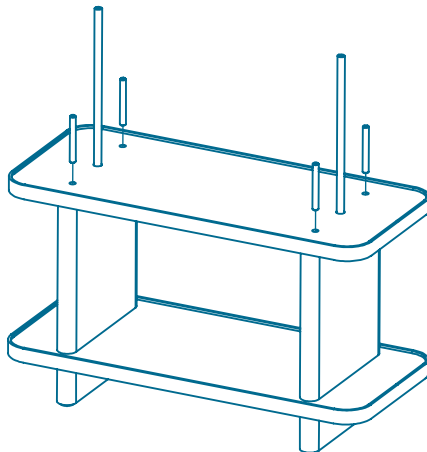
5. slide next shelf onto shelf uprights over rods

Click the button
to watch the
assembly video



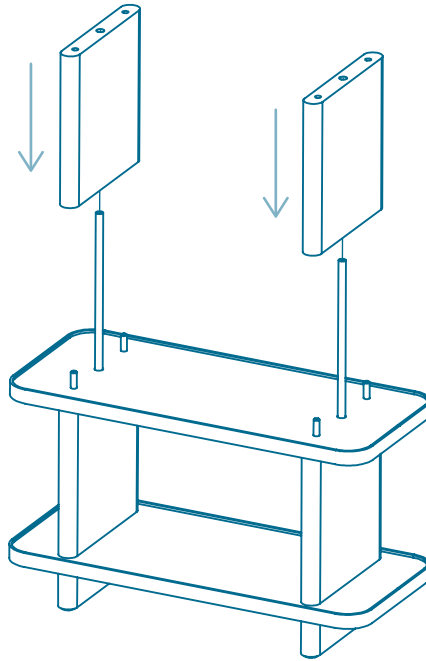
NOTE - Make sure lip is facing up.

6. place dowels into shelf holes making sure they go through into the shelf upright panels below

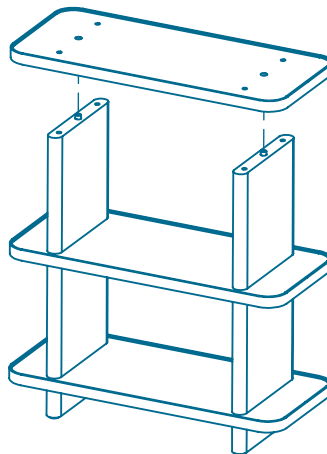


7. slide next shelf upright panels over rods onto shelf

Click the button
to watch the
assembly video



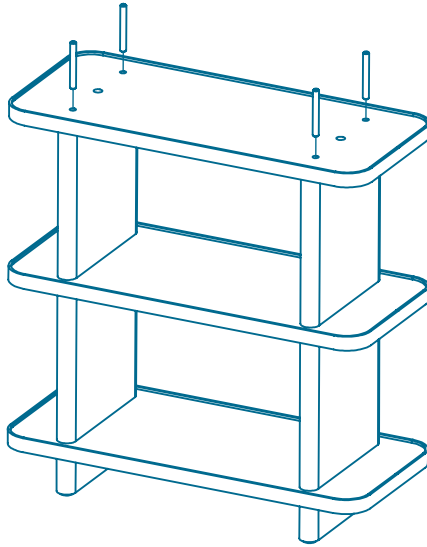
8.



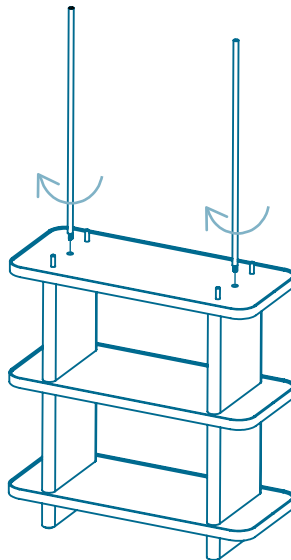
NOTE - Make sure lip is facing up.

9. place dowels into shelf holes making sure they go into the shelf upright panels below

Click the button to watch the assembly video



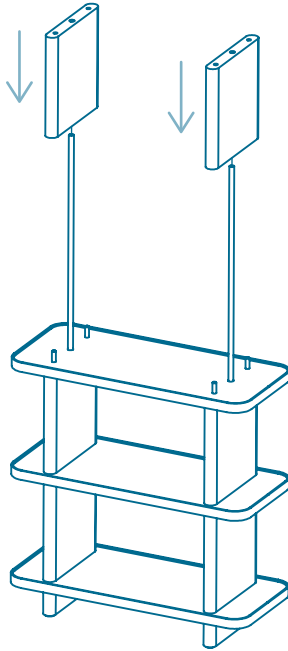
10. screw in the remaining rods into the lower rods



11.

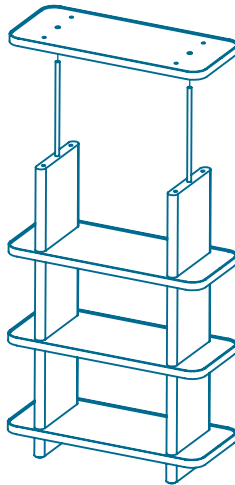
slide next shelf upright panels over rods onto shelf

Click the button to watch the assembly video



12.

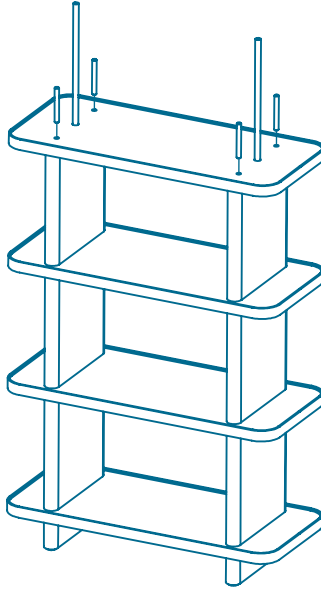
slide next shelf onto shelf uprights over rods



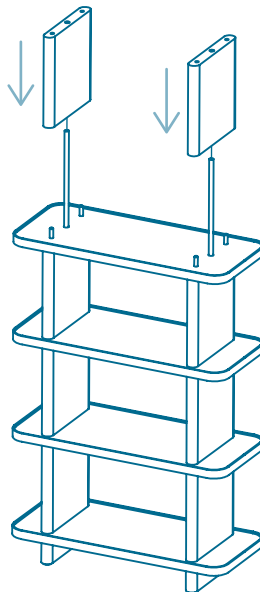
NOTE - Make sure lip is facing up.

13. place dowels into shelf holes making sure they go through into the shelf upright panels below

Click the button
to watch the
assembly video

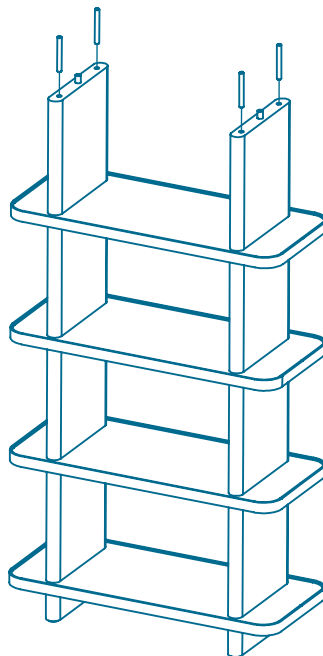


14. slide next shelf upright panels over rods onto shelf

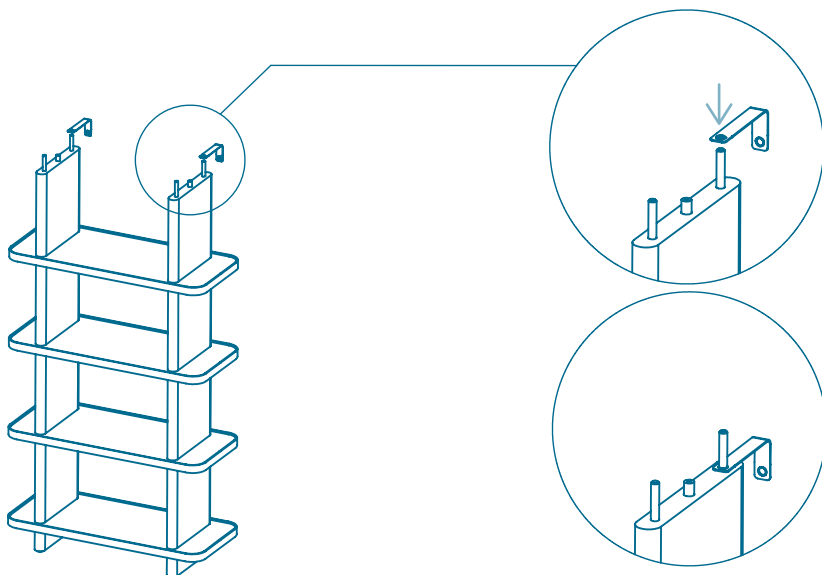


15. place dowels into the shelf upright panel holes

Click the button
to watch the
assembly video



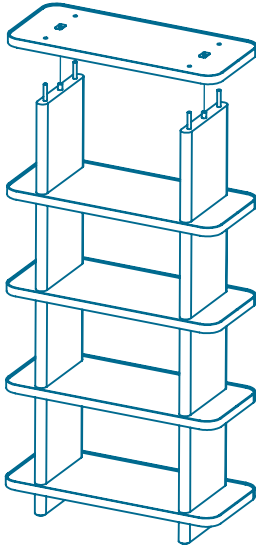
16. install the wall mounting lanyards by threading the eyelet through the dowel



17.

slide final shelf onto shelf uprights over rods

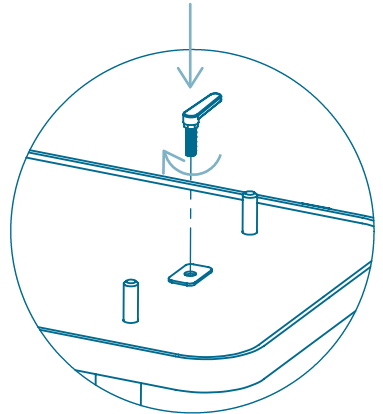
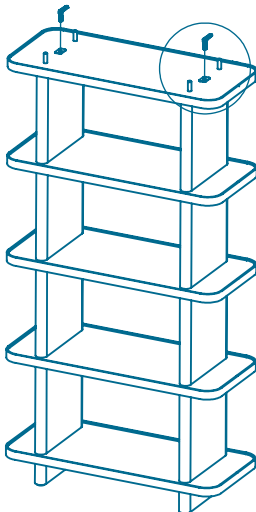
Click the button
to watch the
assembly video



NOTE - Make sure lip is facing up.

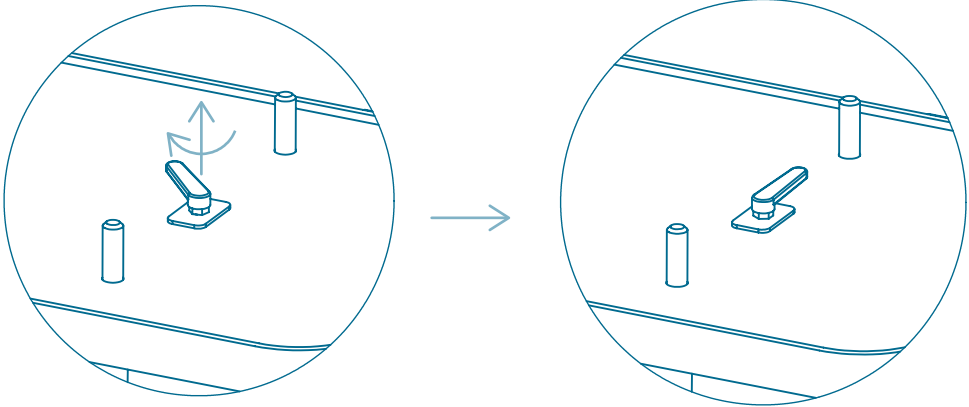
18.

screw lever bolts into the top of the rods

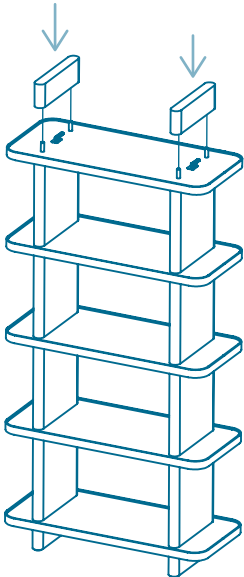


19. once both lever bolts are tightened, lift and rotate the lever so that it is pointing at a dowel

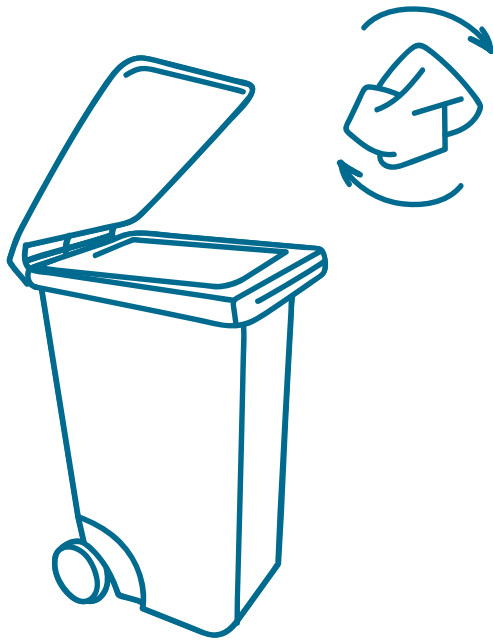
Click the button to watch the assembly video



20. lower the top upright panels onto the top shelf using the dowels to locate



Click the button
to watch the
assembly video



don't forget to recycle.

koala