

Operating instructions

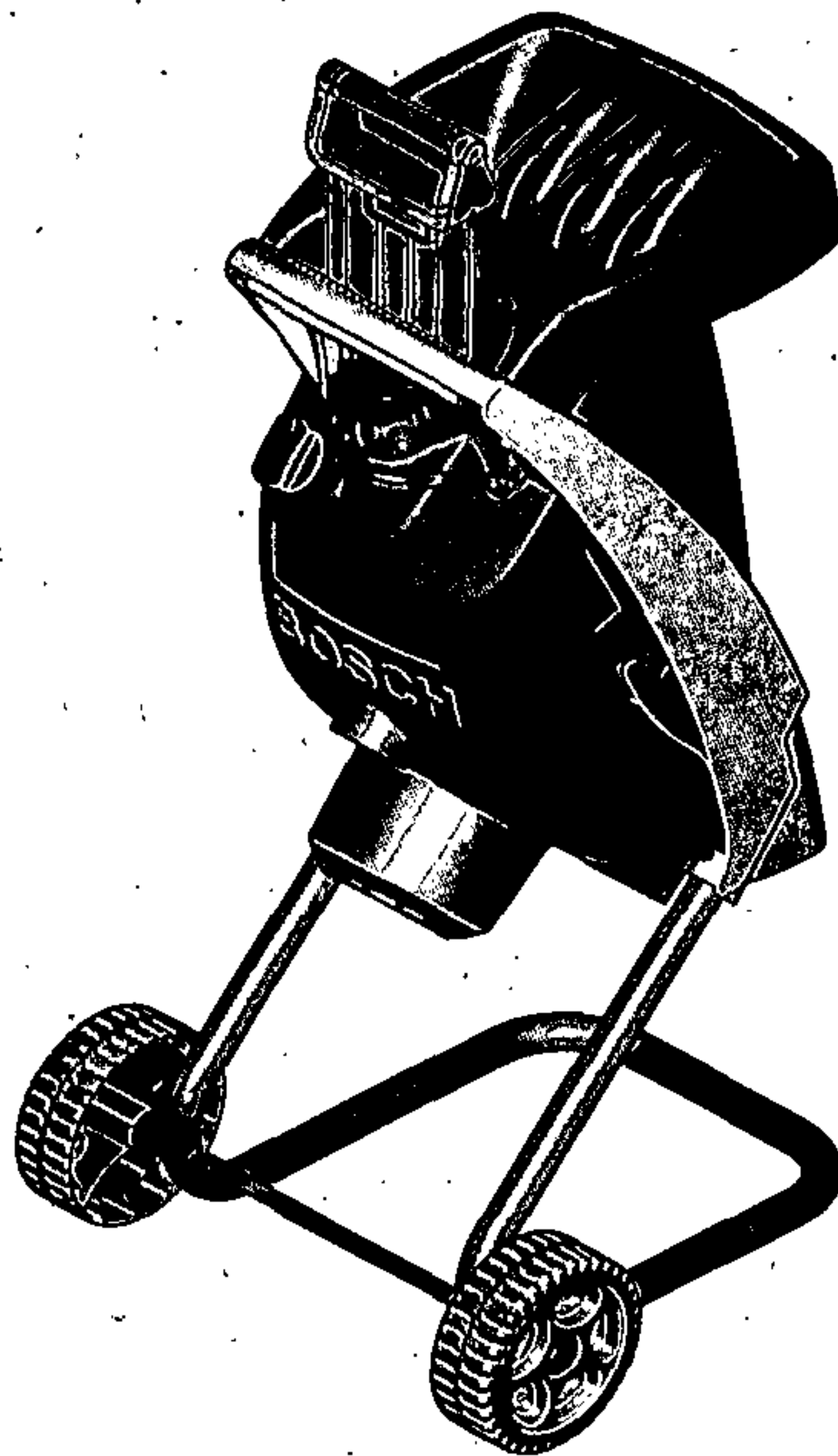


**BOSCH**

9 8460

# **AXT Rapid 2000**

# **AXT Rapid 2200**

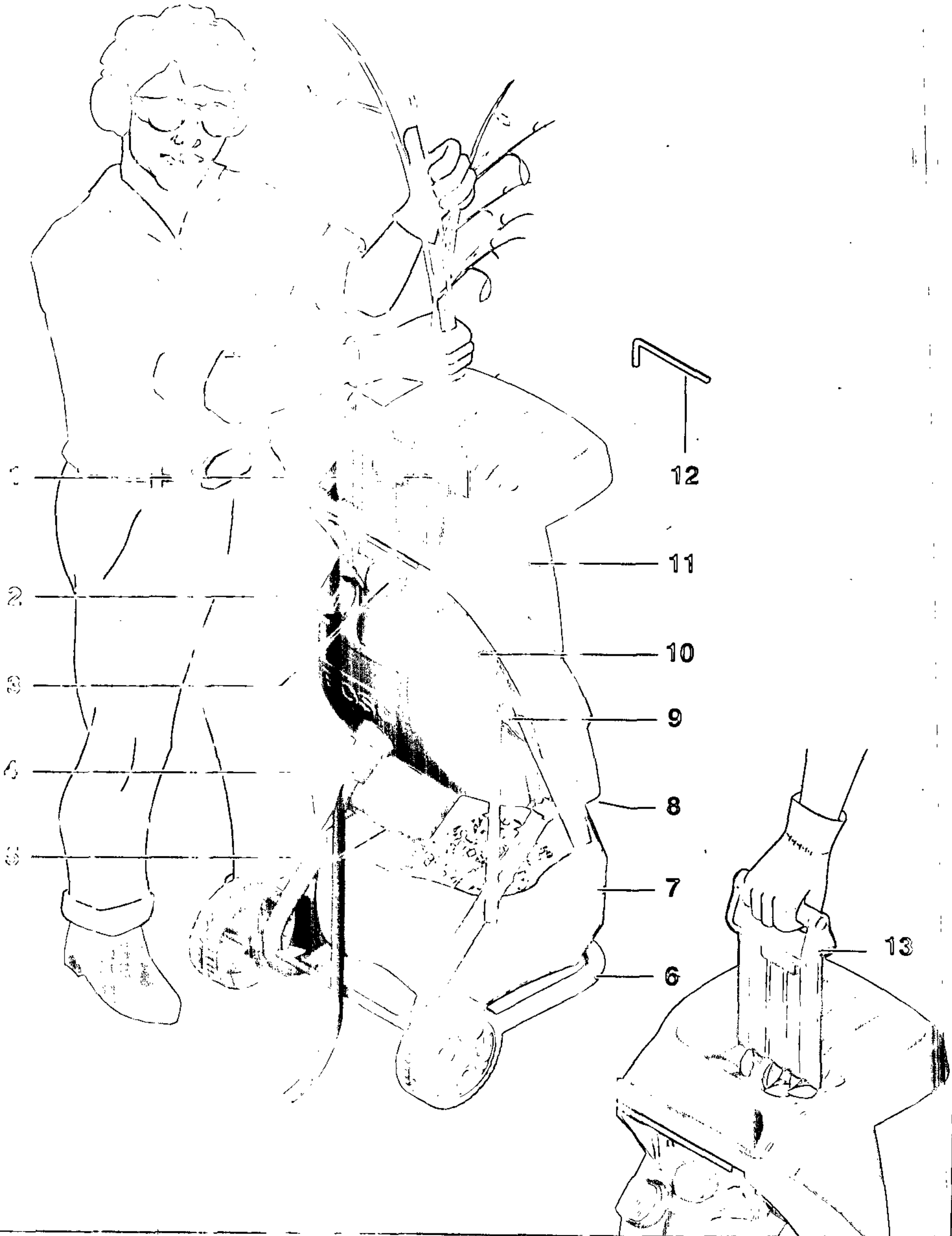


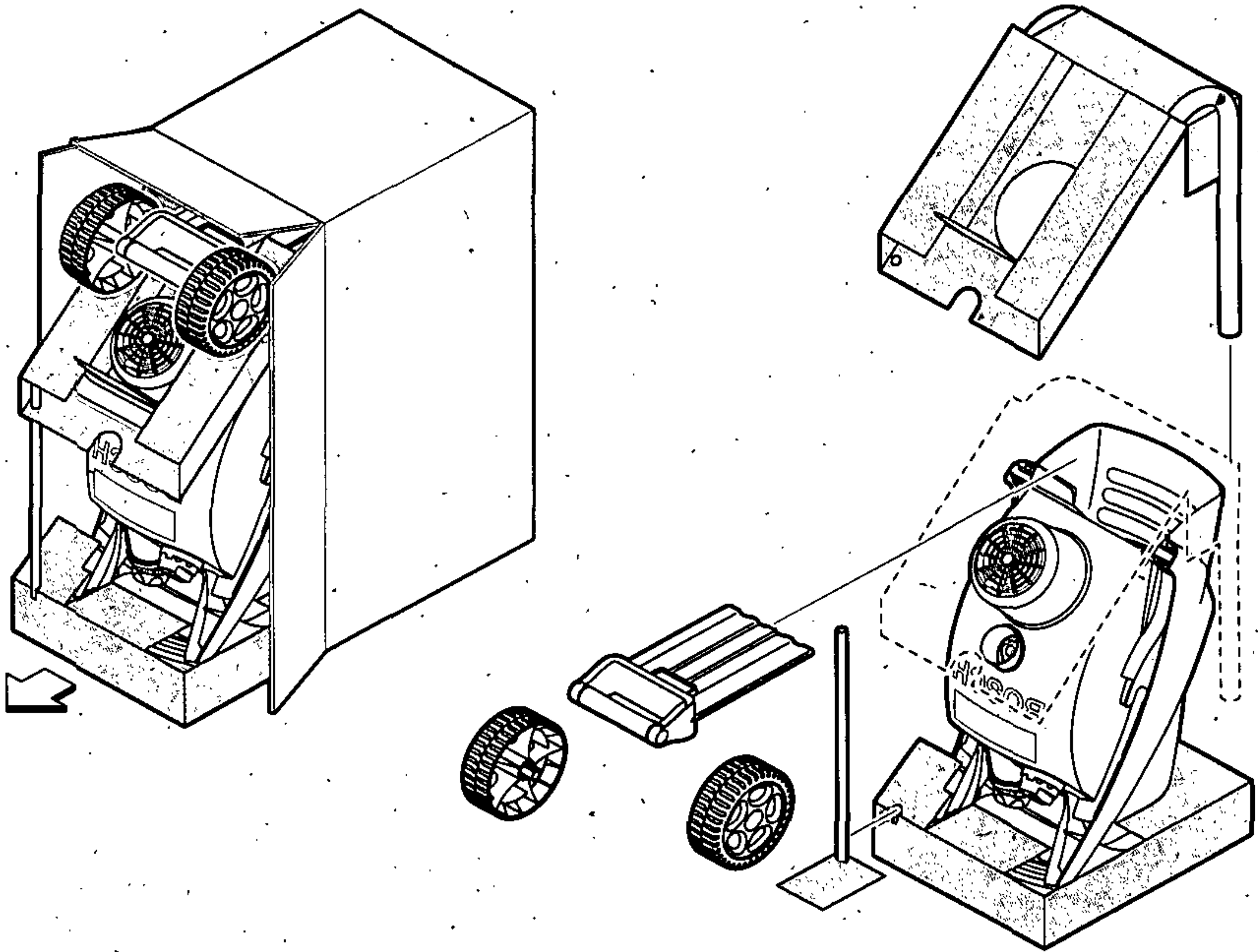
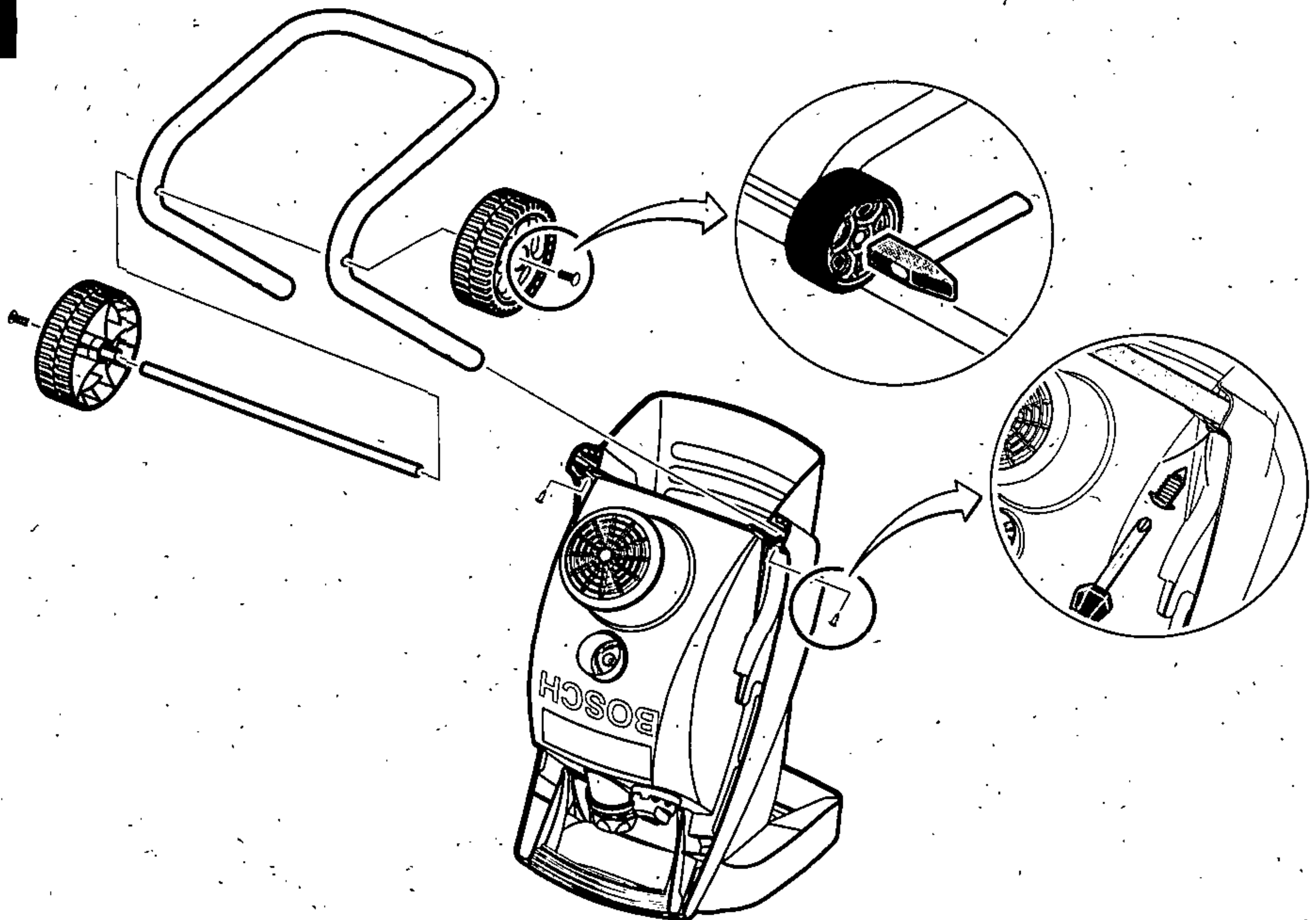
English



CE S 3L XX PX4 XXXX  
TYP 0600 .00x 00x 579 230V - 50 CH  
Made in Hungary / Robert Bosch GmbH, D-70744

10



**A****B**

# Fault Finding

The following table gives checks and actions that you can perform if your machine does not operate correctly. If these do not identify/remedy the problem, contact your service agent.

**Warning: Switch off and remove plug from mains before investigating fault.**

Symptom	Possible Cause	Remedy
Machine fails to operate	<p>Switch fails to operate</p> <p>Securing knob 3 has not been fully tightened</p> <p>Power turned off</p> <p>Mains socket faulty</p> <p>Extension cable damaged</p> <p>Fuse faulty/blown</p> <p>Motor protector has activated</p> <p>Power supply interrupted</p> <p>On/Off switch 2 returns to position "0"</p>	<p>Follow "Restart Protection" procedure (Starting and Stopping) Do not push On/Off switch 2 while it is being rotated</p> <p>Tighten securing knob 3</p> <p>Turn power on</p> <p>Use another socket</p> <p>Inspect cable, replace if damaged</p> <p>Replace fuse/restart</p> <p>Follow "Overload Protection" procedure (Starting and Stopping)</p> <p>Follow "Overload Protection" procedure (Starting and Stopping)</p> <p>Allow machine to cool then follow "Overload Protection" procedure (Starting and Stopping)</p>
Machine functions intermittently	<p>Extension cable damaged</p> <p>Machines internal wiring damaged</p> <p>Motor protector has activated</p> <p>On/Off switch 2 returns to position "0"</p>	<p>Inspect cable, replace if damaged</p> <p>Contact Service Agent</p> <p>Follow "Overload Protection" procedure (Starting and Stopping)</p> <p>Allow machine to cool then follow "Overload Protection" procedure (Starting and Stopping)</p>
Poor cutting performance	<p>Cutting blade blunt</p> <p>Cutting blade dirty</p> <p>Feed intake or discharge chute blocked</p>	<p>Replace blade (see "Blade Maintenance")</p> <p>Remove blade and clean (see "Blade Maintenance")</p> <p>Clean machine (see "Removing Blockage") and empty collecting bag</p>
Cutting blade not rotating	<p>Cutting blade obstructed</p> <p>Blade nut/bolt loose</p>	<p>Clear obstruction (see "Removing blockage")</p> <p>Tighten blade nut/bolt</p>
Excessive vibration/noise	<p>Blade nut/bolt loose</p> <p>Cutting blade damaged</p> <p>Machine damaged internally</p>	<p>Tighten blade nut/bolt</p> <p>Replace blade</p> <p>Contact Service Agent</p>

## Disposal

Product, accessories and packaging should be sorted for environmental-friendly recycling.

### Only for EC countries:



Do not dispose of the product into household waste!

According to the European Directive 2002/96/EC on waste electrical and electronic equipment and its incorporation into national law, products that

are no longer suitable for use must be separately collected and sent for recovery in an environmentally-friendly manner.

## Service

Exploded views and information on spare parts can be found under:

[www.bosch-pt.com](http://www.bosch-pt.com)

### Great Britain

Robert Bosch Ltd. (B.S.C.)  
P.O. Box 98  
Broadwater Park  
North Orbital Road  
Denham-Uxbridge  
Middlesex UB 9 5HJ

☎ Service ..... +44 (0) 18 95 / 83 87 82  
Fax Service ..... +44 (0) 18 95 / 83 87 89  
☎ Advice line ..... +44 (0) 18 95 / 83 87 91  
Fax Advice ..... +44 (0) 18 95 / 83 87 93

### Ireland

Beaver Distribution Ltd.  
Greenhills Road  
Tallaght-Dublin 24

☎ Service ..... +353 (0)1 / 45 15 211  
Fax ..... +353 (0)1 / 45 17 127

### Malaysia

Robert Bosch (SEA.) Pte. Ltd.  
No. 8a, Jalan 13/6  
Selangor Darul Ehsan  
Petaling Jaya 46200  
Malaysia

☎ ..... +60 3 79 58 30 00  
Fax (EW Dept.) ..... +60 3 79 58 38 38

[www.bosch.com.sg](http://www.bosch.com.sg)

### Australia

Robert Bosch Australia Ltd.  
RBAU/SPT2  
1555 Centre Road  
P.O. Box 66 Clayton  
3168 Clayton/Victoria

☎ ..... +61 (0)1 / 800 804 777

Fax ..... +61 (0)1 / 800 819 520

[www.bosch.com.au](http://www.bosch.com.au)

E-Mail: [CustomerSupportSPT@au.bosch.com](mailto:CustomerSupportSPT@au.bosch.com)

### New Zealand

Robert Bosch Limited  
14-16 Constellation Drive  
Mairangi Bay  
Auckland  
New Zealand

☎ ..... +64 (0)9 / 47 86 158

Fax ..... +64 (0)9 / 47 82 914

## Declaration of Conformity

Measured values determined according to 2000/14/EC (1.60 m height, 1 m distance away).

### AXT Rapid 2000:

Typically the A-weighted noise level of the product is: sound pressure level 89 dB (A); sound power level 103 dB (A).

2000/14/EC: The guaranteed sound power level  $L_{WA}$  is lower than 106 dB (A). Conformity assessment procedure according to Annex V.

### AXT Rapid 2200:

Typically the A-weighted noise level of the product is: sound pressure level 90 dB (A); sound power level 103 dB (A).

2000/14/EC: The guaranteed sound power level  $L_{WA}$  is lower than 107 dB (A). Conformity assessment procedure according to Annex V.

We declare under our sole responsibility, that this product is in conformity with the following standards or standardization documents: EN 60 335, prEN 13 683 according to the provisions of the directives 89/336/EEC, 98/37/EC, 2000/14/EC.

Dr. Egbert Schneider  
Senior Vice President  
Engineering

Dr. Eckerhard Strötgen  
Head of Product  
Certification

Robert Bosch GmbH, Power Tools Division

Subject to change without notice

Products sold in GB only: Your machine is fitted with an approved 13 A (BS 1363/A) electric plug and is protected by a 13 A fuse (ASTA Approved to BS 1362).


If the fitted plug is not suitable for your socket outlets, it should be cut off and an appropriate plug fitted in its place.

The severed plug must be disposed of to avoid a possible shock hazard and should never be inserted into a 13 A socket elsewhere.

## Assembly

- A** Remove the machine from the package.
- B** Mount the wheels and the undercarriage.
- E** Fit the Allen key 12 as shown.

## Starting and Stopping

-  The blade continues to rotate for a few seconds after the machine is switched off. Allow the motor/blade to stop rotating before switching "on" again. Do not rapidly switch off and on.

### Starting:

To start your Shredder, rotate the On/Off switch 2 from position "0" to position "II". Allow machine to start and release switch, which will return to position "I" (the normal run position).

**Important note:** The machine will not start if the On/Off switch 2 is pushed in slightly, whilst being rotated.

As a safety feature the machine will not start unless the hopper securing knob 3 is fully tightened.

### Stopping:

Rotate the On/Off switch 2 to position "0".

**Note:** The blade will stop automatically before the cover 11 can be removed.

### Emergency Stop:

Press the On/Off switch 2.

### Restart Protection

After a mains failure, or if the product cuts out due to overloads, the machine cannot restart on its own when the power returns or when protector resets.

### To restart the machine:

Set the On/Off switch 2 to "0".



Rotate the On/Off switch 2 to position "II", allow the machine to start and release the switch. It will now move to position "I" (the normal run position).

**Important note:** The machine will not start if the On/Off switch 2 is pushed in slightly, whilst being rotated.

### Overload Protection

Overloading (e. g. blocking up of the cutter) can lead to a standstill of the machine after a few seconds. After a short period, the machine can be switched on again. If the machine blocks again turn it off.

Remove blockage (see "Removing blockage"), and restart.

## Shredding

In order to collect the chopped material fasten the carrying straps of the collecting bag 7 (accessory) to the two hooks 9 while the shredder is switched off.

Feed the material to be chopped through the feed intake.



Longer material standing out from the machine could lash out when being cut! Small pieces of shredded material may be ejected from the feed intake. Ensure eye protection, protective gloves and ear protection are used when using the machine.

Only insert as much material so that the feed intake 1 will not be blocked up.

Do not fill soft waste such as kitchen rubbish into the shredder but compost directly.

Take care that the chopped material can fall freely from the discharge chute 8 – danger of backing up!

The ventilation slots 5 must not be covered by the collecting bag or the chopped material.

Avoid blocking the discharge chute 8 with shredded material as this could result in kickback of material through the feed intake opening.

## Removing Blockage



Stop and remove plug from the power supply.

After fully unscrewing the securing knob 3, remove cover 11 and clean the blade area. If debris is compacted in the blade area, remove with a wooden or plastic implement. Also clean the discharge chute 8 of any debris.

## Advice on Shredding

Branches become harder to shred depending on the type, age and dryness of the wood.

For best results, shred fresh branches soon after they have been cut.

The use of the prodder **13** will help with the feeding of soft material.

Soft garden waste should be shredded in smaller loads, particularly when wet.

Any blockages can be avoided by intermittently shredding branches.

## Maintenance

 **Stop and remove plug from the power supply.**

Note: To ensure long and reliable service, carry out the following maintenance regularly.

Regularly check for obvious defects such as loose, dislodged or damaged blade, loose fixings, and worn or damaged components.

Check that covers and guards are undamaged and correctly fitted. Carry out necessary maintenance or repairs before using.

If the machine should happen to fail despite the care taken in manufacture and testing, repair should be carried out by an authorised customer service agent for Bosch garden products.

For all correspondence and spare parts orders, always include the 10-digit part number (TYP) from the nameplate of the machine!

## E Blade Maintenance

 **Stop and remove plug from the power supply.**

The blade has a double sided cutting edge.

When the cutting edges become blunt, the blade can be turned over. When both sides are blunt replace the blade.

Use the following procedure to remove, turnover or replace the blade:

- 1 Unscrew securing knob **3**.
- 2 Remove cover **11** as shown in fig. **E**.

Wearing a pair of garden gloves (not supplied) turn the blade **13** so that it aligns with the markings on the reaction plate **17**.

- 3 Insert a screw driver into the hole **14** to lock the drive.
- 4 Use the allen key **12** to remove the blade bolt **16**, and the blade washer **15**.

- 5 Remove the blade **13** by lifting and sliding downwards as shown in fig. **E**

Fit the blade, blade washer and the blade bolt.

Only use a Bosch approved blade bolt.

Tighten the bolt firmly (tightening torque 12 Nm).

Ensure that the allen key **12** and screw driver are removed, also ensure that the cover **11** and securing knob **3** are fitted before attempting to turn the machine on.

## Accessories

Blade.....	F 016 800 276
Collection bag .....	2 605 411 073
Gloves.....	2 607 000 134
Protective goggles .....	2 607 990 041
Lubricant spray .....	1 609 200 399

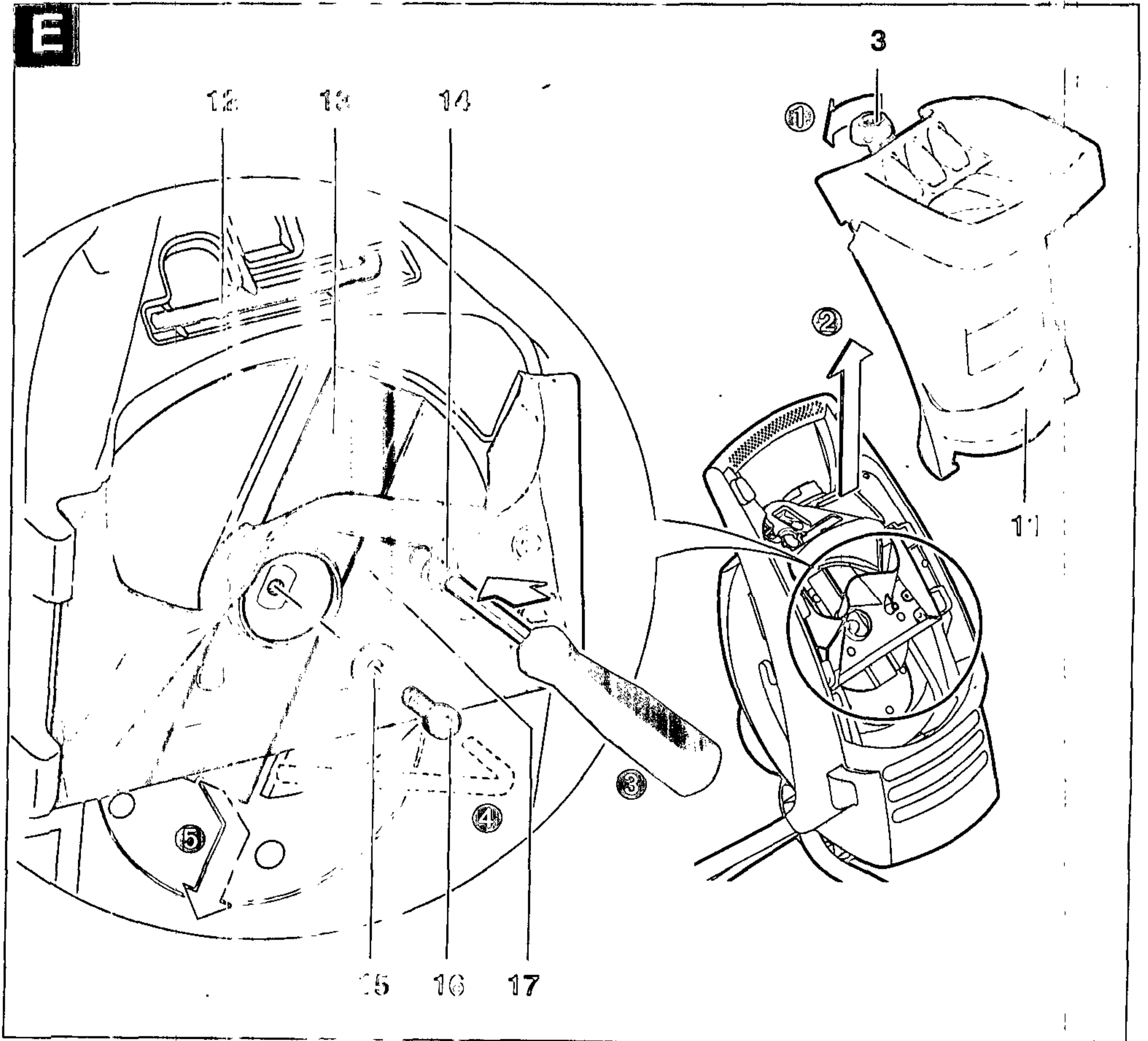
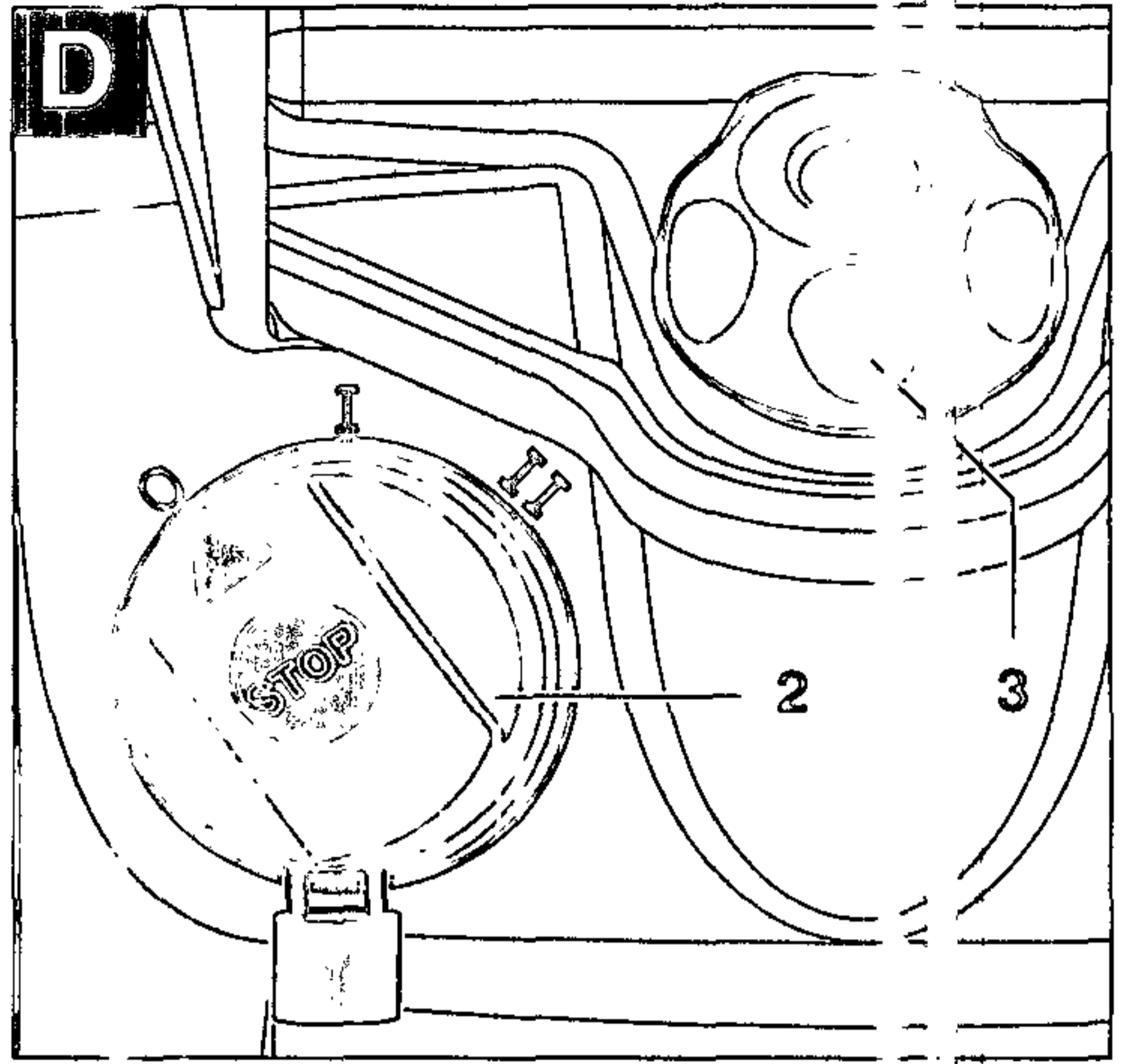
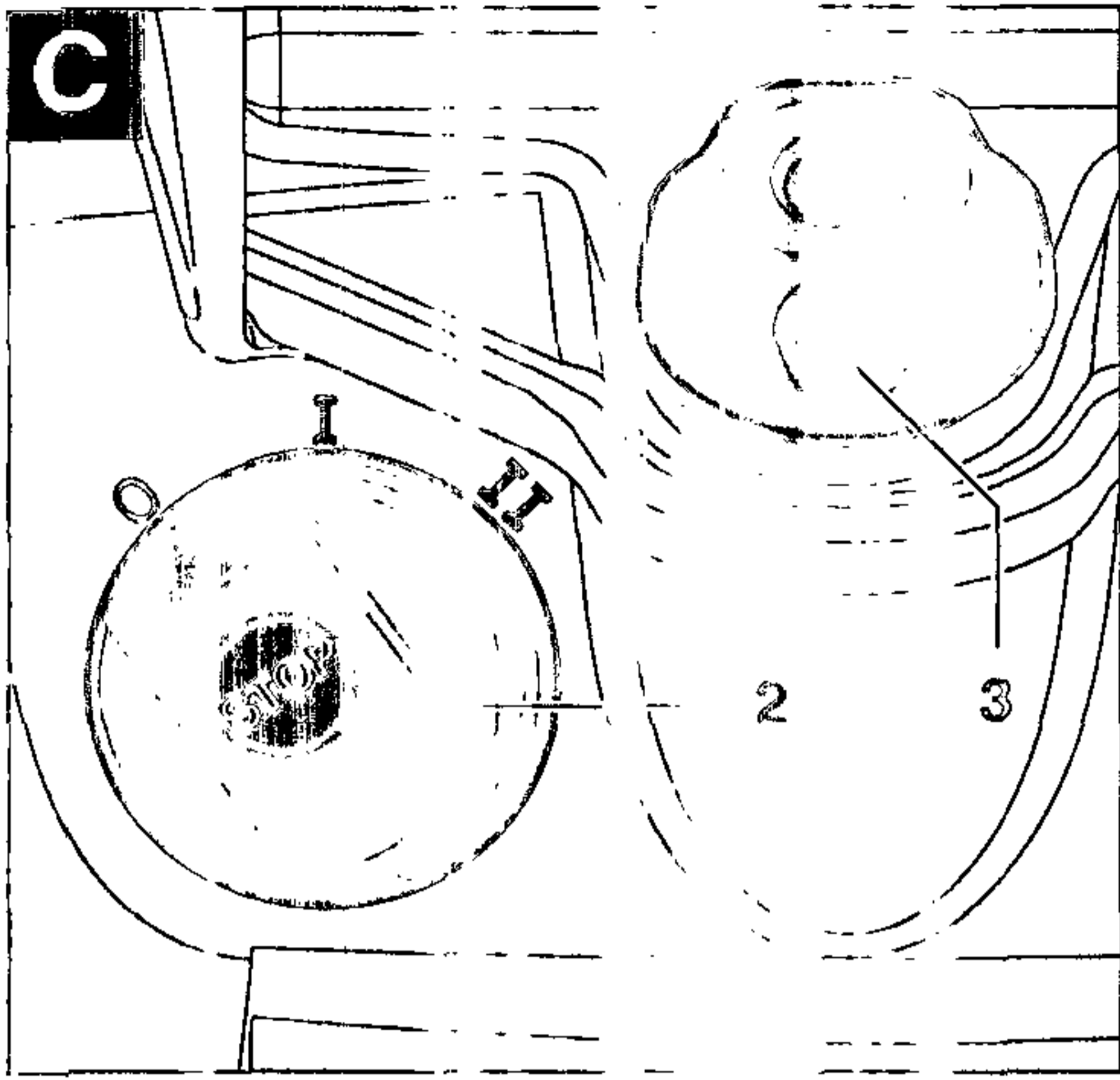
## After Shredding/Storage

 **Stop and remove plug from the power supply.**

Clean the exterior of the machine thoroughly using a soft brush and cloth. Do not use water, solvents or polishes. Remove all debris, especially from the ventilation slots **5**.

Store the machine in a dry place. Do not place other objects on top of the machine.

For additional security the switch can be padlocked (padlock not supplied) as shown in fig. **D**.





## Product Specification

### Shredder

		AXT Rapid 2000	AXT Rapid 2200
Part number (TYP)		3 600 H53 5..	3 600 H53 6..
Rated power, S 6 (4/6 min) <sup>1)</sup>	[W]	2000	2200
Rated power, S1	[W]	1800	2000
No-load speed	[rpm]	3650	3650
Capacity max. <sup>2)</sup>	[kg/h]	80	90
Branch diameter max. <sup>2)</sup>	[mm]	35	40
Weight, approx.	[kg]	11.5	12
Protection class		□ / II	□ / II
Serial Number	See serial.No 10 (rating plate) on machine.		

<sup>1)</sup> The S 6 operating mode (40 %) indicates a load profile of 4 min load and 6 min idle time. For practical application, continuous operation is permitted.

<sup>2)</sup> depending on the hardness of the wood.

## Operating Controls

- 1 Feed intake
- 2 On/Off switch
- 3 Securing knob
- 4 Mains plug\*\*
- 5 Ventilation slots
- 6 Undercarriage
- 7 Collection bag \*
- 8 Discharge chute
- 9 Hooks for collecting bag
- 10 Serial Number
- 11 Cover
- 12 Allen Key
- 13 Prodder

\*Optional accessory

\*\*Country specific

\*Not all of the accessories illustrated or described are included as standard delivery.

## Intended Use

The product is intended for cutting of fibrous and woody garden waste for composting.

When operating the machine with a generator, a unit with a power rating of 4 kVA is necessary.



## For Your Safety

**Warning! Switch off, remove plug from mains before adjusting, cleaning or if cable is cut, damaged or entangled.**

**The blades continue to rotate for a few seconds after the machine is switched off.**

**Caution – do not touch rotating blades.**

### Electrical Safety

Your machine is double insulated for safety and requires no earth connection. The operating voltage is 230 V AC, 50 Hz (for non-EU countries 220 V, 240 V as applicable). Only use approved extension cables. Contact your service agent for details.

Extension cords/leads should only be used if they comply with H05VV-F or H05RN-F types.

If you want to use an extension cable when operating your product, only the following cable dimensions should be used:

- 1.0 mm<sup>2</sup>: max length 40 m
- 1.5 mm<sup>2</sup>: max length 60 m
- 2.5 mm<sup>2</sup>: max length 100 m.

It is recommended for increased electrical safety to use a Residual Current Device (RCD) with a tripping current of not more than 30 mA. Always check your RCD every time you use it.

The couplings of connection leads must be protected against splashes and the coupling sockets on the leads must be made of rubber or coated with rubber.

Fixing means for the connection leads must be used.

The connection lead must be inspected for signs of damage at regular intervals and may only be used if in perfect condition.

If the supply cord is damaged, it must be replaced by a Bosch Service Centre.



## Safety Notes



**Warning: Read these instructions carefully, be familiar with the controls and proper use of the machine. Please keep the instructions safe for later use. Before using for the first time, ask for a practical demonstration.**

Read instruction manual.



**Danger – rotating blades, keep hands and feet out of openings while the machine is running.**



**Before handling the cutter, switch off and remove the plug from the mains supply. If the cable is damaged or cut through while working, do not touch the cable but immediately remove the plug from the mains supply. Never use the machine with a damaged cable.**



**Do not operate this equipment in the vicinity of bystanders. Keep bystanders a safe distance away from the machine.**



**Wait until all machine components have completely stopped before touching them.**



**Do not expose the machine to rain. Only store the machine in a dry place.**



**Wear protective gloves, sturdy shoes and long trousers.**



**Obtain and wear eye and ear protection at all times while operating the machine.**



**Dispose of this product in an environmentally friendly way.**

**During operation, do not reach into the feed opening 1 or the discharge chute 8. The machine runs on for a few seconds after being switched off.**

Before switching on, the machine must be assembled according to the enclosed instructions.

It is recommended for increased electrical safety to use a Residual Current Device (RCD) with a tripping current of not more than 30 mA. Always check your RCD every time you use it.

Use only extension cables that are intended for outdoor use and are protected against splashes of water.

Do not touch the plug or socket with wet hands.

Do not drive over, crush or stretch the cable.

Do not allow children to operate this equipment.

Other persons and animals should remain at a distance of 3 metres or more when the machine is being used. The operator is responsible for third persons in the working area.

Bosch can assure flawless functioning of the machine only when original accessories are used.

Become familiar with the owner's manual before attempting to operate this machine.

Avoid wearing loose-fitting clothing, hanging cords or ties.

Only operate the machine in open space (eg not too close to a wall or other fixed objects) and on a firm, level surface.

Do not operate the machine on paved or gravel surface where ejected material could cause injury.

Before starting the machine, check that all screws, nuts, bolts and other fasteners are properly secured and that guards and screens are in place. Replace damaged or unreadable warning and operating labels.

Before starting the machine, make certain that the feed intake is empty.

Keep your face and body away from the feed intake opening.

Do not allow hands or any other part of the body or clothing inside the feed intake opening, discharge chute or near any moving part.

Switch off the machine before attaching or removing the bag.

Keep proper balance and footing at all times. Do not overreach.

Never stand at a higher level than the base of the machine when feeding material.

Always stand clear of the discharge zone when operating the machine.

When feeding material into the machine be extremely careful that pieces of metal, rocks, bottles, cans or other foreign objects are not included.

If the cutting mechanism strikes any foreign object or if the machine should start making any unusual noise or vibration, immediately switch off and allow the cutter to stop. Remove the plug from the mains supply and take the following steps:

- Inspect for damage.
- Replace or repair any damaged parts.
- Check for and tighten any loose parts.

Do not attempt to repair the machine unless you are qualified to do so.

Do not allow processed material to build up in the discharge zone; this may prevent proper discharge which can result in kickback of material through the feed intake opening.

If the machine becomes clogged, switch off and allow the cutter to stop. Remove the plug from the mains supply before clearing debris.

Keep all guards and deflectors in place and in good working condition.

Do not tamper with the motor speed control settings. Contact a Bosch approved service agent if a problem exists.

Keep the motor cooling vents clean of debris and other accumulations to prevent damage to the motor or possible fire.

Do not transport the machine while the motor is running.

Switch off, allow the cutter to stop and remove the plug from the mains supply whenever you leave the work area.

Do not tilt the machine while it is running.

### Maintenance and storage:

- When the machine is stopped for servicing, inspection, or storage, or to change an accessory, switch off and remove the plug from the mains supply and allow the machine to cool. Make sure that all moving parts have come to a complete stop before making any inspections, adjustments, etc.
- Maintain the machine with care and keep it clean.
- Replace worn or damaged parts for safety. Ensure all replacement parts are Bosch Approved.
- If an extension cord is used it shall not be of lighter grade than the supply cord already fitted to the machine.
- Check the supply and any extension cord regularly for damage or signs of ageing. Do not use the machine, if the cords are damaged.
- When servicing the cutter be aware that, even though the motor will not start due to the interlock feature of the guard, the cutter can still be moved if the motor is turned by hand.
- Never attempt to override the interlock feature of the guard.