



# Air Circulation Fan

**Model Number DL-20-4A**

## **INSTRUCTION MANUAL**

---

### **AFTER SALES SUPPORT**

  1 800 130 489

MODEL: DL-20-4A

 [Aldi-AU@protel-service.com](mailto:Aldi-AU@protel-service.com)  
PRODUCT CODE: 11307 11/2019

# Welcome

Congratulations on choosing to buy a STIRLING® product.

All products brought to you by STIRLING® are manufactured to the highest standards of performance and safety and, as part of our philosophy of customer service and satisfaction, are backed by our comprehensive 3 Year Warranty. We hope you will enjoy using your purchase for many years to come.

# Contents

- 02 Welcome**
- 04 Warranty Details**
- 05 General Information**
- 06 Safety**
- 12 Product Overview**
- 14 First Use**
- 15 Operation**
- 17 Cleaning and Maintenance**
- 19 Storage**
- 20 Other Useful Information**
- 21 Repair and Refurbished Goods or Parts Notice**



**Air Circulation Fan**

# Warranty Details

---

REGISTER YOUR PURCHASE AT [www.aldi.com.au/en/about-aldi/product-registration/](http://www.aldi.com.au/en/about-aldi/product-registration/) TO KEEP UP-TO-DATE WITH IMPORTANT PRODUCT INFORMATION

---

The product is guaranteed to be free from defects in workmanship and parts for a period of 36 months from the date of purchase. Defects that occur within this warranty period, under normal use and care, will be repaired, replaced or refunded at our discretion. The benefits conferred by this warranty are in addition to all rights and remedies in respect of the product that the consumer has under the Competition and Consumer Act 2010 and similar state and territory laws.

Our goods come with guarantees that cannot be excluded under the Australian Consumer Law. You are entitled to a replacement or refund for a major failure and for compensation for any other reasonably foreseeable loss or damage. You are also entitled to have the goods repaired or replaced if the goods fail to be of acceptable quality and the failure does not amount to a major failure.



# General Information

## Reading and storing the instruction manual



This instruction manual accompanies this air circulation fan (hereafter referred to as the „product“), and contains important information on setup and handling.

Before using the product, read the instruction manual carefully.

This particularly applies to the safety instructions. Failure to do so may result in personal injury or damage to the product.

Store the instruction manual for further use. Make sure to include this instruction manual when passing the product on to third parties.

## Proper use

The product is exclusively designed for ventilating dry rooms. It is only intended for private use and not suitable for commercial purposes.

Only use the product as described in this instruction manual. Any other use is considered improper and may result in damage to property or persons.

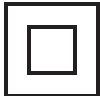
The manufacturer or vendor cannot be held liable for damages or injury incurred through improper or incorrect use.

## Explanation of symbols

The following symbols are used in this instruction manual, on the product or on the packaging.



This symbol provides you with useful additional information on handling and use.



This symbol identifies appliances that correspond to protection class II.

# Safety

## Signal symbol/word definitions

The following symbols and signal words are used in this instruction manual.



This signal symbol/word designates a hazard with moderate risk, which may result in death or severe injury if not avoided.



This signal symbol/word designates a hazard with low risk, which may result in minor or moderate injury if not avoided.



This signal word warns of possible damage to property.

## General safety instructions



DANGER if swallowed

Keep battery out of reach of children. Swallowing may lead to serious injury or death in as little as 2 hours due to internal burns. If swallowed, go straight to a hospital emergency room. Dispose of used battery immediately.



### Risk of electric shock!

A faulty electrical installation, excessive line voltage, or incorrect operation may result in an electric shock.

- Only connect the product if the line voltage of the socket corresponds to the data on the rating plate.
- Only connect the product to an easily accessible socket so that you can quickly disconnect it from the power supply in the event of a problem.

# Safety (Cont.)

- Do not use the product if it is damaged or if the mains cord or plug is defective.
- If the mains cord of the product is damaged, the manufacturer, the customer service team or a person with similar qualifications must replace it to avoid risks.
- Do not open the housing; instead, have a qualified professional perform repairs. Contact a qualified workshop for this. Liability and warranty claims are waived in the event of repairs performed by the user, improper connection or incorrect operation.
- Only parts that comply with the original device data may be used for repairs. This product contains electrical and mechanical parts which are essential for providing protection against sources of danger.
- Do not use the product with an external timer or separate remote control system.
- Do not immerse the product, the mains cord or the mains plug in water or other liquids.
- Never touch the mains plug with wet or damp hands.
- Do not pull the mains plug out of the socket by the cord; instead, always pull it out by the plug itself.
- Never move, pull, or carry the product by its mains cord.
- Keep the product and mains cord away from open flames and hot surfaces.
- Lay the mains cord so that it does not pose a tripping hazard.
- Do not kink the mains cord and do not lay it over sharp edges.
- Only use the product indoors. Do not use the product in damp rooms or in the rain.
- Do not place the product such that there is a risk of it falling into a tub or sink.

# Safety (Cont.)

- Never reach to retrieve an electrical device if it has fallen into water. In such a case, immediately disconnect the mains plug.
- Never insert any objects into the housing.
- Always switch the product off and unplug it when you are not using it, when you intend to clean it, or in the event of a malfunction.



**Danger for children and persons with impaired physical, sensory or mental capacities (e.g. partially disabled persons, older persons with reduced physical and mental capacities), or lack of experience and knowledge (e.g. older children).**

- The product can be used by persons (including children) with reduced physical, sensory or mental capabilities, or lack of experience and knowledge, if they have been given supervision or instruction concerning use of the fan by a person responsible for their safety, and they have understood the risks associated with operating it. Children should be supervised to ensure that they do not play with the product. Cleaning and user maintenance must not be carried out by children.
- Keep children away from the product and mains cord.
- Do not leave the product unattended while in use.
- Make sure that children do not play with the plastic wrapping. They may get caught in it when playing and suffocate.



# Safety (Cont.)



## **Risk of injury!**

Improper handling of the product may result in injury.

- Never operate the product without its protective grill.
- Do not insert fingers, limbs or other objects through the protective grill.
- Make sure when using the product that no objects such as ties, scarves, chains, long hair etc. become entangled in the propeller as it turns.
- Keep any pets away from the product.

## **NOTICE!**

## **Risk of damage!**

Improper handling of the product may result in damage to the product.

- Place the product on an easily accessible, level, dry and sufficiently stable surface. Do not place the product on the edge of a surface.
- Never place the product on or near hot surfaces (stovetops, etc.).
- Ensure that the mains cord does not come into contact with hot parts.
- Never expose the product to high temperatures (heaters etc.) or to the effects of the weather (rain etc.).
- Never fill the product with liquid.
- Never attempt to clean the product by immersing it in water and do not use a steam cleaner to clean it. Otherwise, you could damage the product.

# Safety (Cont.)

- Stop using the product if its plastic parts exhibit cracks or breaks or are deformed. Only replace damaged parts with corresponding original spare parts.

## Battery notes



### Health hazard!

If children or animals swallow the battery, there is a high health hazard.

- **WARNING:** Do not ingest battery – Chemical burn hazard! Keep batteries away from children.
- The remote control supplied with this product contains a coin/button cell battery. If the coin/button battery is swallowed, it can cause severe internal burns in just 2 hours and can lead to death.
- If you think batteries might have been swallowed or placed inside any part of the body, seek immediate medical attention.
- Store the battery so that it is not accessible for children and animals.
- Immediately dispose of any used or leaky battery in accordance with the applicable guidelines.
- Keep new and used batteries away from children. If the battery compartment does not close securely, stop using the product and keep it away from children.

# Safety (Cont.)

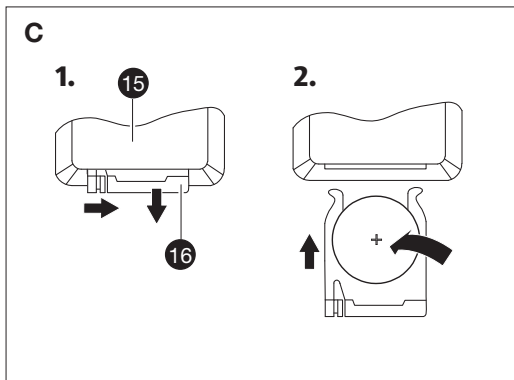
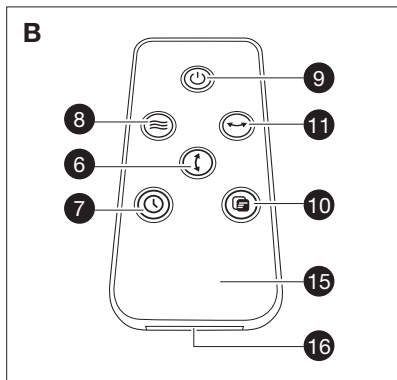
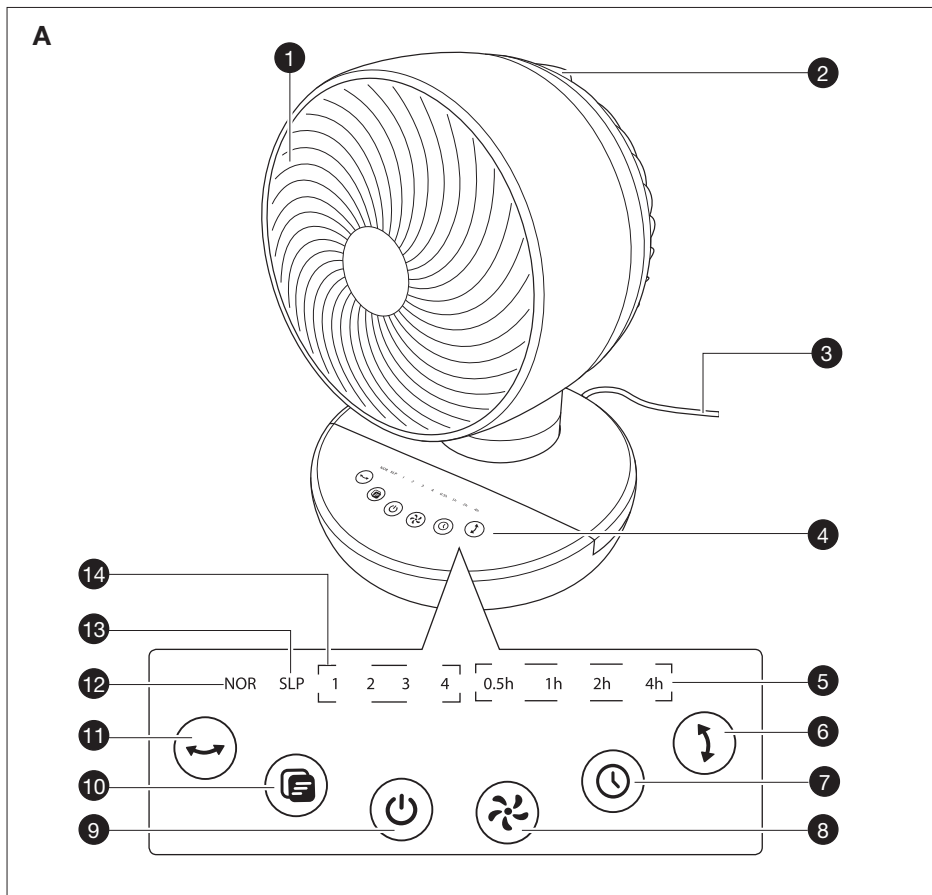


## **Risk of explosion!**

Improper handling of the battery increases the explosion hazard.

- Do not expose the battery to excessive heat such as from sunshine, fire and the like.
- Only replace the battery by a battery of the same type.
- Ensure that the battery is inserted the right way round, i.e. observe the polarity (+ and -).
- Do not throw the battery in a fire.
- Non-rechargeable batteries are not to be recharged.
- The supply terminals are not to be short-circuited.

# Product Overview



# Product Overview (Cont.)

## Components

- 1 Protective grill
- 2 Handle
- 3 Mains cord
- 4 Control panel (touch-sensitive)
- 5 Timer display
- 6 Vertical oscillation button (⌵/⌶)
- 7 Timer button (⌚)
- 8 Speed button (⚡/⌚)
- 9 On/off button (⏻)
- 10 Mode button (⌂)
- 11 Horizontal oscillation button (↔)
- 12 Natural breeze display
- 13 Sleep breeze display
- 14 Speed setting display
- 15 Remote control
- 16 Battery tray

The package contents include one type CR2025, 3 V battery.

# First Use

## Checking the product and package contents

### NOTICE!

#### Risk of damage!

If you are not cautious when opening the packaging with a sharp knife or other pointed object, you may quickly damage the product.

– For this reason, be very careful when opening it.

1. Take the product out of the packaging.
2. Check to make sure that all parts are included (see **Fig. A** and **B**).
3. Check whether the product or individual parts are damaged. If this is the case, do not use the product. Contact the manufacturer via the service address indicated on the warranty card.

#### Positioning the product

1. Ensure the product is positioned on a firm, even and vibration-free surface.  
When choosing the location, ensure that air can circulate freely both in front of and behind the product.  
Use the handle ② when you need to move the product around.
2. Insert the mains plug of the mains cord ③ into a properly installed socket.  
You will hear a beep sound when the product is connected with the power supply. The product is now ready for use.

#### Using the remote control for the first time

- Remove the insulating strip from the battery tray ⑬ of the remote control ⑮ before first use.
- To replace the battery, see chapter “Changing the battery”.

# Operation



- All operations can be carried out on the touch-sensitive control panel (4) or on the remote control (15).
- You will hear a beep sound when a button is pressed.

## Switching on or off

- Press the on/off button (⏻) (9) to switch on or off the product.

## Speed selection

- Press the speed button (⏮/⏭) (8) repeatedly to select an operation speed (1-4; 1 = lowest speed, 4 = highest speed).  
The corresponding indicator light will light up in the speed setting display (14).

## Oscillation function

- Press the horizontal oscillation button (↔) (11) for horizontal oscillation. Press the same button again to cancel this function.
- Press the vertical oscillation button (↑/↓) (6) for vertical oscillation. Press the same button again to cancel this function.



The horizontal oscillation and vertical oscillation functions can be used at the same time.

## Mode selection

1. Press the mode button (⏻) (10) once to select the natural breeze mode.  
In this mode, the operation speed will vary between the maximum and minimum. The selected operation speed will determine the maximum speed.  
The indicator light of the natural breeze display (12) will light up in this mode.
2. Press the mode button (⏻) a second time to select the sleep breeze mode.  
In this mode, the product will operate in the same way as the natural breeze mode and additionally, will gradually decrease the maximum operation speed every 30 minutes until the lowest speed is reached.  
The indicator light of the sleep breeze display (13) will light up in this mode.
3. Press the mode button (⏻) a third time to cancel all mode selections.  
The indicator lights of both natural sleep display and sleep breeze display will turn off.

# Operation (Cont.)

## Timer function

The timer function allows you to set the duration that the product should be on (max. 7.5 hours).

1. Press the timer button (Ⓢ) (7) to select a desired duration (from 0.5 to 7.5 hours).

The corresponding indicator lights in the timer display (5) will light up. In some cases, multiple indicator lights will light up. For example, the indicator lights of 0.5h, 1h and 2h will light up to indicate 3.5 hours.

2. To cancel the timer function, press the timer button (Ⓢ) until all indicator lights in the timer display are turned off.



# Cleaning and Maintenance

## Cleaning the product



### Risk of electric shock!

The improper use of the product can lead to an electric shock.

- Always unplug the mains plug from the mains socket before cleaning.
- Never dismantle the product to clean it.

### NOTICE!

### Risk of short circuit!

Water or other liquids that have penetrated the housing may cause a short circuit.

- Make sure that no water or any other liquids get into the housing.
- Never immerse the product in water or other liquids.

### NOTICE!

### Risk of damage!

Improper handling of the product may result in damage.

- Do not use any aggressive cleaners, brushes with metal or nylon bristles, or sharp or metallic cleaning utensils such as knives, hard scrapers and the like. They could damage the surfaces.

1. Switch off the product and unplug the mains plug before cleaning.
2. Dust the protective grill ① using a soft brush, or you can use a vacuum cleaner with a brush attachment to clean the protective grill.
3. Wipe down the housing and the remote control ⑮ using a slightly moist cloth. Then let all parts dry completely

# Cleaning and Maintenance (Cont.)

## Changing the battery



### Choking hazard!

The battery is a small object. If children or animals swallow the battery, there is a high health and choking hazard.

- Keep the battery out of reach of children.
- If you suspect a battery to have been swallowed, seek immediate medical attention.

If the remote control (15) is not responsive or not working, the battery power level may be low or empty. Replace the inserted battery (Type: CR2025) as follows:

1. Turn the remote control over.
2. Pull the battery tray (16) out from the remote control while pushing the tab of the battery tray to the right (see step 1 in **Fig. C**).
3. Take the inserted battery out of the battery tray and dispose of it in accordance with applicable regulations (see chapter “Disposal”).
4. Insert a new battery of the same type in the battery tray. Make sure the polarity is correct (“+” side is facing up) (see step 2 in **Fig. C**).
5. Slide the battery tray back into the remote control so that it locks into place (see step 2 in **Fig. C**). You have successfully replaced the battery.

# Storage



## **Risk associated with leaked battery fluid and risk of damage!**

If you store the product for a prolonged period with a battery inserted, the battery may leak and permanently damage the product. The battery fluid (electrolyte) is corrosive.


- If you do not use the product for a prolonged period, remove the battery from the remote control and store it separately.
- Do not remove battery fluid with your bare hands. Do not allow battery fluid to come into contact with skin, eyes or mucus membranes. Use normal household washing gloves. If, however, your skin has come into contact with battery fluid, wash your hands immediately and consult a physician if necessary.
- Wipe the leaked battery fluid up with a damp cloth. You can wash the cloth and reuse it or dispose of it with your household waste.

All parts must be completely dry before being stored.

- Always store the product in a dry area.
- Protect the product from direct sunlight.
- Store the product so that it is not accessible to children.

# Other Useful Information

## Technical data

Model:	DL-20-4A
Supply voltage:	220–240 V / 50 Hz
Power:	70 W
Battery (remote control):	1 × CR2025, 3 V
Protection class:	II 
Speed settings:	4
Timer:	0.5–7.5 hours
Weight:	3.14 kg
Dimensions:	28.2 × 28.2 × 36.5 cm
Product code:	11307

## Disposal

### Disposing of the packaging

- Sort the packaging before you dispose of it. Dispose of paperboard and cardboard with the recycled paper service and wrappings with the appropriate collection service.

### Disposing of the product

- Should the product no longer be capable of being used at some point in time, **dispose of it in accordance with the regulations in force in your city or county.**
- Please ensure your recycling information applies to the local regulations.

### Batteries and rechargeable batteries may not be disposed of with household waste!

As the end user you are required by law to bring all batteries and rechargeable batteries, regardless whether they contain harmful substances\* or not, to a collection point run by the city or county, or to a retailer, so that they can be disposed of in an environmentally friendly manner.

\*labelled with: Cd = cadmium, Hg = mercury, Pb = lead



Air Circulation Fan

# Repair and Refurbished Goods or Parts Notice

---

Unfortunately, from time to time, faulty products are manufactured which need to be returned to the Supplier for repair.

Please be aware that if your product is capable of retaining user-generated data (such as files stored on a computer hard drive, telephone numbers stored on a mobile telephone, songs stored on a portable media player, games saved on a games console or files stored on a USB memory stick) during the process of repair, some or all of your stored data may be lost.

**We recommend you save this data elsewhere prior to sending the product for repair.**

You should also be aware that rather than repairing goods, we may replace them with refurbished goods of the same type of use refurbished parts in the repair process.

**Please be assured though, refurbished parts or replacements are only used where they meet ALDI's stringent quality specifications.**

If at any time you feel your repair is being handled unsatisfactorily, you may escalate your complaint. Please telephone us on 1 800 130 489 or write to us at:

ACR Supply Partners Pty Ltd.

50 Old Wallgrove Road, EASTERN CREEK NSW Sydney  
2766 AUSTRALIA

Tel: 1 800 130 489 (Mon-Fri 08:00-20:00 AEST)

Aldi-AU@protel-service.com









## Warranty returns

Should you for any reason need to return this product for a warranty claim, make sure to include all accessories with the product.

## Product does not work?

If you encounter problems with this product, or if it fails to perform to your expectations, make sure to contact our After Sales Support Centre on for advice.

For an electronic copy of this manual, please contact our after sales support centre.

## Instruction Manual Revision Index

<u>Version No</u>	<u>Issue Date</u>	<u>Description</u>
V9	Aug 2019	Original release