

Steelcraft™

SAVVI

CONVERTIBLE SEAT STROLLER



**Travel system compatible:
Suitable for use with Britax
Safe n Sound Unity baby capsule
(sold separately)**

KEEP THESE INSTRUCTIONS FOR FUTURE REFERENCE

www.britax.com.au

Series TK321

IMPORTANT NOTES

IMPORTANT NOTES:

ALWAYS FOLLOW THE MANUFACTURERS INSTRUCTIONS. READ ALL INSTRUCTIONS CAREFULLY BEFORE ASSEMBLY AND USE OF THIS STROLLER. THE CORRECT USE AND MAINTENANCE OF THIS PRODUCT IS ESSENTIAL.

- **USE GREAT CARE WHEN USING THE STROLLER ON STAIRS, ESCALATORS, TRAVELATORS OR OTHER MOVING SURFACES.**
- **IT IS RECOMMENDED TO REMOVE THE CHILD FROM THE STROLLER BEFORE GOING UP OR DOWN STAIRS OR ESCALATORS.**
- **DO NOT ALLOW CHILDREN TO STAND ON THE SEAT.**
- **DO NOT HANG BAGS OR GOODS FROM THE HANDLE AS THIS COULD CAUSE THE STROLLER TO TIP OVER.**
- **DO NOT LEAVE THE STROLLER AND ITS ACCESSORIES NEAR AN OPEN FIRE OR EXPOSED FLAME.**
- **DO NOT PLACE MORE THAN 4KG IN THE BASKET, OR 1KG IN THE CANOPY POCKET (IF SUPPLIED).**

WARNINGS



WARNINGS: TO AVOID INJURY OR DEATH:

ALWAYS APPLY THE BRAKES WHENEVER THE STROLLER IS STATIONARY.

- **DO NOT LEAVE CHILDREN UNATTENDED.**
- **SECURE THE CHILD IN THE HARNESS AT ALL TIMES.**
- **DO NOT CARRY EXTRA CHILDREN OR BAGS ON THIS STROLLER.**
- **MAKE SURE CHILDREN ARE CLEAR OF ANY MOVING PARTS IF YOU ADJUST THE STROLLER.**
- **DO NOT USE ANY ACCESSORIES OTHER THAN THOSE APPROVED FOR USE WITH THIS STROLLER BY BRITAX.**
- **IT IS UNSAFE TO USE ACCESSORIES NOT APPROVED FOR USE WITH THIS STROLLER.**
- **THE MAXIMUM WEIGHT OF THE CHILD USING THIS STROLLER IN THE BASSINET MODE IS NOT TO EXCEED 9KG. THE MAXIMUM WEIGHT OF THE CHILD USING THIS STROLLER IN THE SEAT MODE IS NOT TO EXCEED 20KG.**



This CAUTION Symbol is shown at certain steps in this Instruction Manual to highlight the danger of being injured by moving parts.

CAUTION

MANUAL HANDLING TECHNIQUES

The SMART lifting technique

This technique can be used to pick up small light loads from low levels.

Size up the Load

- Assess the load (size, shape and weight).
- Assess whether the load needs to be moved;
- Where is it going to be placed" Check that there are no obstructions;
- Assess whether mechanical or human assistance is required.

Move the Load as close to the body as possible

- A load is heavier to lift or carry if it is not close to the body.
- The whole hand should be used to ensure a firm grip.

Always bend your knees

- Maintain balance.
- Keep feet apart and in a comfortable position.
- Minimise lower back bending.
- Bend knees preferable at as large an angle as possible but not at a right angle - use a semi squat in preference to a full squat.

Raise the load with your legs

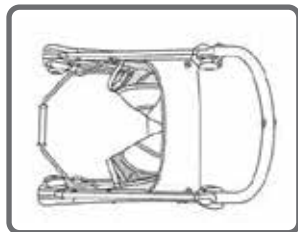
- Achieve the lift smoothly and without jerkiness.
- Maintain the normal curvature of the spine to allow the force of the load to be distributed evenly from the spine to the pelvis.

Turn your feet in the direction that you want to move the load.

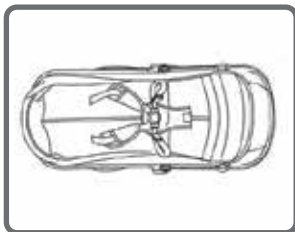
- Avoid unnecessary bending, twisting and reaching.
- Change direction by turning your feet and not your back.
- To set the load down, squat down, keep your head up and let your legs do the work.

Remember to 'THINK TALL' chest lifted, shoulders relaxed, chin tucked in and head level.

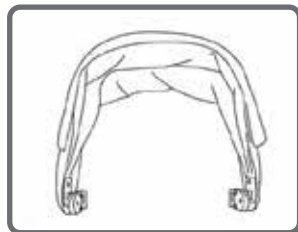
PARTS LIST



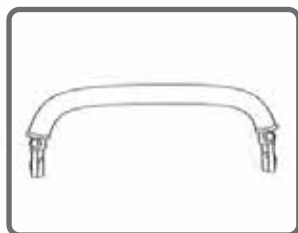
A 1 x Frame



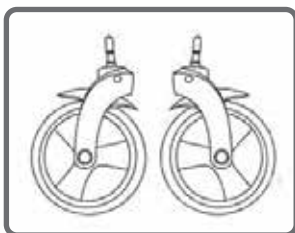
B 1 x Convertible
bassinet/seat unit



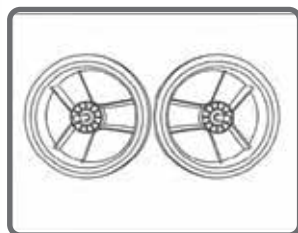
C 1 x Canopy



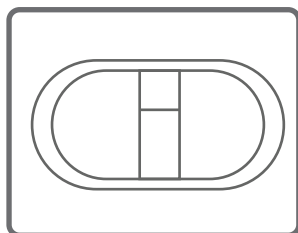
D 1 x Arm Bar



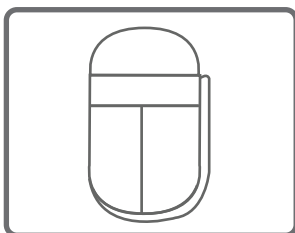
E 2 x Front Wheels



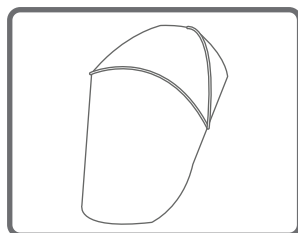
F 2 x Rear wheels



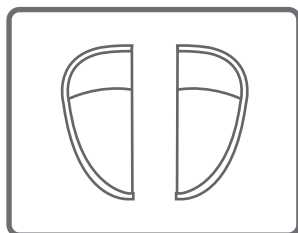
G 1 x Bassinet liner



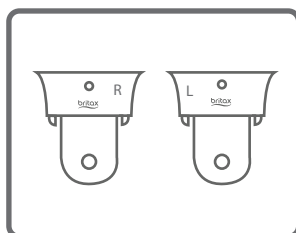
H 1 x Boot cover



I 1 x Rain cover



J 2 x Shoulder pads



K 2 x CLICK N GO Receivers

STROLLER ASSEMBLY

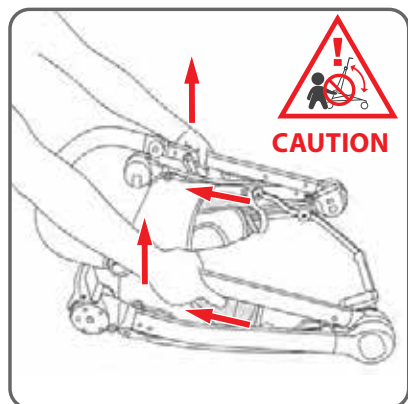
OPENING THE STROLLER FRAME

IMPORTANT NOTES:

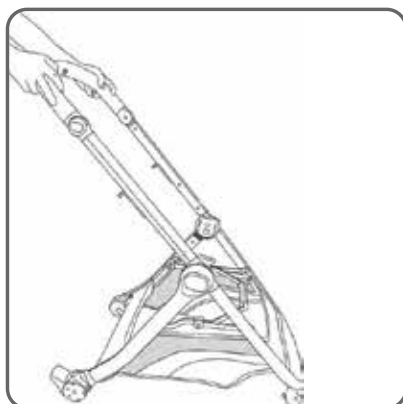
PLEASE REFER TO PAGE 4 FOR SMART LIFTING TECHNIQUES.

- RELEASE THE STORAGE LATCH WITH DUE CARE AND OPEN THE FRAME.
- WHEN OPENING THE STROLLER, BE AWARE OF THE DANGER OF BEING INJURED BY MOVING PARTS AND LOCKING DEVICES DURING THE PROCESS. KEEP ALL HANDS AND LIMBS CLEAR OF THESE PARTS.
- THERE IS POTENTIAL FOR FINGERS OR PARTS OF THE BODY TO BE INJURED WHEN THE STROLLER IS BEING UNFOLDED, DUE CARE SHOULD BE EXERCISED.
- KEEP CHILDREN CLEAR OF THE STROLLER WHEN UNFOLDING THE STROLLER.
- OPEN THE STROLLER SLOWLY AND BE CAREFUL WHERE YOU PLACE YOUR HANDS.

OPENING THE STROLLER FRAME



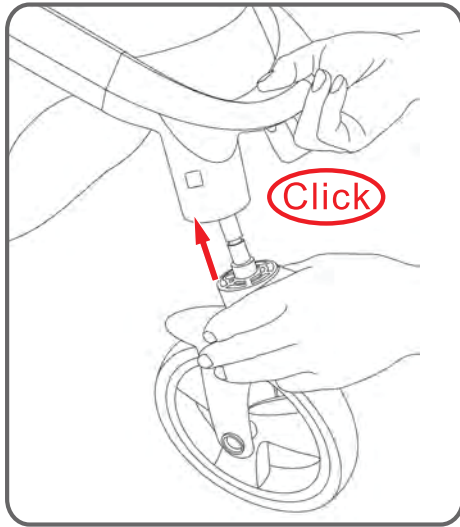
A Lay the frame on a flat surface and slide the latches on both handle tubes towards the handle and then lift the handle upwards.



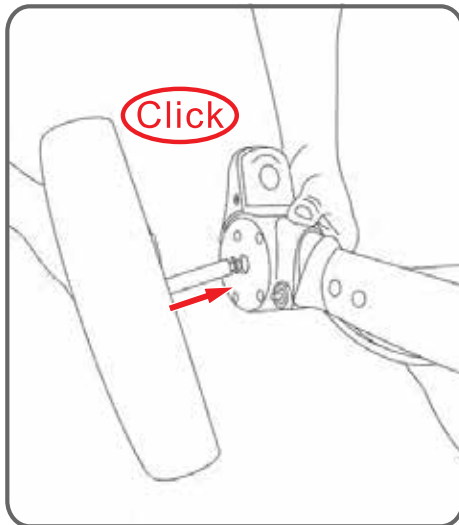
B Continue to lift the handle upwards until the frame is fully open and locked.

STROLLER ASSEMBLY

ATTACHING THE FRONT & REAR WHEELS



A To attach the front wheels, insert each front swivel wheel assembly into the wheel moulding and push in until you hear a 'click' which indicates the wheel is locked in. Pull on each wheel to make sure it is securely attached. Repeat the process if not locked in.



B To attach the rear wheels, insert each wheel axle into the moulding and push in until you hear a 'click' which indicates the wheel is locked in. Pull on each wheel to make sure it is securely attached. Repeat the process if not locked in.

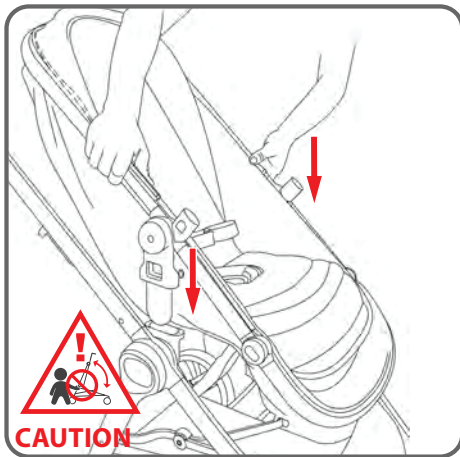
STROLLER ASSEMBLY

ATTACHING THE SEAT TO THE STROLLER FRAME

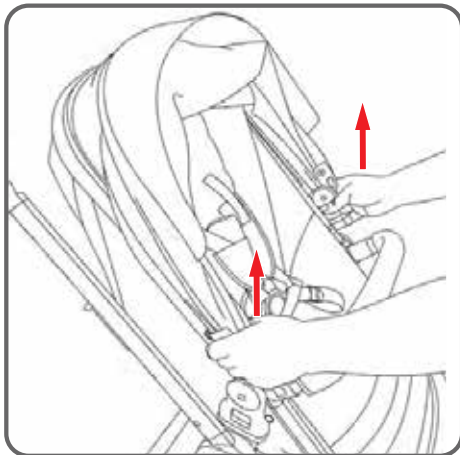
IMPORTANT NOTE:

ALWAYS REMOVE YOUR CHILD FROM THE STROLLER SEAT BEFORE INSTALLING THE STROLLER SEAT TO THE FRAME.

PLEASE NOTE: The seat is reversible so it can be attached to the frame in the forward facing position or the rearward facing position.



- A** Hold the stroller seat over the frame. Align the stroller seat connectors over the connection sockets on the frame. Push down on the seat until both stroller seat connectors have locked into the frame sockets.

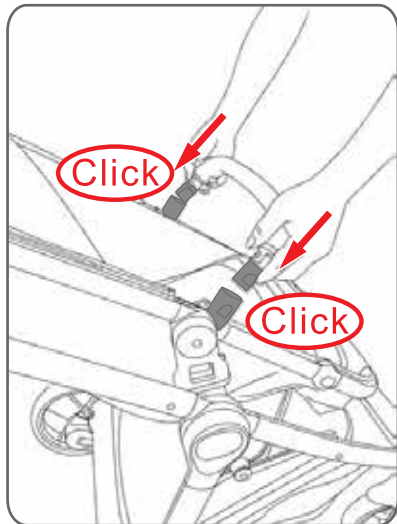


- B** Pull up on both sides of the seat to ensure that it is locked into place correctly.

STROLLER ASSEMBLY

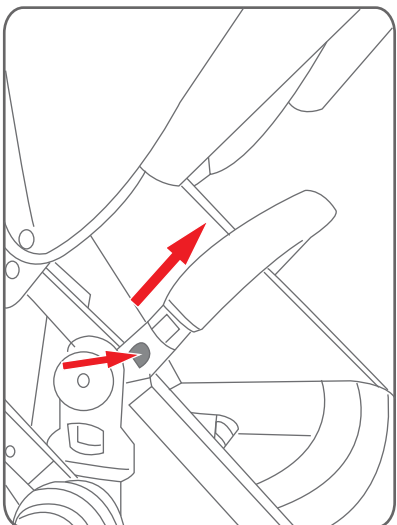
ATTACHING THE ARM BAR

! **WARNING:** WHEN A CHILD IS IN THE STROLLER IT IS RECOMMENDED THAT THE ARM BAR IS ATTACHED TO THE STROLLER AT ALL TIMES.



A Insert the arm bar mouldings into the sockets on each side of the stroller frame and push down on the arm bar until a 'click' is heard which indicates the arm bar has locked into the sockets. To assist with putting a child in the stroller, you can release the arm bar on one side. Press the button on the side of the arm bar moulding and pull the arm bar up and out of the socket.

Rotate the arm bar clear of the stroller. Reattach the arm bar after fastening the child in the harness.



B To remove the arm bar, press the button on each side of the arm bar moulding and pull arm bar up and out of the sockets.

STROLLER ASSEMBLY

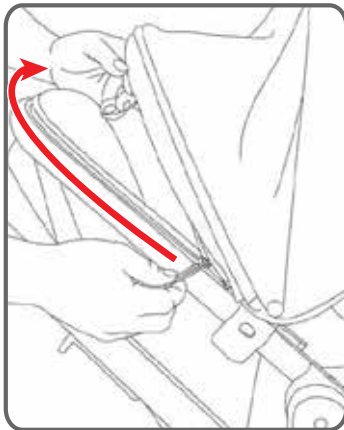
ATTACHING THE CANOPY

IMPORTANT NOTE:

The sun is very strong. **DO NOT LEAVE YOUR CHILD EXPOSED TO THE SUN.** The canopy or hood on this product will not give your child total protection from the harmful rays of the sun.




- A** Place the canopy on the stroller frame and push the clips on the sides of the canopy onto the stroller frame until they snap into place.

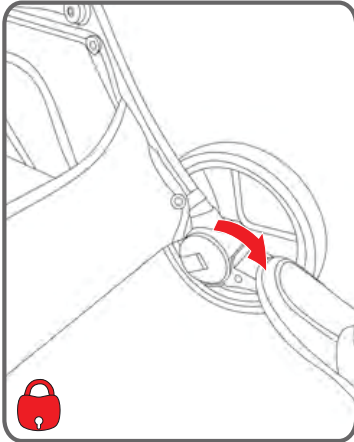


- B** Attach the canopy to the seat unit with the zipper. There is peek a boo window with magnetic closer and zipped open mesh panel for better ventilation.

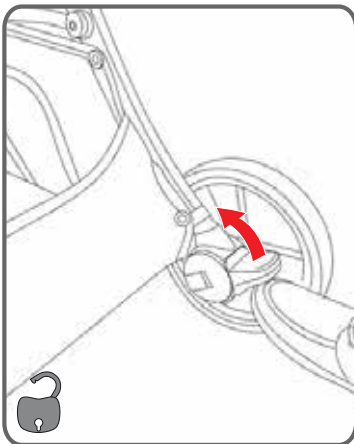
STROLLER OPERATION

USING THE BRAKES

 **WARNING:** ALWAYS APPLY THE BRAKES WHEN THE STROLLER IS STATIONARY.



A The red brake lever is located on the right hand side of the stroller beside the rear wheel. To lock the rear wheels, push the brake lever down using your foot. Push the stroller backwards and forwards to confirm the wheels are locked. If not locked, repeat this step.



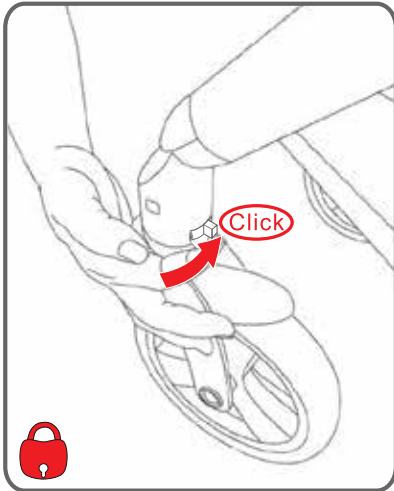
B To unlock the rear wheels, lift the red brake lever up using your foot.

STROLLER OPERATION

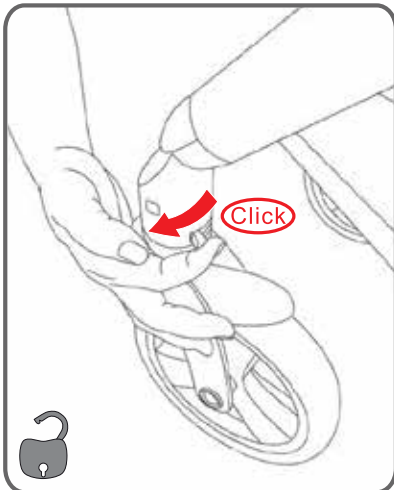
USING THE SWIVEL WHEELS

PLEASE NOTE: Always lock the swivel wheels when using the stroller on rough surfaces as this will minimise wheel wobble.

The swivel wheels should only be locked when the wheels are in the trailing position (wheels under frame).



- A** To lock the front wheels into the fixed position, slide the swivel wheel locking clip towards the inside of the frame until you hear a 'click'.



- B** To allow the wheels to swivel, slide the black swivel wheel locking clip towards the outside of the frame until you hear a 'click'.

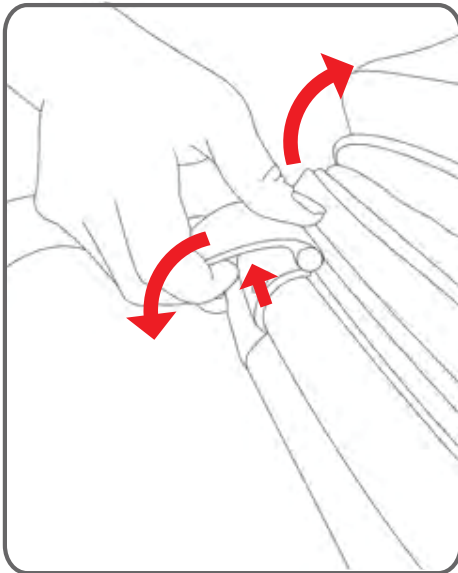
STROLLER OPERATION

ADJUSTING THE BACKREST RECLINE POSITION

WARNINGS:

- **THE UPRIGHT POSITIONS ARE NOT SUITABLE FOR USE WITH CHILDREN LESS THAN 6 MONTHS OLD.**
- **THE LOWEST RECLINE POSITION SHOULD BE USED TO TRANSPORT BABIES. THE BACKREST CAN BE ADJUSTED TO A MORE UPRIGHT POSITION AS THE CHILD GROWS OLDER AND IS ABLE TO SUPPORT ITS HEAD WITHOUT ASSISTANCE.**

PLEASE NOTE: If the child is sitting in the seat, support the backrest as it reclines. If you have difficulty reclining the backrest you may need to remove the child from the seat to allow you to raise or lower the backrest with ease.



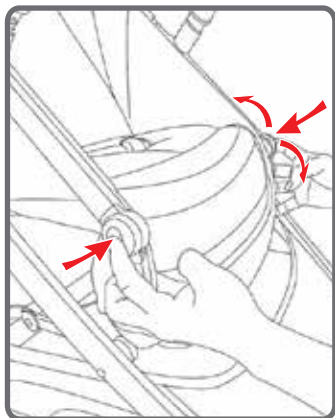
- A** Lift the recline lever on the back of the seat and hold while raising or lowering the backrest to the desired recline position.

STROLLER OPERATION

ADJUSTING THE LEG REST

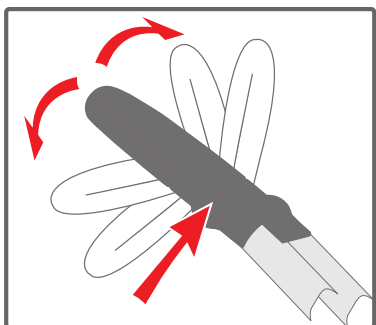
IMPORTANT NOTES:

- THE LEG REST FEATURE IS PROVIDED FOR YOUR CHILD'S COMFORT.
- THE LEG REST IS NOT DESIGNED TO SUPPORT EXTRA WEIGHT.
- DO NOT ALLOW CHILDREN TO STAND OR SIT ON THE LEG REST. IT WILL BREAK IF EXTRA WEIGHT IS APPLIED.



A To adjust the leg rest, press the release buttons in on both sides of the leg rest and raise or lower to your desired position.

ADJUSTING THE PIVOTAL HANDLE



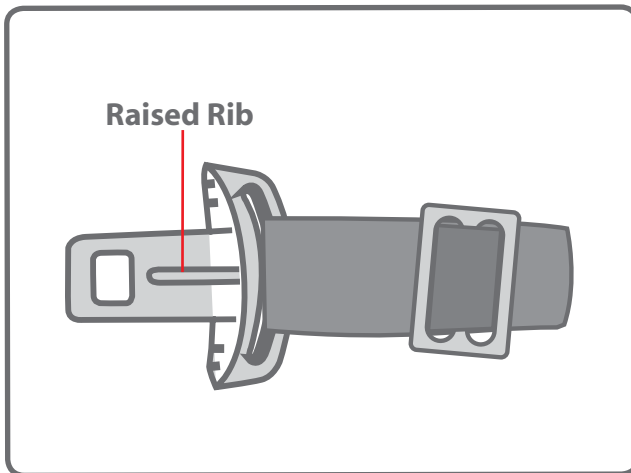
A To adjust the handle height, squeeze in and hold the buttons on the outside of the handle. Rotate the handle up or down to the desired position then release the buttons.

STROLLER OPERATION

USING THE HARNESS

 **WARNING:** USE THE HARNESS AT ALL TIMES.

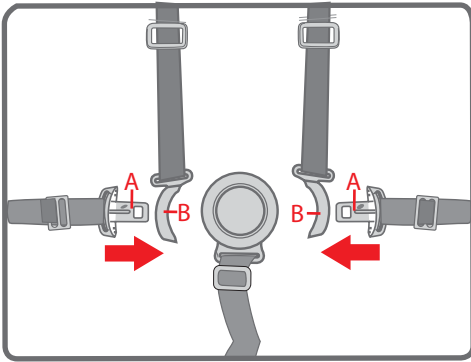
- ENSURE YOUR CHILD IS SECURED WITH A CORRECTLY ADJUSTED HARNESS.
- THE ADJUSTED HARNESS SHOULD CLOSELY FIT THE CHILD.
- NEVER LEAVE THE HARNESS BUCKLED WHEN NOT FITTED TO A CHILD IN THE STROLLER, BECAUSE THE HARNESS CAN FORM LOOPS WHICH MAY POSE A STRANGULATION HAZARD.
- WHEN HARNESS IS NOT IN USE, DISCONNECT SHOULDER STRAPS FROM THE WAIST STRAPS AND BUCKLE TO PREVENT STRANGULATION.
- A five point harness is provided to restrain your child.
- Buckle tongues separate for added safety.
- To reconnect buckle tongues and to secure the child in the harness please follow the steps below carefully.



PLEASE NOTE: Each waist buckle tongue has a raised rib on one side and can only be locked into the buckle assembly with the raised rib facing up.

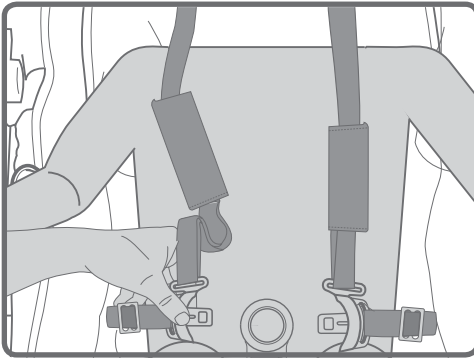
STROLLER OPERATION

USING THE HARNESS

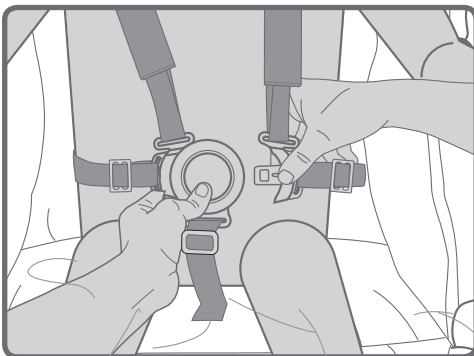


- A** Always apply the brakes. Place child in seat. Slip one shoulder strap over each shoulder. Position crotch strap between legs. Push the buckle tongues (A) on waist straps through the tongue guides (B) on shoulder straps.

PLEASE NOTE: Ensure the straps are not twisted as they may become uncomfortable for the child.



- B** Hold the buckle tongue (A) on the waist strap & tongue guides (B) on shoulder straps together.

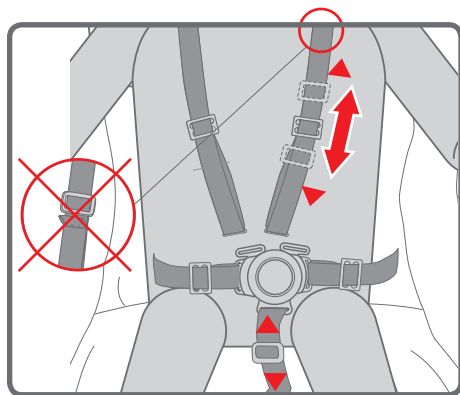


- C** Press in and hold the centre crotch buckle button and insert the waist buckle tongues into the crotch buckle assembly.

IMPORTANT: Pull on each waist buckle tongue to make sure they are locked into the crotch buckle assembly. If not, repeat above procedure.

STROLLER OPERATION

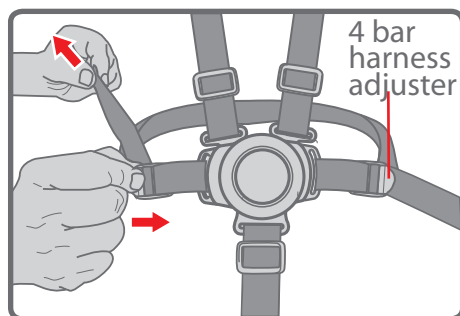
USING THE HARNESS



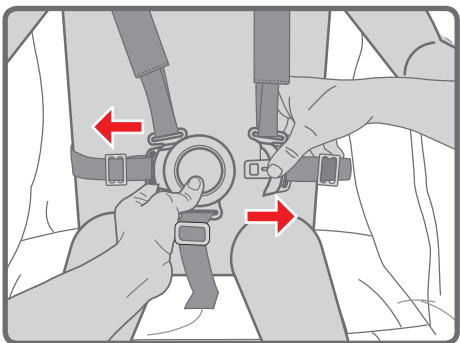
- D** Tighten or loosen the shoulder straps and crotch strap by sliding the 3 bar harness adjuster up or down. The crotch strap should be adjusted to a snug fit.



CAUTION: DO NOT SLIDE 3 BAR SLIDER OVER THE SEWN TAB ON SHOULDER HARNESS.



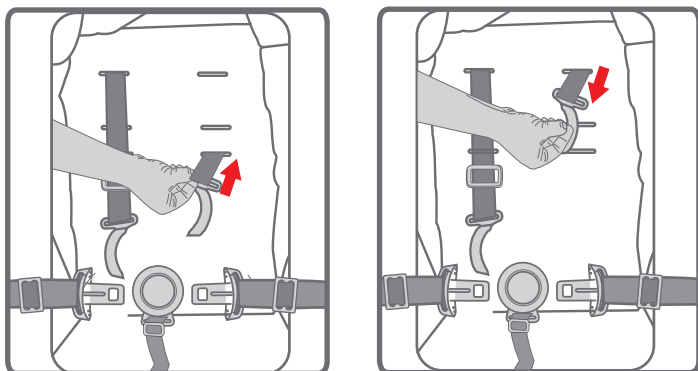
- E** Tighten or loosen the waist straps, hold and lift the 4 bar harness adjuster and pull the harness strap to adjust to the desired fit. The waist strap needs to fit firmly around the child.



- F** Release the harness by depressing the button in the centre of the buckle while pulling the two waist tongues away from the buckle assembly.

STROLLER OPERATION

USING THE HARNESS

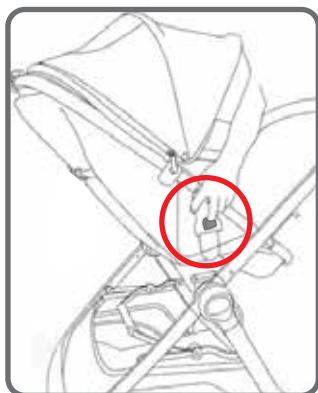


G The stroller seat has 3 sets of harness slots at different heights to accommodate the child. The shoulder straps must be positioned near the child's shoulders. To change the shoulder harness height, push the shoulder harness tongue out of the current harness slot and through the back of the seat and then pull the shoulder harness buckle tongue through the desired slot.

REMOVING THE STROLLER SEAT FROM THE FRAME

IMPORTANT NOTE:

ALWAYS REMOVE YOUR CHILD FROM THE STROLLER SEAT BEFORE REMOVING THE SEAT FROM THE STROLLER FRAME.



A Lift both release levers on the seat connectors at the same time and lift the seat up and away from the stroller frame.

STROLLER OPERATION

CHANGING THE SEAT TO THE REARWARD FACING POSITION

PLEASE NOTE: The seat is reversible so it can be attached to the frame in the forward facing position or the rearward facing position.

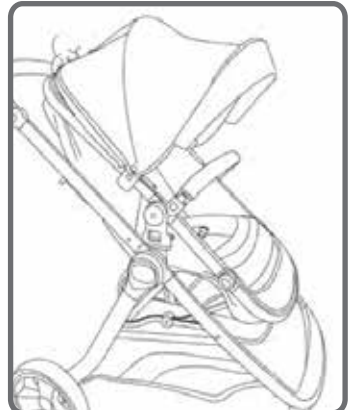
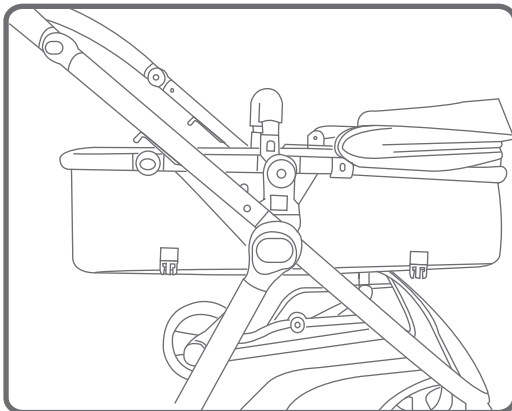


A To attach the stroller seat to the frame in the rearward facing position, hold the stroller seat over the frame. Align the stroller seat connectors over the connection sockets on the frame. Push down on the seat until both stroller seat connectors have locked into frame sockets. Pull up on both sides of the seat to ensure that it is locked into place correctly.

CONVERTING STROLLER MODE

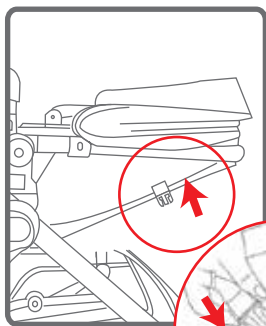
IMPORTANT NOTE:

- REMOVE YOUR CHILD FROM THE BASSINET BEFORE CONVERTING THE STROLLER MODE.
- THIS BASSINET IS ONLY USED ON THE FRAME AND CAN'T BE USED AS STAND ALONE BASSINET.

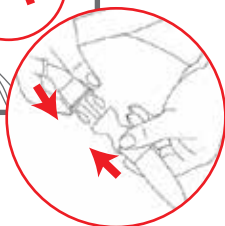


STROLLER OPERATION

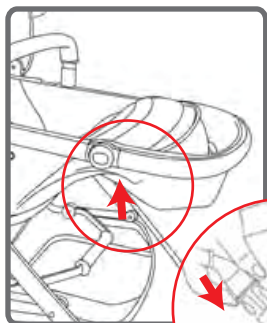
CONVERTING THE BASSINET INTO THE STROLLER SEAT



A Push the base of the bassinet at the canopy end upwards into a higher position to form the stroller seat backrest.



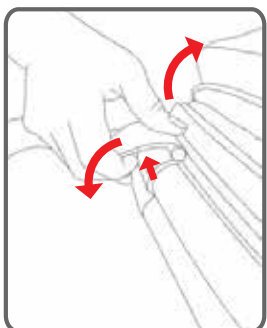
B Secure the backrest into position with the harness and buckle under the backrest.



C Push the base of the bassinet at the foot end upwards into a higher position to form the stroller leg rest.



D Secure the leg rest into position with the harness and buckle under the leg rest.



E Using the recline lever to adjust the backrest to desired position.

STROLLER OPERATION

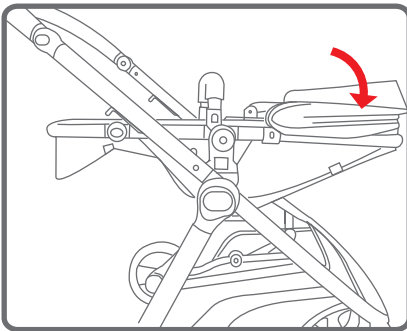
CONVERTING STROLLER SEAT TO THE BASSINET

WARNINGS:

- DO NOT USE THE BASSINET ONCE THE CHILD CAN SIT UP.
- THE MAXIMUM WEIGHT OF THE CHILD USING THIS BASSINET IS NOT TO EXCEED 9KG FOR THE BASSINET.



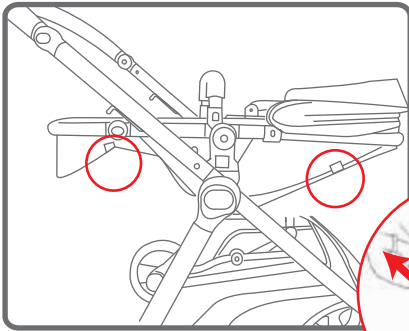
A Put the stroller seat into reverse facing position.



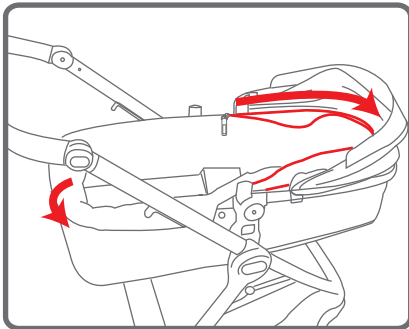
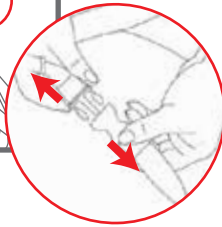
B Put the backrest to lowest position.

STROLLER OPERATION

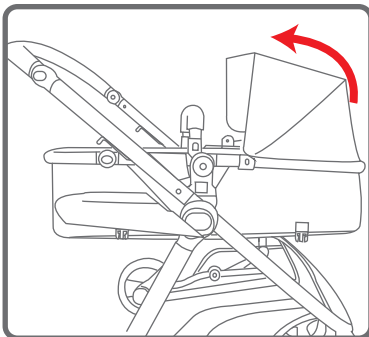
CONVERTING STROLLER SEAT TO THE BASSINET



C Unclip the buckle under the backrest and leg rest. Push down the backrest and leg rest to make bassinet base.



D Place bassinet liner over the bassinet and zip the top half of the liner to attach to seat. Pull the bottom half of the bassinet liner over the frame.



E Pull the canopy up for protection.

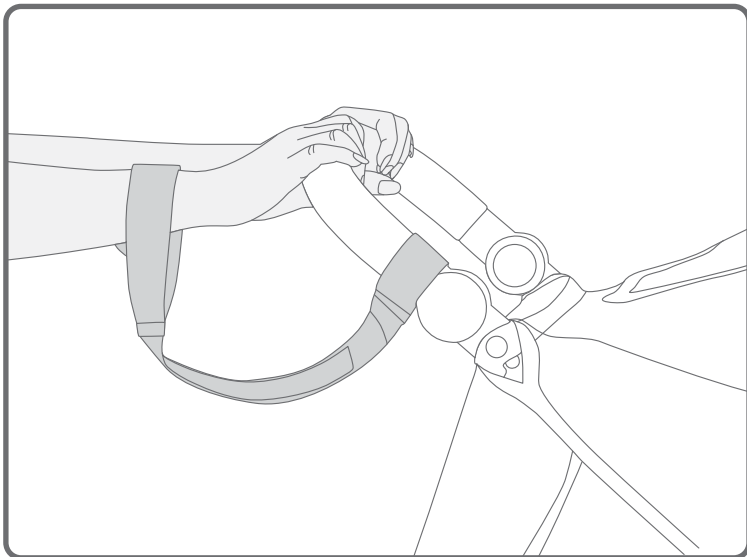
STROLLER OPERATION

USING THE TETHER STRAP

! WARNINGS: USE THE TETHER STRAP TO STOP THE STROLLER ROLLING AWAY.

- THE STROLLER IS DESIGNED FOR USE ON FLAT OR GENTLY SLOPING SURFACES, AND MAY BE UNSTABLE ON HIGHER SLOPING AND UNEVEN SURFACES AND USERS SHOULD BE AWARE OF THE POSSIBILITY OF THE STROLLER ROLLING AWAY OR TIPPING OVER.
- NEVER LET GO OF THE STROLLER WHEN PARKED ON AN INCLINE OR SLOPING SURFACE BECAUSE IT MAY SLIDE OR TIP OVER. ALWAYS PARK ON A FLAT SURFACE AND APPLY THE BRAKES.
- ALWAYS APPLY THE BRAKES WHENEVER THE STROLLER IS STATIONARY.

A A wrist tether strap is provided on the handle grip. Slide your hand through the tether strap loop whenever you use the stroller. Only remove your hand from the tether strap loop when the brakes have been applied to the stroller wheels.



STROLLER OPERATION

USING THE STROLLER

PLEASE REFER TO PAGE 4 FOR LIFTING TECHNIQUES.

- Always ensure you bend your knees where appropriate and take due care when lifting the frame.
- With your hand through the wrist tether strap loop, push the stroller holding the handle.
- The stroller can be steered in the desired direction - allowing the front wheels to swivel will make this easier.
- The front wheels may wobble or oscillate when walking fast. Locking the front swivel wheels will stop this.
- The stroller can be taken up kerbs by either pressing down on the handles and raising the front wheels or turning the stroller around and pulling the stroller up the kerb.
- Caution is required when pushing the stroller on a steep slope as the stroller may become unstable. Always hold the handle firmly.
- Do not run with the stroller.
- Whenever you stop, always apply the brakes before you leave the stroller.
- Do not hang bags or goods from the handle. Use the storage basket.

STROLLER OPERATION

FOLDING THE STROLLER

IMPORTANT NOTES:

PLEASE REFER TO PAGE 4 FOR LIFTING TECHNIQUES.

- REMOVE THE CHILD FROM THE STROLLER BEFORE COMMENCING ANY FOLDING OPERATION.
- FOLD THE STROLLER SLOWLY AND BE CAREFUL WHERE YOU PLACE YOUR HANDS.
- WHEN FOLDING THE STROLLER, BE AWARE OF THE DANGER OF BEING INJURED BY MOVING PARTS AND LOCKING DEVICES DURING THE PROCESS. KEEP ALL HANDS AND LIMBS CLEAR OF THESE PARTS.
- THERE IS POTENTIAL FOR FINGERS OR PARTS OF THE BODY TO BE INJURED WHEN THE STROLLER IS BEING FOLDED, DUE CARE SHOULD BE EXERCISED.
- KEEP CHILDREN CLEAR OF THE STROLLER DURING FOLDING THE STROLLER.

PLEASE NOTE: Even the stroller can be folded in any mode, it is recommended to remove the stroller seat from the frame before folding for easier handling & more compact fold.

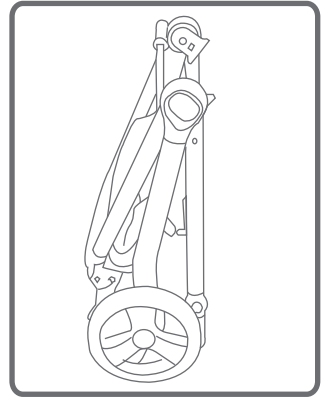
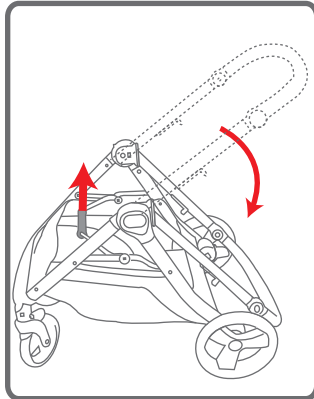
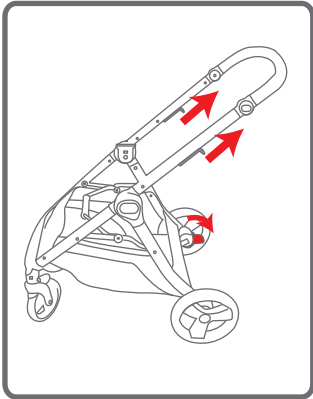
If folding the stroller with seat attached, follow below two steps prior to following the folding steps on next page.

A Remove the child from the stroller.

B Close the canopy.

STROLLER OPERATION

FOLDING THE STROLLER



C Lock the brakes.

D Pull the latches on the handle tube upwards and drop down the handle all the way.

E Pull the handle under the stroller seat upwards until you hear a 'click' and the frame is fully folded.

LIFTING AND CARRYING THE STROLLER

IMPORTANT NOTES:

PLEASE REFER TO PAGE 4 FOR LIFTING TECHNIQUES.

- TO AVOID INJURY: BEND YOUR KNEES WHEN OPENING, LIFTING, CARRYING, FOLDING, UNFOLDING OR ADJUSTING THE STROLLER OR ANY ACCESSORIES.
- Ensure that the storage latch is engaged when lifting or carrying the vehicle.

A To lift the stroller, grasp the stroller halfway along the stroller, so the stroller is balanced.

BABY CAPSULES

WARNINGS:

- **THE MAXIMUM WEIGHT OF THE CHILD USING THE BRITAX SAFE N SOUND UNITY NEOS BABY CAPSULE OR BRITAX SAFE N SOUND UNITY BABY CAPSULE ISOFIX COMPATIBLE IS NOT TO EXCEED 12kg.**

IMPORTANT NOTES:

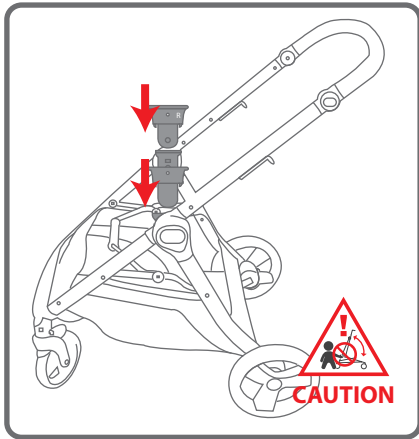
- THE BRITAX SAFE N SOUND UNITY NEOS BABY CAPSULE OR BRITAX SAFE N SOUND UNITY BABY CAPSULE ISOFIX COMPATIBLE ARE THE ONLY COMPATIBLE BABY CAPSULES DESIGNED TO FIT THE SAVVI STROLLER TO BE USED WITH CLICK N GO RECEIVERS (Supplied).
- REMOVE THE STROLLER SEAT OR BASSINET FROM THE STROLLER FRAME BEFORE INSTALLING THE BABY CAPSULE.
- THE BABY CAPSULE MUST BE CORRECTLY INSTALLED AND LOCKED ONTO THE STROLLER.
- THE BABY CAPSULE CAN ONLY BE ATTACHED IN THE UPPER POSITION ON THE STROLLER FRAME AND MUST ALWAYS BE IN THE REARWARD-FACING POSITION (FACING TOWARDS THE HANDLE).
- SECURE THE CHILD USING THE BABY CAPSULE HARNESS AT ALL TIMES.
- DO NOT LEAVE CHILD IN THE BABY CAPSULE FOR EXTENDED PERIODS.
- THE BABY CAPSULE IS DESIGNED TO PROVIDE MOBILITY OUTSIDE OF THE CAR BUT IT SHOULD NOT BE USED INSTEAD OF AN APPROPRIATE COT.
- THE BABY CAPSULE MUST BE REMOVED FROM THE FRAME BEFORE FOLDING.
- THE SUN IS VERY STRONG. DO NOT LEAVE YOUR CHILD EXPOSED TO THE SUN. THE CANOPY OR HOOD ON THIS PRODUCT WILL NOT GIVE YOUR CHILD TOTAL PROTECTION FROM THE HARMFUL RAYS OF THE SUN.

BABY CAPSULES

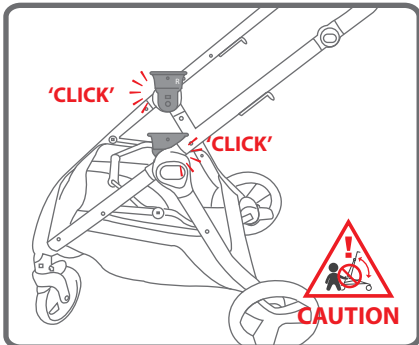
PLEASE NOTE: THESE INSTRUCTIONS ARE FOR INSTALLING AND REMOVING THE BABY CAPSULE ON THE STROLLER ONLY. FOR INSTALLING AND PROPER USE OF THE BABY CAPSULE IN THE CAR, PLEASE FOLLOW THE INSTRUCTION BOOK PROVIDED WITH THE BABY CAPSULE.

INSTALLING AND REMOVING THE CLICK N GO RECEIVERS

! WARNING: THE SAVVI CLICK N GO RECEIVERS MUST BE ATTACHED TO THE STROLLER FRAME BEFORE ATTEMPTING TO INSTALL THE BRITAX SAFE N SOUND UNITY CLICK & GO BABY CAPSULE OR THE BRITAX SAFE N SOUND UNITY BABY CAPSULE ISOFIX COMPATIBLE.

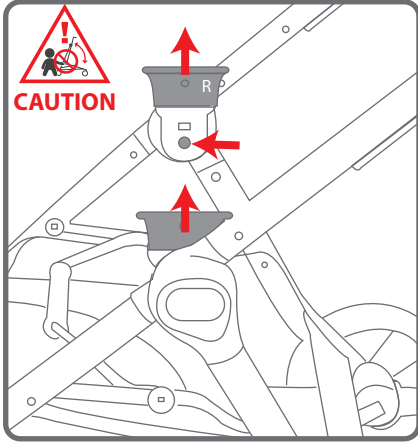


A Align the Click N Go receivers into the stroller frame sockets. Press firmly down on the Click N Go receivers until you hear a 'click' which indicates the receivers have locked into the stroller frame sockets. Pull up on the Click N Go receivers to ensure they are locked into the frame sockets. The receivers are marked with right (R) and left (L) inside and it will fit one orientation only.



BABY CAPSULE

INSTALLING AND REMOVING THE CLICK N GO RECEIVERS



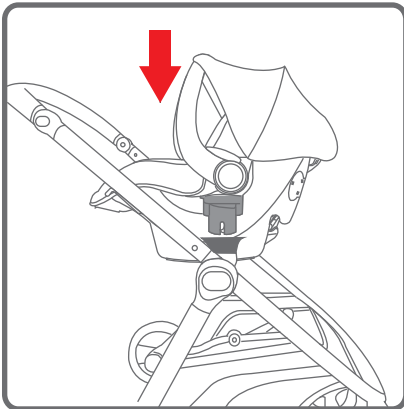
- B** To remove the Click N Go receivers, press in and hold the button on the inside of the receiver and pull up the receivers out of the frame sockets.

ATTACHING THE UNITY BABY CAPSULE TO THE FRAME

IMPORTANT NOTE:

ALWAYS REMOVE YOUR BABY CAPSULE BEFORE FOLDING.

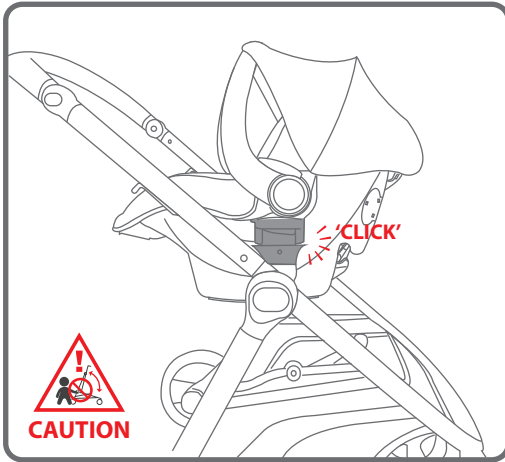
PLEASE NOTE: Ensure the baby is secured in the baby capsule with the harness at all times. Refer to the baby capsule instructions regarding placing and securing your baby in the baby capsule.



- A** Lock the stroller brake. Insert the adaptors on the baby capsule into the receivers on the stroller frame.

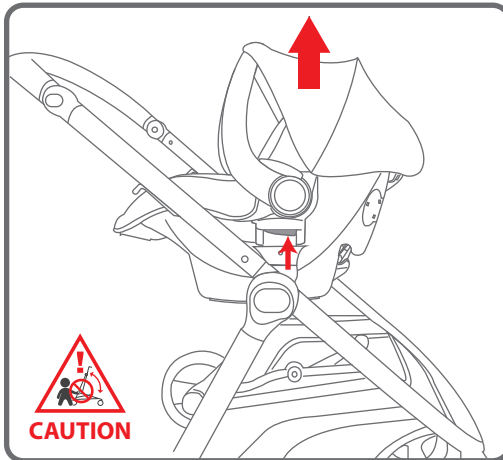
BABY CAPSULE

ATTACHING THE UNITY BABY CAPSULE TO THE FRAME



- B** Push down on the baby capsule until a 'click' is heard which indicates the adaptors on the baby capsule have locked into the receivers. Pull up on the baby capsule to ensure that it is securely locked onto the stroller frame.

REMOVING THE UNITY BABY CAPSULE FROM THE FRAME



- A** Lock the stroller brake. Squeeze both release levers on the Click & Go connectors at the same time and support the weight of the baby capsule. Lift and remove the baby capsule from the stroller frame.

CARE AND MAINTENANCE

- To prolong the life of your stroller keep it clean and do not leave it in the direct sunlight or in the car boot for extended periods of time.
- Removable fabric covers and trims may be cleaned using warm water with a household soap or mild detergent. Allow it to dry fully, preferably away from the direct sunlight.
- Non removable fabric covers and trims may be spot cleaned using a damp sponge with soap or a mild detergent. Allow it to dry completely before folding or storing it away.
- In some climates the covers and trims may be affected by mould and mildew. To help prevent this occurring, do not fold or store the product if it is damp or wet. Always store the product in a well ventilated area.
- When using your stroller at the beach - completely clean your stroller afterwards to remove the sand and salt from the mechanisms and wheel assembly. Sand and salt will cause premature wear and corrosion.
- If there are compression marks on the tyres - Use a domestic hair dryer to gently warm (DO NOT OVERHEAT) the tyre and the compression marks should slowly disappear.
- Always check parts regularly for tightness of screws, nuts, and other fasteners - tighten if required. To maintain the safety of your nursery product, seek prompt repairs for bent, torn, worn or broken parts.

THIS PRODUCT IS NOT INTENDED FOR COMMERCIAL USE.

Steelcraft™

BRITAX CHILDCARE PTY. LTD A Britax International company.
(Incorporated in Victoria) A.B.N. 55 006 773 600
99 Derby Road, Sunshine, Victoria 3020, Australia
Phone: (03) 9288 7288 Fax: (03) 9311 5798

CUSTOMER SERVICE
1300 303 330 - Australia 0508 688 822 - New Zealand

Due to our continuing program of development, Britax reserves the right to alter the specifications, colour or design without any further notice.

The Steelcraft trademark is the property of Britax Childcare Pty.Ltd - Australia.

The Britax trademark is the property of Britax Childcare Holdings Limited - UK.

Visit the Britax website at: www.britax.com.au or email us at au-custserv@britax.com

Due to the variations in the style and design of our products the illustrations used in this instruction booklet are generic.

This product is designed to comply with Australian and New Zealand standard AS/NZS2088:2013 "Prams and Strollers - Safety Requirements."

©2017 Copyright Britax Childcare Pty. Ltd. Australia

www.britax.com.au

Art No. 4002128